



# O.S. SPEED R2104 (1C600)

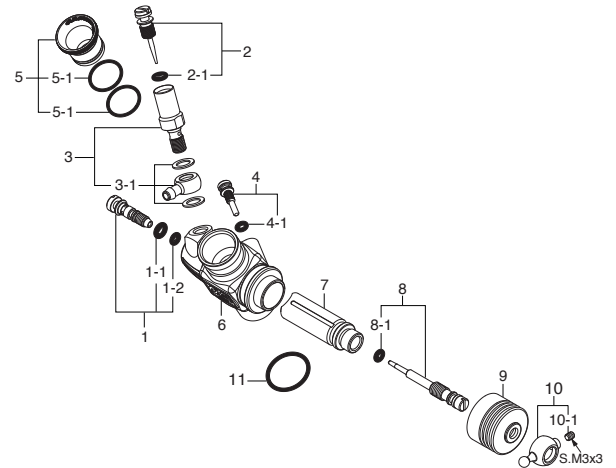
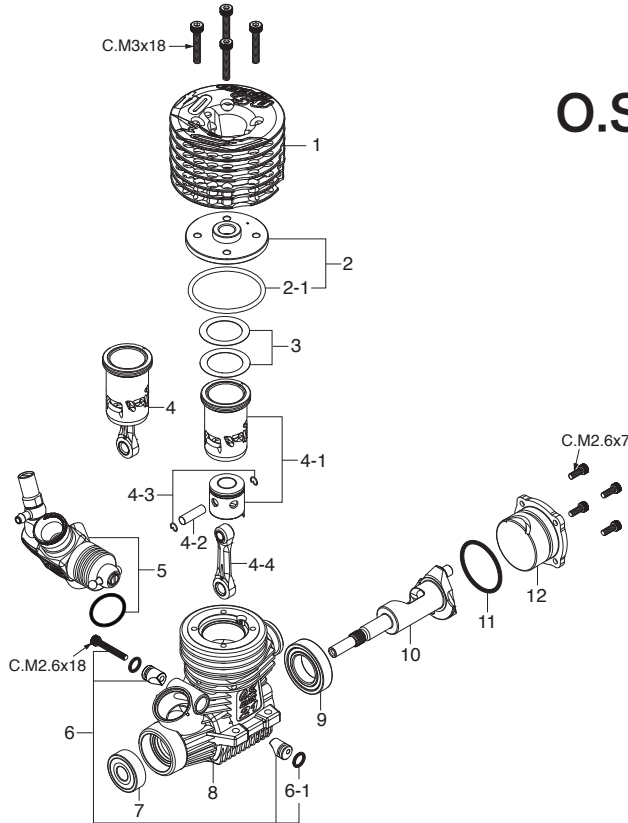
## TYPE 21M2(B) (2A081001)

# O.S. SPEED R2104 Combo Set

(1C601)

TR01 EFRA2098(T-2080SCII) COMPLETE SET

TR01 EFRA2098(T-2080SC) & MR02



### CAP SCREW SETS (10pcs./set)

Code No.	Size	Pcs. used in an engine
79871020	M2.6x7	Cover Plate Retaining Screw (4pcs.)
79871055	M2.6x18	Carburetor Retainer Retaining Screw (1pc.)
79871180	M3x18	Cylinder Head Retaining Screw (4pcs.)

\*Type of screw

C...Cap Screw B...Binding Screw M...Oval Fillister-Head Screw  
F...Flat Head Screw T...Tapping Screw N...Round Head Screw S...Set Screw

No.	Code No.	Description
* 1	2C604000	Outer Head OSSPEED R2104
* 2	2C604100	Inner Head OSSPEED R2104
	2-1	2BN04180 Inner Head "O" Ring (S-32) (RED)
	3	2A004160 Head Gasket Set (0.1mm / 0.15mm) OSSPEED R2101
* 4	2C603010	Built-Up Parts Set OSSPEED R2104
* 4-1	2C603000	Cylinder & Piston Assembly OSSPEED R2104
	4-2	22016000 Piston Pin 21XZ-R
	4-3	2AP17000 O.S. SPEED Piston Pin Retainer 2 (6pcs.)
	4-4	23755024 Connecting Rod w/piston pin retainers (3pcs.) OSSP R2102,21XZ-GT
	5	2A081001 Carburetor Complete (Type 21M2(B))
	6	23981740 Carburetor Retainer Assembly 21E,21H,21J
	6-1	24881824 "O" Ring (2pcs.) (7B)
	7	23731000 Crankshaft Ball Bearing (Front) 21VZ,VG,30VG,28XZ
	8	2A001000 Crankcase OSSPEED R2101
	9	23730020 Crankshaft Ball Bearing (Rear) 21V-SPEC,28XZ,30VG
* 10	2C602000	Crankshaft OSSPEED R2104
	11	23107100 Cover Gasket (S-22) 21XZ,30VG,35AX
	12	2A007000 Cover Plate OSSPEED R2101
		71642070 T Series Plug RP7
		Exhaust Seal Ring
		Flywheel Collet
		22884250 Dust Cap Set (ø3,ø16,ø18 1pc. each)

\* marked parts are available only for limited period (one year after finishing the production).

### COMBO SET

Code No.	Description
72106852	TR01 EFRA2098(T-2080SCII) Complete Set
72106851	TR01 EFRA2098(T-2080SCI) Tuned Silencer Assembly
72106042	Joint Spring (3pcs.)
	Exhaust Seal Ring
72106490	MR02 Exhaust Header Pipe Assembly
72101272	Exhaust Header Pipe Spring (2pcs.)
	Exhaust Seal Ring

No.	Code No.	Description
1	22082600	Mixture Control Valve Assembly (21M) 21XZ-R
1-1	46066319	"O" Ring (L) (2pcs.) P-3
1-2	22781800	"O" Ring (S) (2pcs.) 10D,10F,1H-3H,20E
2	22082970	Needle Assembly (21M) 21XZ-R
2-1	46066319	"O" Ring (L) (2pcs.) P-3
3	22082940	Needle Holder Assembly (21M) 21XZ-R
3-1	22082950	No.15 Universal Nipple Assembly
4	22848160	Throttle Stop Screw (21J)
4-1	27881820	"O" Ring (S) (2pcs.) (S-3)
5	71533085	Carburetor Reducer (8.5mm Red) ALUMINUM
5-1	22615000	"O" Ring (1pc.) 2A-3A,20C,20D
6	22082110	Carburetor Body 21M(B)
7	22082200	Slide Valve (21M) 21XZ-R
8	2A081610	Metering Needle Assembly R2101
8-1	27881820	"O" Ring (S) (2pcs.) (S-3)
9	23981520	Dust Cover (21,30VG) 21E,21F,21J
10	23781400	Ball Link No.3
10-1	26381501	Set Screw (1pc.)
11	29015019	Carburetor Rubber Gasket 20E,60F,60MC,70D

### O.S. SPEED GENUINE PARTS & ACCESSORIES

Code No.	Description
71801110	Flywheel Collet (2pcs.)
22826140	Exhaust Seal Ring (2pcs.)
22826145	Exhaust Seal Ring (10pcs.)