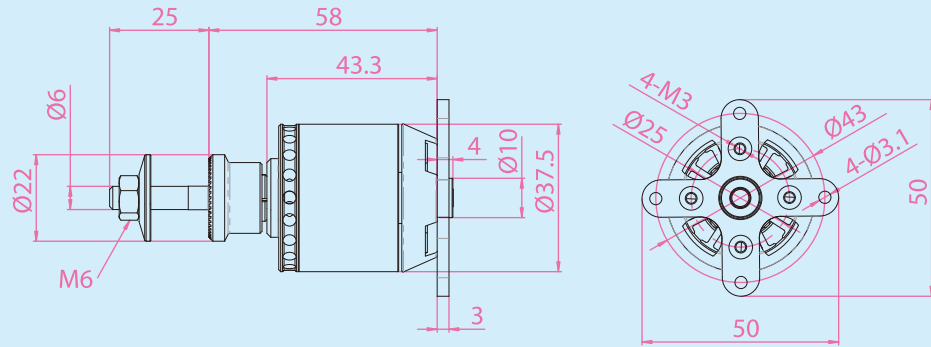


Dimensions (mm)

O.S.MOTOR OMA-3820-1200

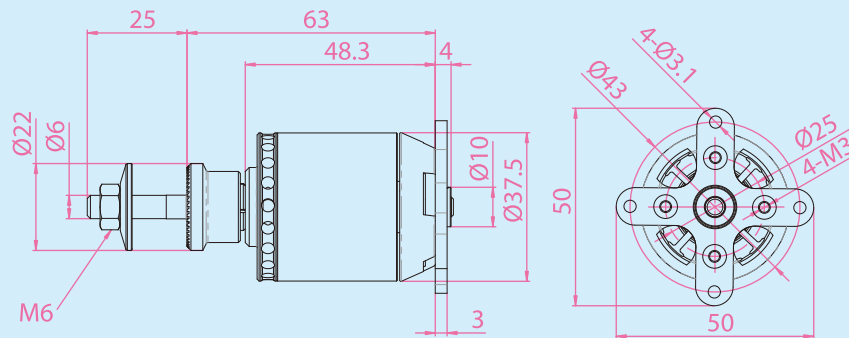
Shaft diameter (mm)	Φ5.0
Shaft length (mm)	11.5
Weight (g)	155
Lead wire length (mm)	90
Male connector (mm)	Φ3.5



Dimensions (mm)

O.S.MOTOR OMA-3825-750

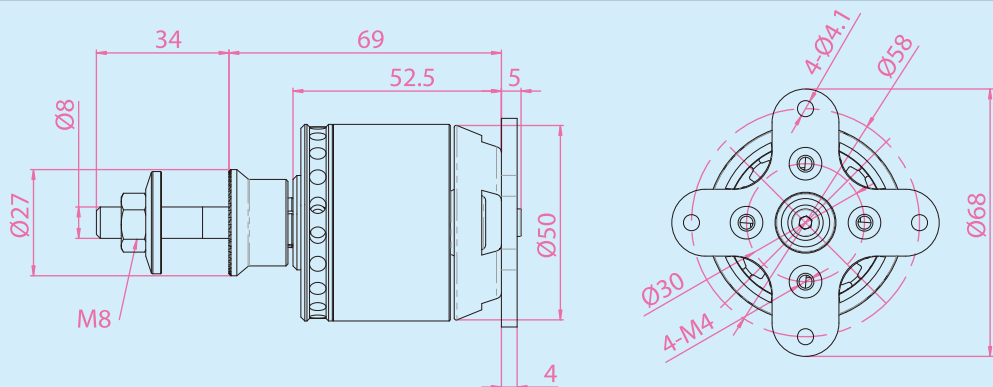
Shaft diameter (mm)	Φ5.0
Shaft length (mm)	11.5
Weight (g)	190
Lead wire length (mm)	90
Male connector (mm)	Φ3.5



Dimensions (mm)

O.S.MOTOR OMA-5020-490

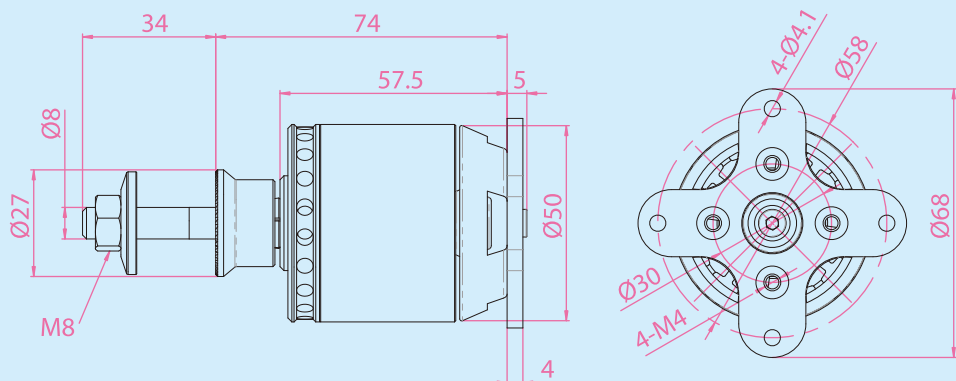
Shaft diameter (mm)	Φ6.0
Shaft length (mm)	11.5
Weight (g)	350
Lead wire length (mm)	110
Male connector (mm)	Φ4.0



Dimensions (mm)

O.S.MOTOR OMA-5025-375

Shaft diameter (mm)	Φ6.0
Shaft length (mm)	11.5
Weight (g)	405
Lead wire length (mm)	110
Male connector (mm)	Φ4.0



Items	Rated power (W)	Rated voltage (V)	Rated current (A)	Maximum current (10sec.) (A)	No-load current (A)	Phase resistance (mΩ)	Maximum efficiency (%)	KV	Poles
OMA-3820-1200	440	11.1~14.8	30~40	75	1.9	21.4	85 or more	1200	14
OMA-3825-750	590	14.8~18.5	35~40	75	2.0	31.0	85 or more	750	14
OMA-5020-490	1110	18.5~22.2	50~60	90	1.5	23.0	85 or more	490	14
OMA-5025-375	1550	25.9~29.6	50~60	90	2.0	27.5	85 or more	375	14