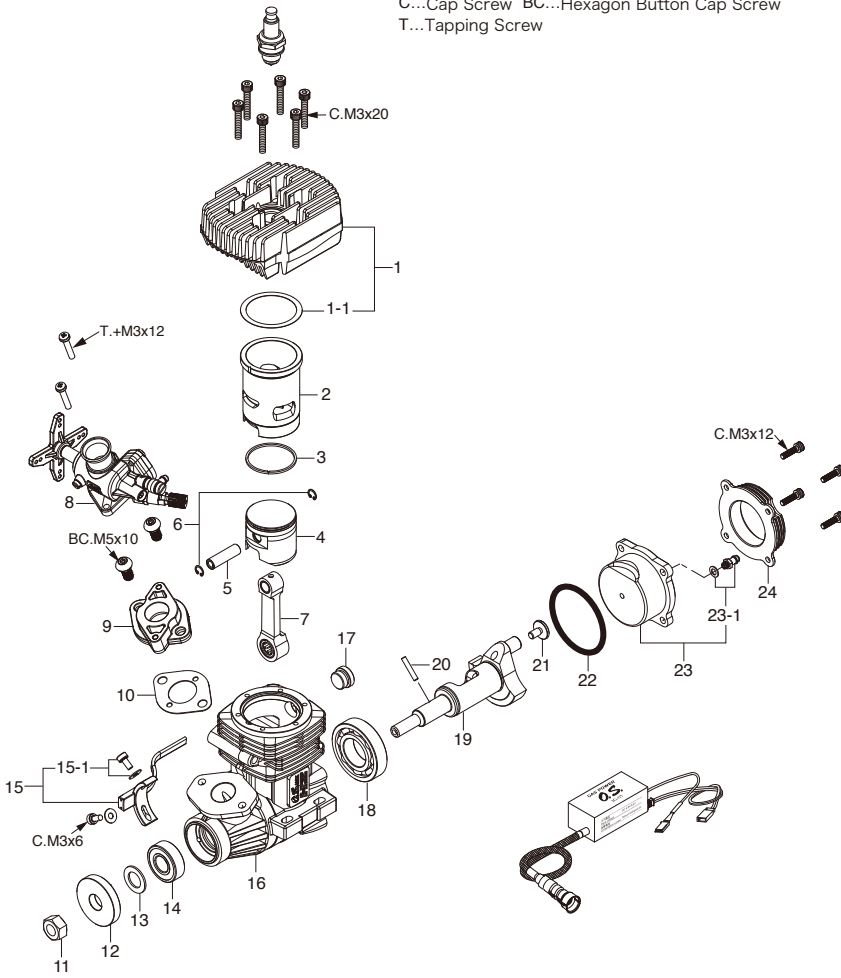


GT15HZ 600 ENGINE EXPLODED VIEW & PARTS LIST

* Type of Screw
 C...Cap Screw BC...Hexagon Button Cap Screw
 T...Tapping Screw

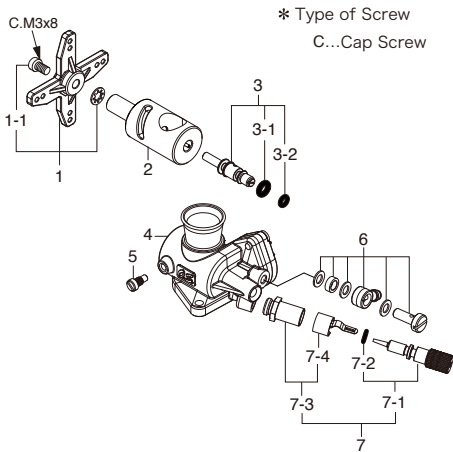


No.	Code No.	Description
1	28154000	Heatsink Head
1-1	29061406	Head Gasket (0.2mm)
2	28153100	Cylinder Liner
3	28153400	Piston Ring
4	28153201	Piston
5	26606008	Piston Pin
6	28117020	Piston Pin Retainer
7	28155000	Connecting Rod
8	28181020	Carburetor Complete (61HA)
9	28169470	Thermo Insulator
10	49415000	Carburetor Gasket (2pcs.)
11	23210007	Propeller Nut
12	28158000	Drive Hub
13	46120000	Thrust Washer
14	26731010	Ball Bearing (F)
15	74002320	Rotation Sensor
15-1	74002321	Rotation Sensor Retaining Screw Set (2pcs.)
16	28171000	Crankcase
17	28151300	Crankcase Plug
18	29030001	Ball Bearing (R)
19	28172000	Crankshaft
20	44408100	Drive Pin
21	28152100	Crank Pin Stop Screw
22	27414020	Cover Gasket
23	28177000	Cover Plate
23-1	22681953	Nipple No.1
24	29077100	Crankcase Heatsink
	74002610	Ignition Module (IG-05)
	71669010	Spark Plug CM-6 (Rcexl)
	72508100	Pump Unit (PD-08)
	29067120	Pump Unit Retaining Screw
	72148000	Powerboost Pipe GT15HZ
	29122520	Silencer Retaining Screw (L) C.M4x45 (2pcs.)
	72145010	Exhaust Tube
	72145020	Exhaust Gasket Set (2pcs.)

SCREW SETS (10pcs.)

Code No.	Size	Pcs. used in an engine
79871140	C.M3x12	Cover Plate Retaining Screw (4pcs.)
79871200	C.M3x20	Heatsink Head Retaining Screw (6pcs.)
79860110	T.M3x12	Thermo Insulator Retaining Screw (2pcs.)
79860310	BC.M5x10	Carburetor Retaining Screw (2pcs.)

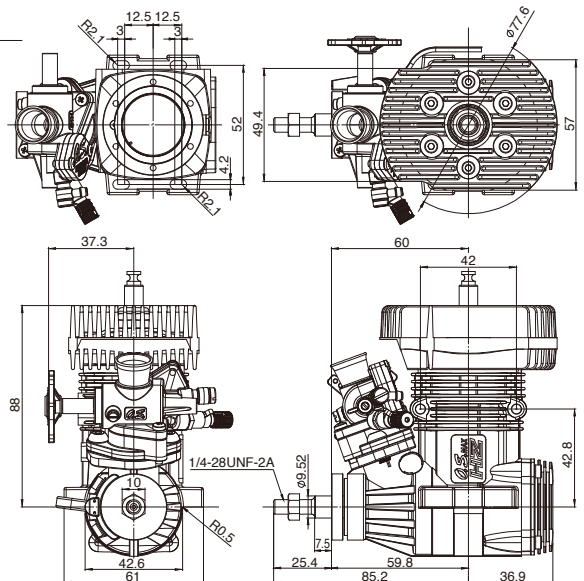
■ CARBURETOR EXPLODED VIEW & PARTS LIST



■ THREE VIEW DRAWING Dimensions (mm)

SPECIFICATIONS

■ Displacement	14.95 cc / 0.912 cu.in.
■ Bore	27.7 mm / 1.091 in.
■ Stroke	24.8 mm / 0.976 in.
■ Output	2.5 ps / 2.47 hp / 14,000 r.p.m.
■ Practical R.P.M.	2,000-16,000 r.p.m.
■ Weight	685 g / 24.17 oz. (Engine) 92.0 g / 3.25 oz. (Ignition module) 197.5 g / 6.97 oz. (PowerBoost Pipe GT15HZ)



No.	Code No.	Description
1	29085140	Throttle Lever Assembly
1-1	79871110	Throttle Lever Retaining Screw (10pcs./set)
2	28181220	Carburetor Rotor
3	28181600	Mixture Control Valve Assembly
3-1	28181920	"O" Ring (L) (2pcs.)
3-2	28181910	"O" Ring (S) (2pcs.)
4	28181110	Carburetor Body
5	45581820	Roter Guide Screw
6	45571110	Universal Nipple L3.5
7	28181900	Needle Valve Assembly
7-1	28181970	Needle Assembly
7-2	28181910	"O" Ring (2pcs.)
7-3	27381940	Needle-valve Holder Assembly
7-4	26711305	Ratchet Spring No.4