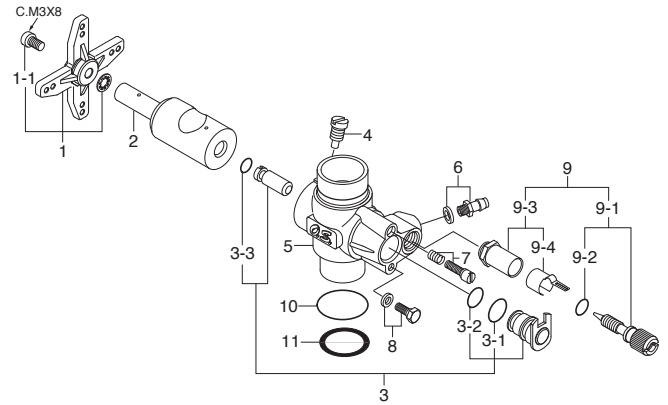
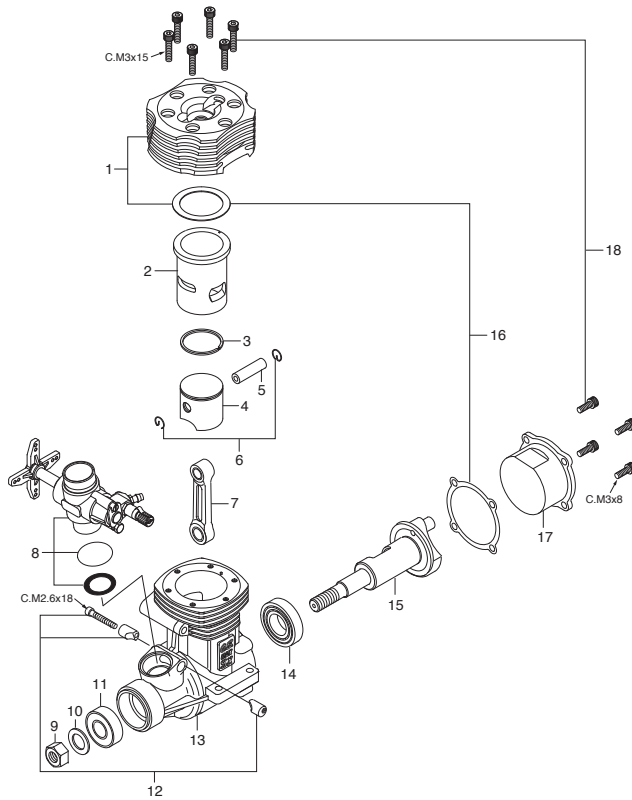


## MAX-50SX-HRING Hyper

(15550)

## TYPE 60LH

(29083020)



\*Type of screw

C...Cap Screw B...Binding Screw M...Oval Fillister-Head Screw

F...Flat Head Screw T...Tapping Screw N...Round Head Screw S...Set Screw

No.	Code No.	Description
1	25204200	Hyper Head (Blue) 50SX-H HYPER
2	25203100	Cylinder Liner 50SX-H,HG
3	25303400	Piston Ring 50SX-H,46FX-H,46SF
4	25203200	Piston 50SX-H,HG
5	25206000	Piston Pin 50SX-H,HG,55AX,BE
6	25217000	Piston Pin Retainer (2pcs.) 50SX-H,HG,55AX
7	25205000	Connecting Rod 50SX-H,HG,55AX,BE
8	29083020	Carburetor Complete (60LH) 50SX-H HYPER
9	23210007	Propeller Nut (1/4-28) 21-61
10	46120000	Thrust Washer 91FX,SX-H,SZ,FT160,FF
11	26731002	Crankshaft Bearing (Front) 40-61,70S,91S
12	23981700	Carburetor Retainer Assembly 21RG,RZ-B,XM,91SZ
13	25201000	Crankcase 50SX-H,HG
14	25830010	Crankshaft Bearing (Rear) 50SX-H,55AX,HZ
15	25202000	Crankshaft 50SX-H
16	25214000	Gasket Set 50SX-H,HG
17	25207001	Cover Plate 50SX-H,HG
18	25613000	Screw Set 50SX-H,40-46FX
	71608001	Glow Plug No.8

No.	Code No.	Description
1	29085140	Throttle Lever Assembly 40L 61B-P2
1-1	22826131	Throttle Lever Retaining Screw (2pcs.) No.4
2	29083200	Carburetor Rotor 60K,60LH,60L
3	29083600	Mixture Control Valve Assembly 60LH,60L
3-1	27881810	"O" Ring (L) (2pcs.) (S-7) C14,86,60MC
3-2	27881800	"O" Ring (S) (2pcs.) (S-6) C14,86,60MC
3-3	27881820	"O" Ring (L) (2pcs.) (S-3)
4	45581820	Rotor Guide Screw 20C,60MC,70D
5	29083110	Carburetor Body (60LH) 50SX-H HYPER
6	22681953	Fuel Inlet (No.1)
7	27881330	Mixture Control Screw 40E,60LH,60MC
8	27681340	Mixture Control Valve Stopper Assembly 60LH,40E
9	27981900	Needle Valve Assembly 60B,60MC,60K
9-1	27981910	Needle Assembly 20M,60B,60MC
9-2	24981837	"O" Ring (2pcs.)
9-3	27381940	Needle Valve Holder Assembly 20C,60U,70D,7H
9-4	26711305	Ratchet Spring No.4
10	29015019	Carburetor Rubber Gasket 20E,60F,60MC,70D
11	23818190	Carburetor Sealing Washer 20A,B,50SX-H