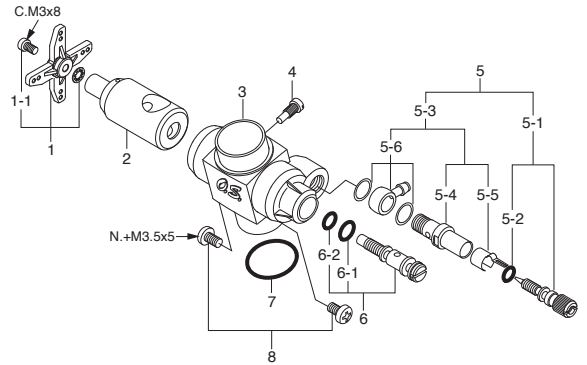
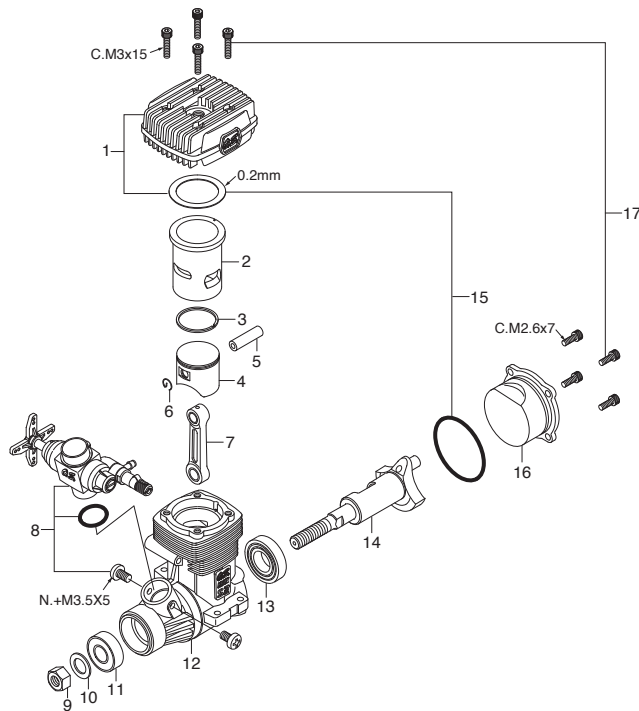


MAX-37SZ-HRING

(14000)

TYPE 20M

(23483000)



* Type of screw

C...Cap Screw B...Binding Screw M...Oval Fillister-Head Screw
F...Flat Head Screw T...Tapping Screw N...Round Head Screw S...Set Screw

CAP SCREW SETS (10pcs./sets)

Code No.	Size	Pcs. used in an engine
79871020	M2.6x7	Cover Plate Retaining Screw (4pcs.)
79871110	M3x8	Throttle Lever Retaining Screw (1pc.)
79871150	M3x15	Cylinder Head Retaining Screw (4pcs.)

No.	Code No.	Description
1	23414300	Heatsink Head 37SZ-H
2	23413100	Cylinder Liner37SZ-H
3	25403400	Piston Ring 37SZ-H,40SF
4	23413200	Piston 37SZ-H
5	23406000	Piston Pin 37SZ-H,32SX,SX-H
6	24517000	Piston Pin Retainer (2pcs.) 30VG,37SZ,46VX
7	23415000	Connecting Rod 37SZ-H
8	23483000	Carburetor Complete (20M) 37SZ-H
9	23210007	Propeller Nut (1/4-28) 21-61
10	22620003	Thrust Washer 37SZ,21-32
11	22831000	Crankshaft Bearing (Front) 25FX,32SX,37SZ
12	23411000	Crankcase 37SZ-H
13	23730000	Crankshaft Bearing (Rear) 37SZ,21RZ
14	23412000	Crankshaft 37SZ-H
15	23424000	Gasket Set 37SZ-H
16	23427000	Cover Plate 37SZ-H
17	23411300	Screw Set 37SZ-H
	29085140	Throttle Lever Assembly 40L 61B-P2
	71608001	Glow Plug No.8

No.	Code No.	Description
1	29085140	Throttle Lever Assembly 40L 61B-P2
1-1	22826131	Throttle Lever Retaining Screw (2pcs.) No.4
2	23483200	Carburetor Rotor (20M) 37SZ-H
3	23483100	Carburetor Body (20M) 37SZ-H
4	45581820	Rotor Guide Screw 20C,60MC,70D
5	27081900	Needle Valve Assembly 20M,60K,60MC
5-1	27981910	Needle Assembly 20M,60B,60MC
5-2	24981837	"O" Ring (2pcs.)
5-3	46181940	Needle Valve Holder Assembly FT,FF
5-4	46181941	Needle Valve Holder FT,FF,FR,91FX
5-5	26711305	Ratchet Spring No.4
5-6	46181950	Fuel Inlet (w/Gasket) 20M,FT,FF,FR,91FX
6	21285600	Mixture Control Valve Assembly 10C,20M
6-1	46066319	"O" Ring (L) (2pcs.) P-3
6-2	22781800	"O" Ring (S) (2pcs.) 10D,10F,1H-3H,20E
7	22615000	Carburetor Rubber Gasket 2A-3A,20C,20D
8	23081706	Carburetor Retaining Screw (2pcs.) 25-46LA,49PI