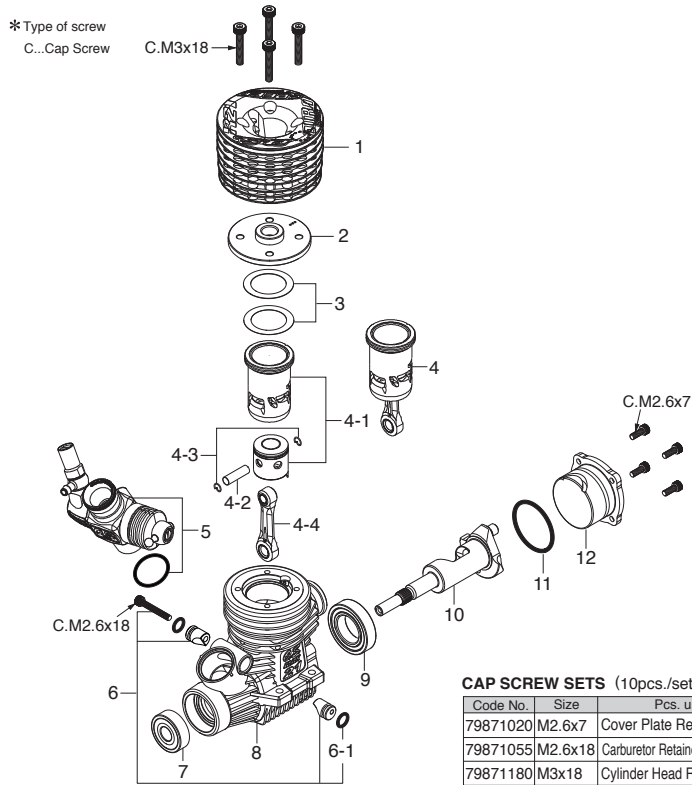


## ■ O.S.SPEED R21 EuroSpec. ENGINE EXPLODED VIEW

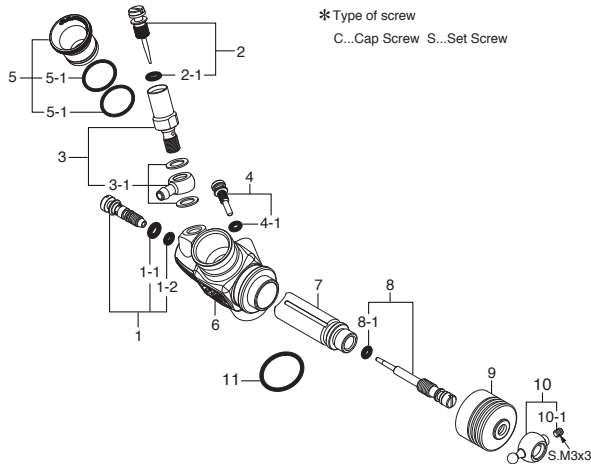


## ■ ENGINE PARTS LIST

No.	Code No.	Description
* 1	2C404000	Outer Head
2	2A004100	Inner Head
3	2A004160	Head Gasket Set (0.1mm / 0.15mm)
* 4	2C403010	Built-Up Parts Set
* 4-1	2C403000	Cylinder & Piston Assembly
4-2	22016000	Piston Pin
4-3	2AP17000	O.S. SPEED Piston Pin Retainer 2 (6pcs.)
4-4	23755024	Connecting Rod w/piston pin retainers (3pcs.)
5	2A081001	Carburetor Complete (Type 21M2(B))
6	23981740	Carburetor Retainer Assembly
6-1	24881824	"O" Ring
7	23731000	Crankshaft Ball Bearing (Front)
8	2A001000	Crankcase
9	23730020	Crankshaft Ball Bearing (Rear)
10	2A002000	Crankshaft
11	23107100	Cover Gasket
12	2A007000	Cover Plate
	71642070	Glow Plug RP7
	22826140	Exhaust Seal Ring (2pcs.)
	71801110	O.S. SPEED Flywheel Collet (2pcs.)
	22884254	O.S. SPEED Dust Cap Set For 12-30 Class 3mm (2pcs.)/16mm (2pcs.)/18mm (1pc)

\* marked parts are available only for limited period (one year after finishing the production).

## ■ CARBURETOR EXPLODED VIEW

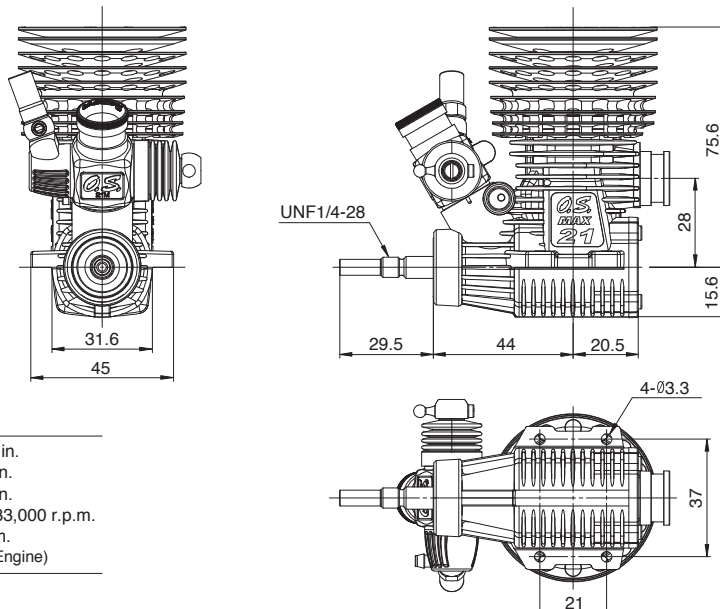


## ■ CARBURETOR PARTS LIST

No.	Code No.	Description
1	22082600	Mixture Control Valve Assembly
1-1	46066319	"O" Ring (L) (2pcs.)
1-2	22781800	"O" Ring (S) (2pcs.)
2	22082970	Needle Assembly
2-1	46066319	"O" Ring (2pcs.)
3	22082940	Needle Holder Assembly
3-1	22082950	No.15 Universal Nipple Assembly
4	22848160	Throttle Stop Screw
4-1	27881820	"O" Ring (S) (2pcs.)
5	71533085	Carburetor Reducer (8.5mm Red)
5-1	22615000	"O" Ring (1pc.)
6	22082110	Carburetor Body
7	22082200	Slide Valve
8	2A081610	Metering Needle Assembly
8-1	27881820	"O" Ring (S) (2pcs.)
9	23981520	Dust Cover
10	23781400	Ball Link No.3
10-1	26381501	Set Screw (1pc.)
11	29015019	Carburetor Rubber Gasket

## ■ THREE VIEW DRAWING

Dimensions (mm)



## SPECIFICATIONS

■ Displacement	3.49 cc / 0.213 cu.in.
■ Bore	16.08mm / 0.633 in.
■ Stroke	17.20mm / 0.677 in.
■ Output	2.8 ps / 2.76 hp / 33,000 r.p.m.
■ Practical R.P.M.	4,000-45,000 r.p.m.
■ Weight	340g / 11.99 oz. (Engine)

The specifications are subject to alteration for improvement without notice.

**O.S. ENGINES** MFG.CO.LTD.

6-15 3-Chome Imagawa Higashiumiyoshi-ku  
Osaka 546-0003, Japan TEL. (06)6702-0225  
http://www.os-engines.co.jp FAX. (06)6704-2722