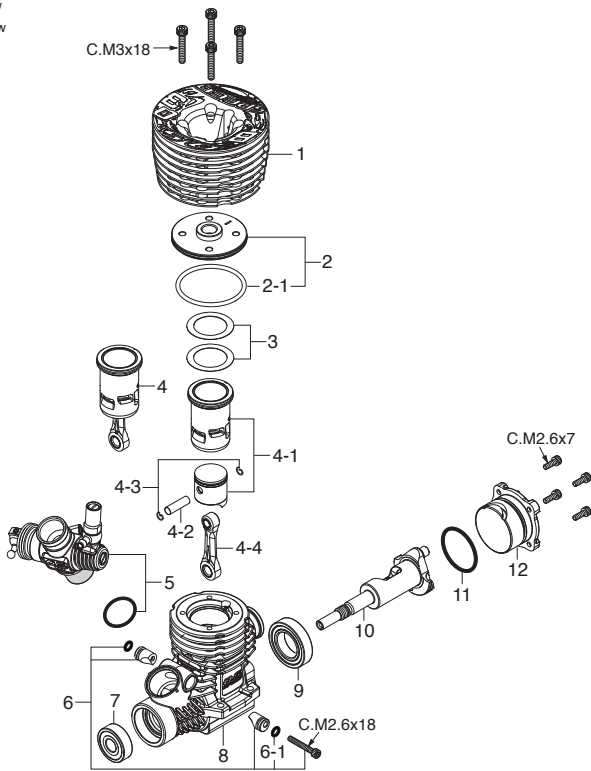


■ O.S.SPEED B2103 TypeR ENGINE EXPLODED VIEW

* Type of screw
C...Cap Screw



■ ENGINE PARTS LIST

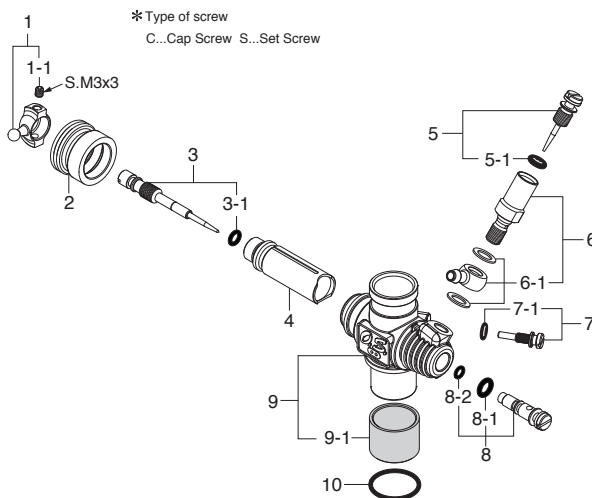
No.	Code No.	Description
* 1	2BP04000	Outer Head
* 2	2BN04100	Inner Head
* 2-1	2BN04180	Inner Head "O" Ring (RED)
3	2A004160	Head Gasket (0.1mm, 0.15mm)
* 4	2BP03010	Built-up Parts Set
* 4-1	2BP03000	Cylinder & Piston Assembly
4-2	22016000	Piston Pin
4-3	21817010	Piston Pin Retainer 4mm (6pcs.)
4-4	22425003	Connecting Rod (w/piston pin retainers 3pcs.)
* 5	2BP81000	Carburetor Complete Type 22E(B)
6	23981740	Carburetor Retainer Assembly
6-1	24881824	"O" Ring (2pcs.)
7	23731020	Ball Bearing (Front)
* 8	2BN01000	Crankcase
9	23730050	Ceramic Bearing (Rear)
* 10	2BN02000	Crankshaft
11	23107100	Cover Gasket
* 12	2BN07000	Cover Plate
	71641300	Glow Plug P3
	22826140	Exhaust Seal Ring
	71533261	Carburetor Reducer ϕ 6II (RED) w/ "O" Ring (2pcs.)
	71533865	Carburetor Reducer ϕ 6.5II (RED) w/ "O" Ring (2pcs.)
	22884250	Dust Cap Set (ϕ 3, ϕ 16, ϕ 18)

* marked parts are available only for limited period
(one year after finishing the production).

CAP SCREW SETS (10pcs./set)

Code No.	Size	Pcs. used in an engine
79871020	M2.6x7	Cover Plate Retaining Screw (4pcs.)
79871055	M2.6x18	Carburetor Retainer Retaining Screw (1pc.)
79871180	M3x18	Cylinder Head Retaining Screw (4pcs.)

■ CARBURETOR EXPLODED VIEW



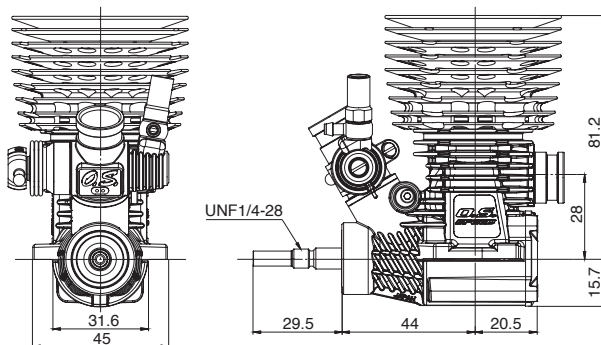
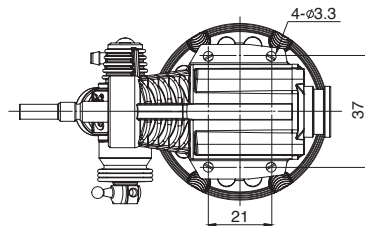
■ CARBURETOR PARTS LIST

No.	Code No.	Description
* 1	2BN81430	Ball Link No.6
1-1	26381501	Retaining Screw
* 2	2BN81520	Dust Cover
3	23818340	Metering Needle Assembly
3-1	27881820	"O" Ring (2pcs.)
4	22848210	Slide Valve
5	23618197	Needle Assembly
5-1	46066319	"O" Ring (2pcs.)
6	22082940	Needle Holder Assembly
6-1	22082950	Fuel Inlet (No.15)
7	22848160	Throttle Stop Screw
7-1	27881820	"O" Ring (2pcs.)
8	23781600	Mixture Control Valve Assembly
8-1	46066319	"O" Ring (L) (2pcs.)
8-2	22781800	"O" Ring (S) (2pcs.)
* 9	2BP81100	Carburetor Body (w/Thermo Insulator)
9-1	2AN81101	Thermo Insulator
10	29015019	Carburetor Rubber Gasket

■ THREE VIEW DRAWING Dimensions (mm)

SPECIFICATIONS

■ Displacement	3.49 cc / 0.213 cu.in.
■ Bore	16.27 mm / 0.641 in.
■ Stroke	16.80 mm / 0.661 in.
■ Output	2.68 ps / 2.64 hp / 34,000 r.p.m.
■ Practical R.P.M.	4,000-42,000 r.p.m.
■ Weight	352 g / 12.42 oz. (Engine)



O.S. ENGINES MFG.CO.LTD.

6-15 3-Chome Imagawa Higashiumiyoshi-ku
Osaka 546-0003, Japan TEL. (06)6702-0225
http://www.os-engines.co.jp FAX. (06)6704-2722