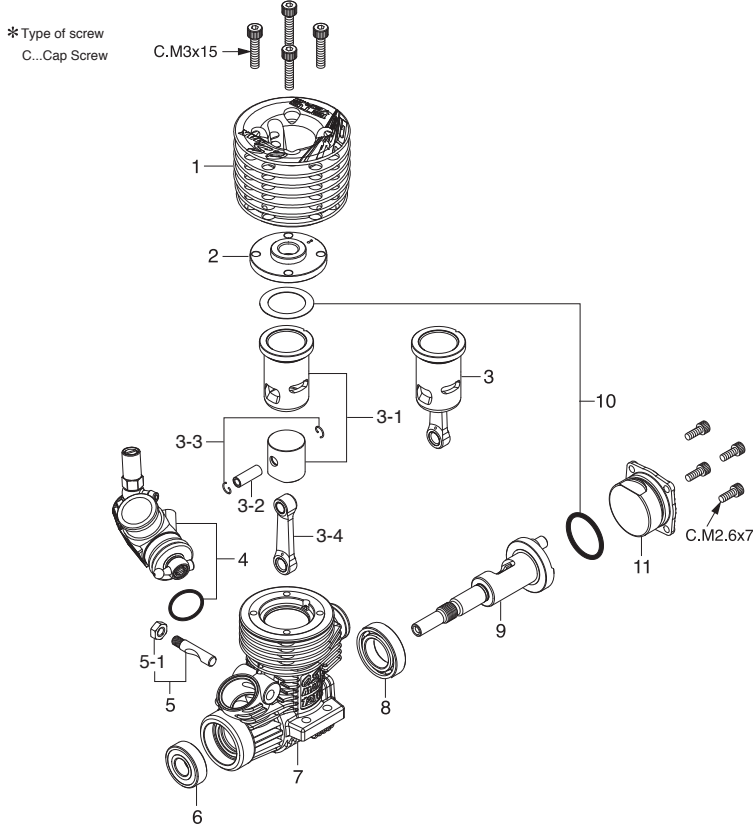


■ MAX-12TG VerIII ENGINE EXPLODED VIEW



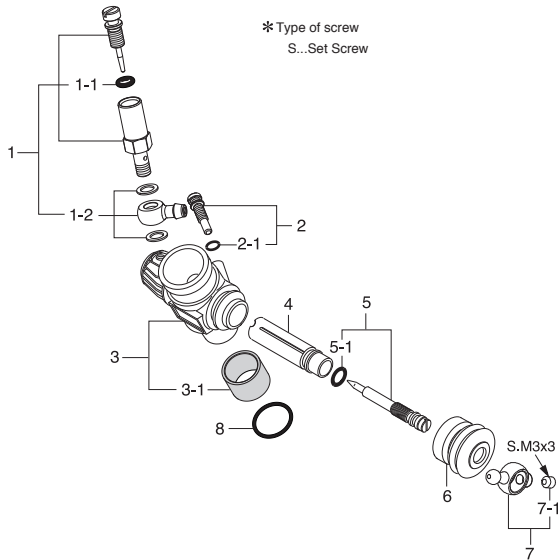
■ ENGINE PARTS LIST

No.	Code No.	Description
1	2AK04000	Outer Head
2	21674100	Inner Head
3	21413020	Built-Up Parts Set
3-1	21413000	Cylinder & Piston Assembly
3-2	21656000	Piston Pin
3-3	21817010	O.S.SPEED Piston Pin Retainer 4mm (6pcs.)
3-4	21415001	Connecting Rod w/piston pin retainers (3pcs.)
4	21418010	Carburetor Complete (Type 12D2)
5	25381701	Carburetor Retainer Assembly
5-1	23325340	M3.5x0.60 Nut (2pcs.)
6	21630500	Crankshaft Ball Bearing (Front)
7	21411010	Crankcase
8	21931010	Crankshaft Ball Bearing (Rear)
9	21412000	Crankshaft
10	21411400	Gasket Set
11	21417000	Cover Plate
	71641400	Glow Plug T-P4
	21427210	O.S. SPEED Exhaust Seal Ring 12 (10pcs.)
	22884254	O.S. SPEED Dust Cap Set For 12-30 Class 3mm (2pcs.)/16mm (2pcs.)/18mm (1pc)

CAP SCREW SETS (10pcs./set)

Code No.	Size	Pcs. used in an engine
79871020	M2.6x7	Cover Plate Retaining Screw (4pcs.)
79871150	M3x15	Cylinder Head Retaining Screw (4pcs.)

■ CARBURETOR EXPLODED VIEW



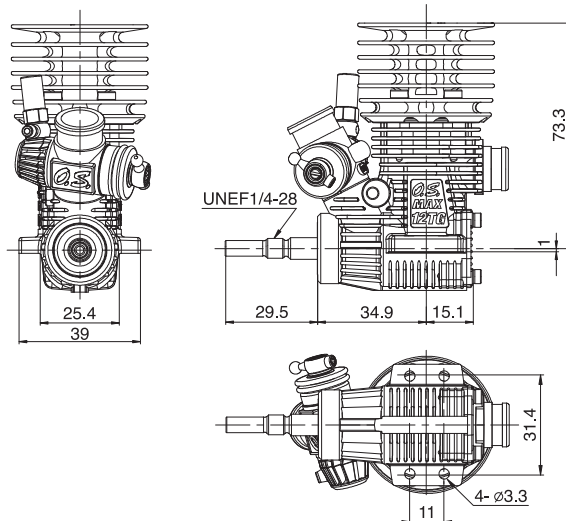
■ CARBURETOR PARTS LIST

No.	Code No.	Description
1	21681900	Needle Valve Assembly
1-1	27881820	"O" Ring (2pcs.)
1-2	2AP81950	No.21 Universal Nipple Assembly
2	21982620	Throttle Stop Screw
2-1	22781800	"O" Ring (S) (2pcs.)
3	21418110	Carburetor Body
3-1	21982900	Thermo Insulator
4	21682200	Slide Valve
5	21538500	Metering Needle Assembly
5-1	22781800	"O" Ring (S) (2pcs.)
6	21982520	Dust Cover
7	23818430	Ball Link No.5
7-1	26381501	Set Screw
8	22615000	Carburetor Rubber Gasket

■ THREE VIEW DRAWING Dimensions (mm)

SPECIFICATIONS

■ Displacement	2.10 cc / 0.128 cu.in.
■ Bore	13.8 mm / 0.543 in.
■ Stroke	14.0 mm / 0.551 in.
■ Output	0.9 ps / 0.88 hp / 30,000 r.p.m.
■ Practical R.P.M.	5,000-32,000 r.p.m.
■ Weight	216 g / 7.62 oz. (Engine)



**O.S. ENGINES** MFG.CO.LTD.

6-15 3-Chome Imagawa Higashiumiyoshi-ku  
Osaka 546-0003, Japan TEL. (06)6702-0225  
http://www.os-engines.co.jp FAX. (06)6704-2722