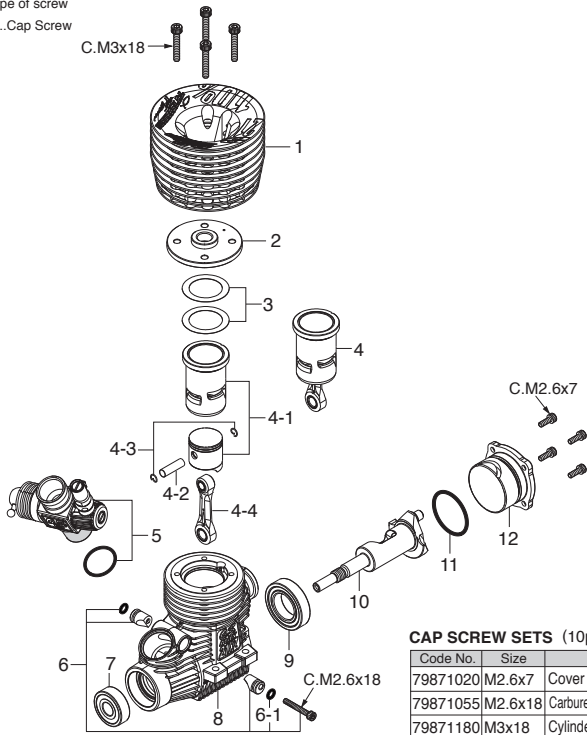


■ O.S.SPEED 21XZ-B TY110% ENGINE EXPLODED VIEW & PARTS LIST

* Type of screw
C...Cap Screw



CAP SCREW SETS (10pcs./set)

Code No.	Size	Pcs. used in an engine
79871020	M2.6x7	Cover Plate Retaining Screw (4pcs.)
79871055	M2.6x18	Carburetor Retainer Retaining Screw (1pc.)
79871180	M3x18	Cylinder Head Retaining Screw (4pcs.)

No.	Code No.	Description
1	2A204000	Outer Head
2	22424104	Inner Head
3	22014162	Head Gasket Set (0.1mm,0.2mm)
4	22423110	Built-up Parts Set
4-1	22423100	Cylinder & Piston Assembly
4-2	22016000	Piston Pin
4-3	21817010	Piston Pin Retainer 4mm (6pcs.)
4-4	22425003	Connecting Rod w/piston pin retainers (3pcs.)
5	2AN81002	Carburetor Complete (Type 21J3(B))
6	23981740	Carburetor Retainer Assembly
6-1	24881824	"O" Ring (2pcs.)
7	23731020	Crankshaft Ball Bearing (Front)
8	22421050	Crankcase
9	23730050	Ceramic Ball Bearing (Rear)
10	22422030	Crankshaft
11	23107100	Cover Gasket
12	22427100	Cover Plate
	71641300	Glow Plug P3
	22826145	Exhaust Seal Ring 21 (10pcs.)
	71533270	Carburetor Reducer 7mm (RED) w/ "O" Ring (2pcs.)
	22615000	"O" Ring (1pc.)
	22884254	Dust Cap Set 12-30 (3mmx2,16mmx2,18mmx1)

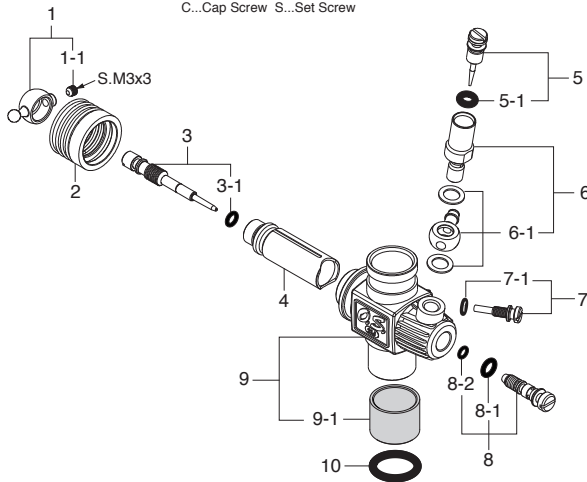
This engine is the limited edition. All the special parts assembled in the engine are not available as spare parts. Use standard parts when you replace them.

The following are special parts for the limited edition.

•Outer head with special engraving •Crankshaft with special engraving
•7mm carburetor restrictor •Crankcase with special engraving

■ CARBURETOR EXPLODED VIEW & PARTS LIST

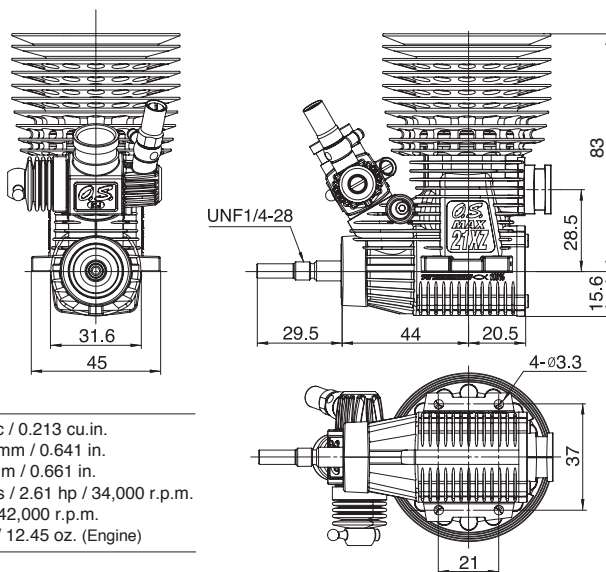
* Type of screw
C...Cap Screw S...Set Screw



No.	Code No.	Description
1	23781400	Ball Link No.3
1-1	26381501	Retaining Screw
2	23981520	Dust Cover
3	23818340	Metering Needle Assembly
3-1	27881820	"O" Ring (2pcs.)
4	22848210	Slide Valve
5	23618197	Needle Assembly
5-1	46066319	"O" Ring (2pcs.)
6	22082940	Needle Holder Assembly
6-1	22082950	Fuel Inlet (No.15)
7	22848160	Throttle Stop Screw
7-1	27881820	"O" Ring (2pcs.)
8	22082600	Mixture Control Valve Assembly
8-1	46066319	"O" Ring (L) (2pcs.)
8-2	22781800	"O" Ring (S) (2pcs.)
9	2AN81100	Carburetor Body 21J3(B) (w/Thermo Insulator)
9-1	2AN81101	Thermo Insulator
10	29015019	Carburetor Rubber Gasket

■ THREE VIEW DRAWING

Dimensions (mm)



SPECIFICATIONS

■ Displacement	3.49 cc / 0.213 cu.in.
■ Bore	16.27 mm / 0.641 in.
■ Stroke	16.8 mm / 0.661 in.
■ Output	2.65 ps / 2.61 hp / 34,000 r.p.m.
■ Practical R.P.M.	4,000-42,000 r.p.m.
■ Weight	353 g / 12.45 oz. (Engine)

O.S. ENGINES MFG.CO.LTD.

6-15 3-Chome Imagawa Higashiumiyoshi-ku
Osaka 546-0003, Japan TEL. (06)6702-0225
http://www.os-engines.co.jp FAX. (06)6704-2722