

No.	Code No.	Description
1	21504600	Heatsink Head
2	21503050	Cylinder & Piston Assembly
3	21806000	Piston Pin
4	21817000	Piston Pin, etainer(2pcs.)
5	21255000	Connecting od
6	21286000	Carburetor Complete (ype 10C)
7	21481020	Carburetor Complete (ype 10E-)
8	21481700	Carburetor, etainer
9	20810007	Propeller Nut (Not included in 15CV- X())
10	21408000	Drive Hub (Not included in 15CV- X())
11	22631020	Crankshaft Ball Bearing (Front)
12	21501030	Crankcase
13	21230020	Crankshaft Ball Bearing (ear)
14	21252040	Crankshaft
15	21252050	Crankshaft (15CV- X())
16	21514010	Gasket et
17	21421200	arting haft
18	21421300	ear Adaptor
19	21313030	crew et
19-1	73003000	No.5 ecoil rarter Assembly
19-2	73003100	No.5 ecoil rarter Body
19-2	73003200	No.5 One-way Clutch
	72404000	Engine Mount pacer
	71608001	Glow Plug No.8
	72403200	uper Air Cleaner 102 (W/3 filter elements)
	72403210	102 Cleaner Body
	72403120	101,102 Filter Elements (6pcs.)

O.S. GENUINE ACCESSORIES & ACCESSORIES

Code No.	Description
72010400	15CV- Hyper Head et (for standard plug)
72010200	15CV- Hyper Head et (for_ type plug)
72103110	Exhaust Header Pipe (for kyosho super10)
72103140	Exhaust Header Pipe (for kyosho pider & HPI Nitro)
72103160	Exhaust Header Pipe (for kyosho V-one, V-one)
72103130	Exhaust Header Pipe (for_ amiya_ G10)
72103120	Exhaust Header Pipe (for_ amiya_ GX)
72103150	Exhaust Header Pipe (for MUGEN M.X)
72103310	uper Joint_ ube 15
72103030	_ -1030_ uned ilencer For 1/10 off-road buggy and scale car.
72103031	_ -1031_ uned ilencer Exhaust outlet pipe is located on right side of silencer.
72103032	_ -1032_ uned ilencer Is located on left side of silencer IFMA regulation legal.
73300305	Dust Cap et Ø3 (5pcs.) (for Carburetor Nipple)
73300712	Dust Cap et Ø7 (3pcs.) (for_ uned ilencer)
73301012	Dust Cap et Ø10 (3pcs.) (for Carburetor)
79871040	M2.6x12 Cap crew et (10pcs.)
79871060	M3.5x8 Cap crew et (10pcs.)
71521000	Long ocket Wrench With Plug Grip

MAX 15CV-RX

applied With 10E: automatic Carburettor (11640)
 applied With 10C automatic Carburettor (11641)

MAX-15CV-RX(S)

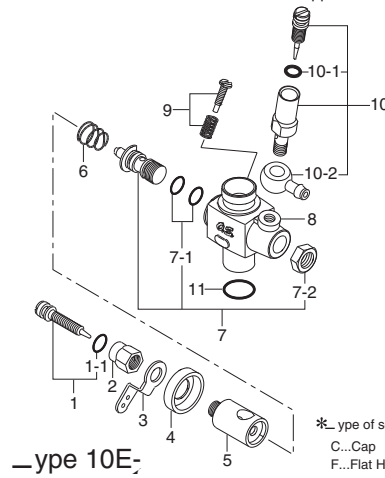
applied With 10E: automatic Carburettor (11642)

TYPE 10E-R

(21481020)

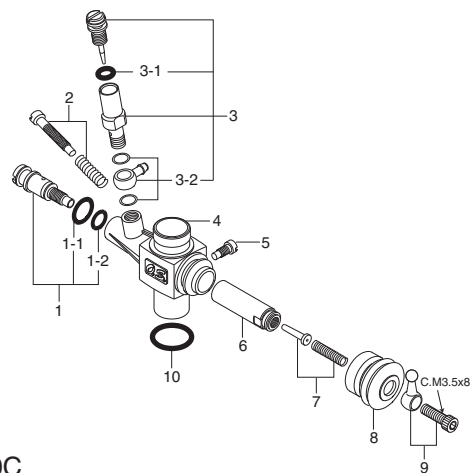
TYPE 10C

(21286000)



ype 10E:

No.	Code No.	Description
1	21481600	Mixture Control crew
1-1	27881820	"O", ing (2pcs.)
2	21481420	_ hrottle Lever Fixing Nut
3	22681419	_ hrottle Lever
4	21283210	Dust Cover
5	21481200	Carburetor, otor
6	22481506	, otor pring
7	21283962	Nozzle Assembly
7-1	24881824	"O", ing
7-2	21283961	Locknut
8	21481120	Carburetor Body
9	22681310	_ hrottle top crew
10	21481900	Needle Valve Assembly
10-1	27881820	"O", ing (2pcs.)
10-2	21481950	Fuel Inlet (No.12)
11	22615000	Carburetor, ubber Gasket



ype 10C

No.	Code No.	Description
1	21285600	Mixture Control Valve Assembly
1-1	46066319	"O", ing(L) (2pcs.)
1-2	22781800	"O", ing() (2pcs.)
2	21285640	_ hrottle top crew
3	21285901	Needle Valve Assembly
3-1	27881820	"O", ing (2pcs.)
3-2	21881950	No.14 Universal Nipple Assembly
4	21286100	Carburetor Body
5	21285220	lide Valve Guide crew
6	21286200	lide Valve
7	21286400	Metering Needle Assembly
8	21881320	Dust Cover
9	23818420	Ball Link No.4
10	22615000	Carburetor, ubber Gasket

he specifications are subject to alteration for improvement without notice.