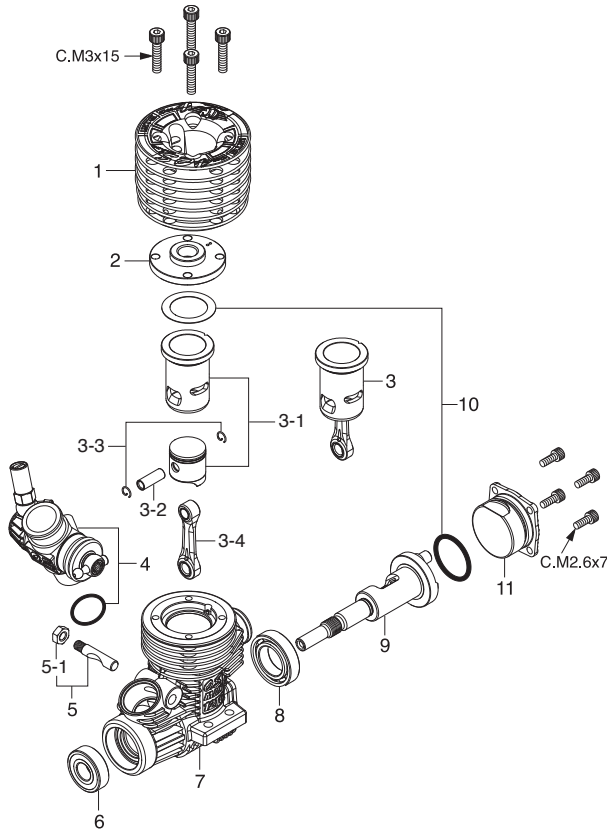


MAX-12TG Ver.IV (1D200) TYPE 12D2 (21418010)

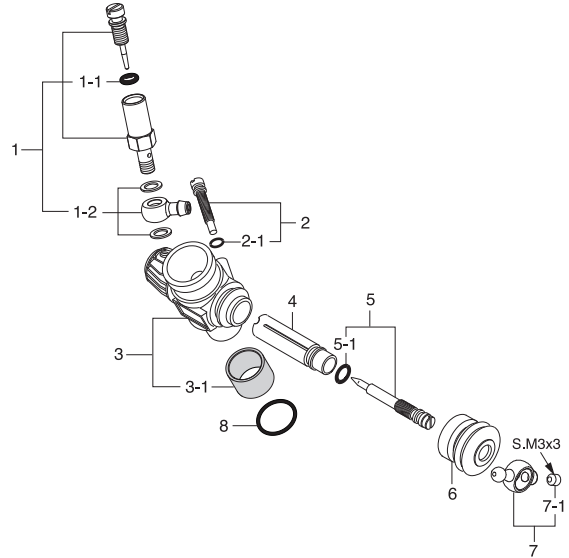
MAX-12TG Ver.IV Combo Set (1D201)

W / TT02II EFRA2690 COMPLETE SET
TT02 EFRA2690(T-1080SC L52) & MT02



CAP SCREW SETS (10pcs./set)

Code No.	Size	Pos. used in an engine
79871020	M2.6x7	Cover Plate Retaining Screw (4pcs.)
79871150	M3x15	Cylinder Head Retaining Screw (4pcs.)



* Type of screw

C...Cap Screw B...Binding Screw M...Oval Fillister-Head Screw
F...Flat Head Screw T...Tapping Screw N...Round Head Screw S...Set Screw

No.	Code No.	Description
1	2D204000	Outer Head 12TG Ver.IV
2	21674100	Inner Head 12XZ
3	2D203100	Built-Up Parts Set MAX-12TG Ver.IV
3-1	2D203000	Cylinder & Piston Assembly 12TG Ver.IV
3-2	21656000	Piston Pin 12TZ,12TG
3-3	2AP17000	O.S.SPEED Piston Pin Retainer 2 (6pcs.)
3-4	2A405001	Connecting Rod w/piston pin retainers 2 (3pcs.)
4	21418010	Carburetor Complete (Type 12D2) 12TG Ver.3
5	25381701	Carburetor Retainer Assembly 12TZ,18TZ,12TG
5-1	23325340	M3.5x0.60 Nut (2pcs.) (For SILENCER)
6	21630500	Crankshaft Ball Bearing (Front) 12
7	2D201000	Crankcase 12TG Ver.IV
8	21931010	Crankshaft Ball Bearing (Rear) 12TZ,18TZ,18TM
9	21412000	Crankshaft 12TG-P
10	21411400	Gasket Set 12TG,TG-P,TG-PX,TG-X
11	21417000	Cover Plate 12TG-P,TG
	71641400	T Series Plug P4
	21682950	Dust Cap Set (3mmx1,16mmx2)
		Exhaust Seal Ring

No.	Code No.	Description
1	21681900	Needle Valve Assembly 12F-B
1-1	27881820	"O" Ring (2pcs.) (S-3)
1-2	2AP81950	No.21 Universal Nipple Assembly
2	21982620	Throttle Stop Screw 12D,11H,11K
2-1	22781800	"O" Ring (S) (2pcs.) 10D,10F,1H-3H,20E
3	21418110	Carburetor Body (12D2) 12TG Ver.2
3-1	21982900	Thermo Insulator 11H,11K,11L
4	21682200	Slide Valve (12F-B) OSSPEED 12XZ
5	21538500	Metering Needle Assembly 12D,11H
5-1	22781800	"O" Ring (S) (2pcs.) 10D,10F,1H-3H,20E
6	21982520	Dust Cover 12D,11H,11K
7	23818430	Ball Link No.5
7-1	26381501	Set Screw (1pc.)
8	22615000	Carburetor Rubber Gasket 2A-3A,20C,20D

COMBO SET

Code No.	Description
72106980	TT02II EFRA2690 (T-1080SC L52) Complete Set
72150010	TT02 EFRA2690 (T-1080SC L52) Tuned Silencer Assembly
72106042	Joint Spring (3pcs.)
	Exhaust Seal Ring
72150020	MT-02 (M1007SC) Exhaust Header Pipe Assembly
	Exhaust Header Pipe Spring
	Exhaust Seal Ring

O.S. SPEED GENUINE PARTS & ACCESSORIES

Code No.	Description
72106172	Exhaust Header Pipe Spring (77mm 2pcs.)
21427200	Exhaust Seal Ring (2pcs.)
21427210	Exhaust Seal Ring (10pcs.)