

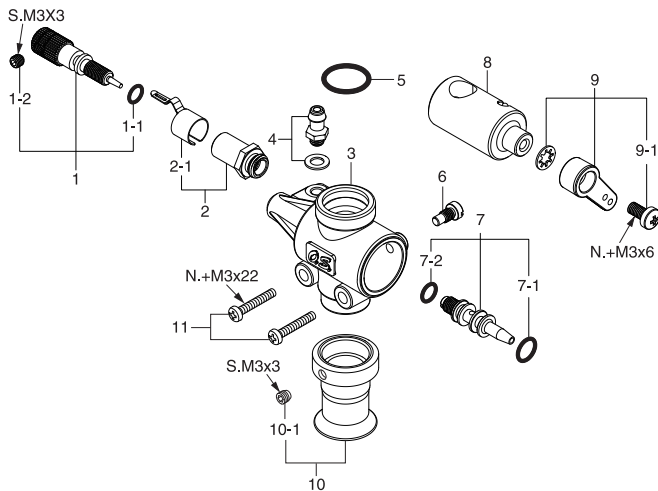
CAP SCREW SETS (10pcs./sets)

Code No.	Size	Pcs. used in an engine
79871020	M2.6x7	Cam Cover Retaining Screw (2pcs.), Intake Manifold Retaining Screw (2pcs.)
79871040	M2.6x12	Rocker Cover Retaining Screw (2pcs.)
79871110	M3x8	Cover Plate Retaining Screw (4pcs.)
79871150	M3x15	Rocker Support Retaining Screw (1pc.)
79871200	M3x20	Cylinder Head Retaining Screw (5pcs.)

No.	Code No.	Description
1	44804200	Rocker Cover
2	45761600	Rocker Arm Retainer (2pcs.)
3	45961410	Rocker Support (1pc.)
4	47161100	Rocker Arm (1pc.)
5	45061202	Tappet Adjusting Screw (1pair)
6	45960400	Split Cotter (2pcs.)
7	45960310	Valve Spring Retainer (1pc.)
8	45960210	Valve Spring (1pc.)
9	44850000	Intake Valve (1pc.)
10	44851000	Exhaust Valve (1pc.)
11	44804100	Cylinder Head (W/Gasket)
11-1	44714100	Cylinder Head Gasket (1pc.)
12	44868000	Intake Manifold (1pc.)
13	44881000	Carburetor Complete (Type 60RA)
14	45903400	Piston Ring
15	45903200	Piston
16	45906000	Piston Pin
17	44805000	Connecting Rod
18	46103100	Cylinder Liner
19	44807000	Cover Plate
20	44802000	Crankshaft
21	45630000	Crankshaft Ball Bearing (Rear)
22	44801000	Crankcase
23	45231100	Camshaft Ball Bearing (1pc.)
24	45962000	Camshaft
25	44801100	Cam Cover
26	44066000	Push Rod (2pcs.)
27	44866100	Push Rod Cover (1pc.)
28	24881824	Push Rod Cover "O" Ring (2pcs.)
29	45564000	Cam Follower (2pcs.)
30	26731002	Crankshaft Ball Bearing (Front)
31	46120000	Thrust Washer
32	44808000	Drive Hub (W/woodruff key)
32-1	29008219	Woodruff Key
33	45910100	Lock Nut Set
34	44825000	F-5030 Silencer Assembly
34-1	44825100	Silencer Body
34-2	44825400	Assembly Screw
34-3	44625410	Silencer Gasket (1pc.)
34-4	22681957	Pressure Nipple (No.7)
34-5	44825200	Exhaust Header Pipe Assembly
34-6	45626030	Exhaust Header Pipe Nut M11 (1pc.)
	71615009	Glow Plug Type F

TYPE 60RA

(44881000)



No.	Code No.	Description
1	44881970	Needle Assembly
1-1	24981837	"O" Ring (2pcs.)
1-2	26381501	Set Screw
2	27381940	Needle Valve Holder Assembly
2-1	26711305	Ratchet Spring
3	44082100	Carburetor Body
4	22681953	Fuel Inlet (No.1)
5	46115000	Carburetor Rubber Gasket (1pc.)
6	45581820	Rotor Guide Screw
7	45582300	Mixture Control Valve Assembly
7-1	46066319	"O" Ring (L) (2pcs.)
7-2	24881824	"O" Ring (S) (2pcs.)
8	44082200	Carburetor Rotor
9	27881400	Throttle Lever Assembly
9-1	22081313	Throttle Lever Retaining Screw
10	44881300	Velocity Stack
10-1	26381501	Set Screw
11	45581700	Carburetor Retaining Screw (2pcs.)

* Type of screw

C...Cap Screw M...Oval Fillister-Head Screw

F...Flat Head Screw N...Round Head Screw S...Set Screw