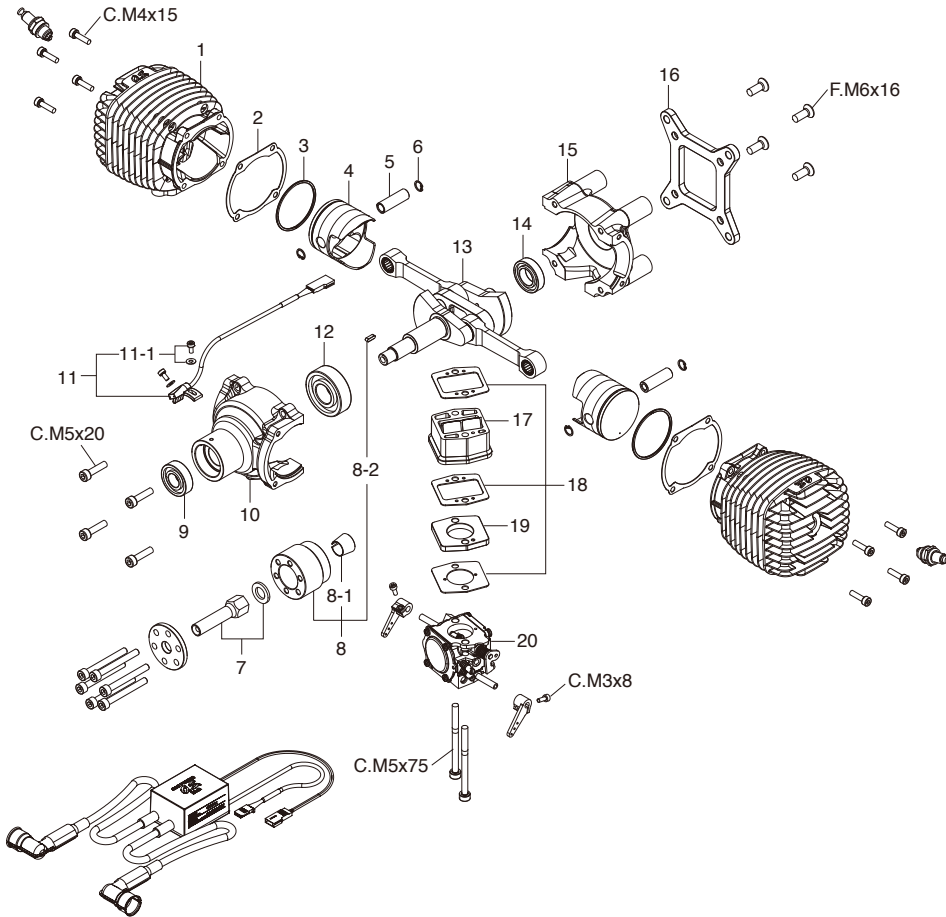


ENGINE EXPLODED VIEW

* Type of screw

C...Cap Screw F...Flat Head Screw



ENGINE PARTS LIST

No.	Code No.	Description
1	28603100	Cylinder Block
2	28614000	Cylinder Gasket
3	28603401	Piston Ring
4	28603200	Piston
5	29706000	Piston Pin
6	29717000	Piston Pin Retainer
7	28602100	Pilot Shaft
8	4AB08000	Drive Spacer
8-1	29708100	Taper Collet
8-2	29708200	Parallel Key
9	29332000	Ball Bearing (F)
10	4AB01000	Front Housing
11	74002A20	Rotation Sensor
11-1	74002321	Rotation Sensor Retaining Screw Set (2pcs.)
12	28631000	Ball Bearing (M)
13	4AB02000	Crankshaft Assembly
14	26730005	Ball Bearing (R)
15	4AB01800	Rear Housing
16	4AB28000	Radial Motor Mount
17	4AB18000	Reed Valve Assembly
18	4AB15000	Carburetor Gasket Set (3pcs./set)
19	4AB21000	Carburetor Spacer
20	4AB81000	Carburetor Complete (HS-324A)
	4AB81410	Throttle Lever (No.8)
	74002A10	Ignition Module (IG-10)
	71669010	Spark Plug CM-6 (Rcexl)
	79871550	Cap Screw M5x50 (10pcs./set)
	4AB09000	Propeller Washer

CAP SCREW SETS / FLAT HEAD SCREW SET (10pcs./sets)

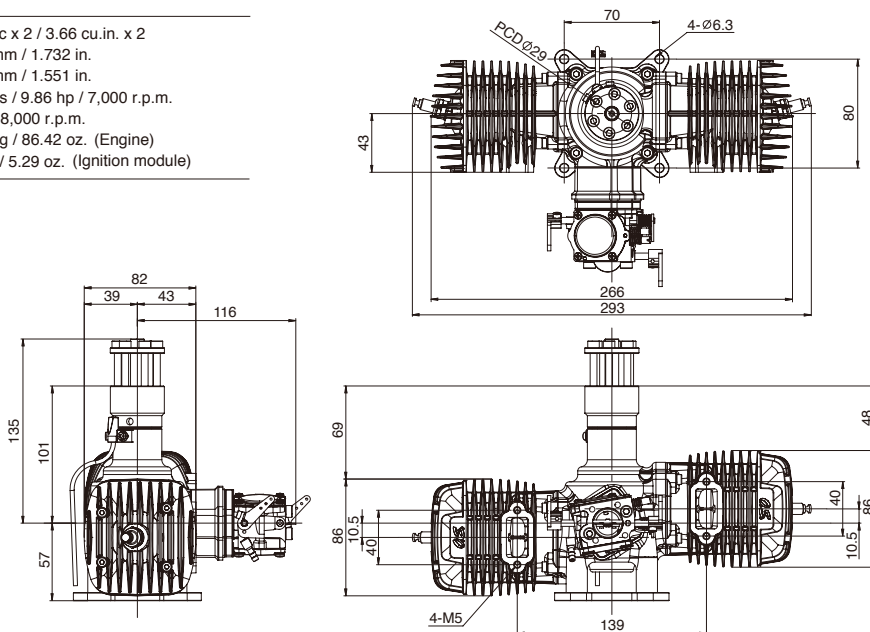
Code No.	Size	Pcs. used in an engine
79871110	M3x8	Throttle Valve Lever Retaining Screw (2pcs.)
79871415	M4x15	Cylinder Block Retaining Screw (8pcs.)
79871520	M5x20	Front Housing Retaining Screw (4pcs.)
79871575	M5x75	Carburetor & Reed valve Retaining Screw (2pcs.)
79875616	M6x16(F)	Radial Motor Mount Retaining Screw (4pcs.)

THREE VIEW DRAWING

Dimensions (mm)

SPECIFICATIONS

■ Displacement	59.9 cc x 2 / 3.66 cu.in. x 2
■ Bore	44.0 mm / 1.732 in.
■ Stroke	39.4 mm / 1.551 in.
■ Output	10.0 ps / 9.86 hp / 7,000 r.p.m.
■ Practical R.P.M.	1,600-8,000 r.p.m.
■ Weight	2,450 g / 86.42 oz. (Engine) 150 g / 5.29 oz. (Ignition module)



O.S. ENGINES MFG.CO.,LTD.

6-15 3-Chome Imagawa Higashiumiyoshi-ku
Osaka 546-0003, Japan TEL. (06) 6702-0225
http://www.os-engines.co.jp FAX. (06) 6704-2722

