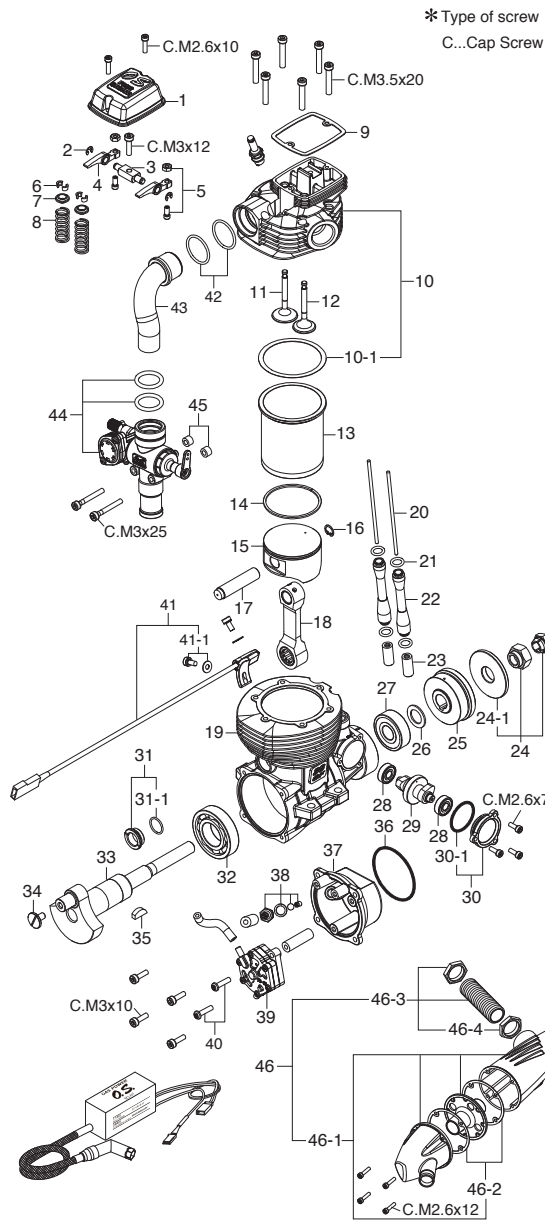


GF30II ENGINE EXPLODED VIEW & PARTS LIST



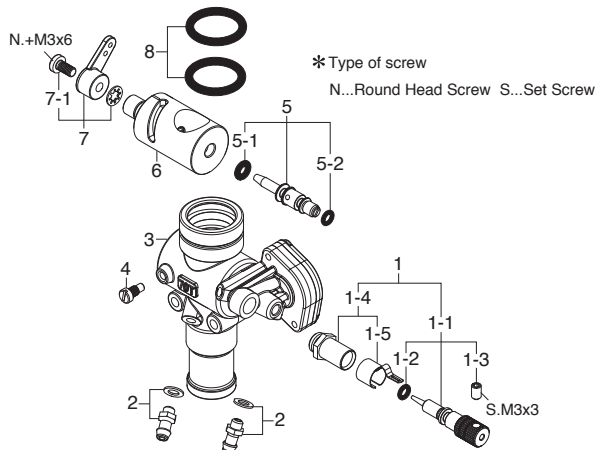
CAP SCREW SETS (10pcs./sets)

Code No.	Size	Pcs. used in an engine
79871020	M2.6x7	Cam Cover Retaining Screw (3pcs.)
79871030	M2.6x10	Rocker Cover Retaining Screw (2pcs.)
79871040	M2.6x12	Silencer Assembly Screw (4pcs.)
79871120	M3x10	Cover Plate Retaining Screw (4pcs.)
79871140	M3x12	Rocker Support Retaining Screw (1pc.)
79871250	M3x25	Carburetor Retaining Screw (2pc.)
79871100	M3.5x20	Cylinder Head Retaining Screw (6pcs.)

No.	Code No.	Description
1	4A004200	Rocker Cover
2	45761600	Rocker Arm Retainer (2pcs./1pair)
3	49464000	Rocker Support
4	42561100	Rocker Arm (1pc.)
5	44561200	Tappet Adjusting Screw (1pair)
6	45560410	Split Cotter (2pcs./1pair)
7	49460400	Valve Spring Retainer (1pc.)
8	49460200	Valve Spring (1pc.)
9	44514300	Rocker Cover Gasket
10	4A004100	Cylinder Head (W/Gasket)
10-1	44514100	Head Gasket (2pc.)
11	49460100	Intake Valve (1pc.)
12	49460110	Exhaust Valve (1pc.)
13	4A003100	Cylinder Liner
14	44503400	Piston Ring
15	4A003200	Piston
16	28317000	Piston Pin Retainer (2pcs.)
17	4A006000	Piston Pin
18	4A005000	Connecting Rod
19	4A001000	Crankcase
20	4A066000	Push Rod (2pcs.)
21	45566310	Push Rod Cover "O" Ring (2pcs.)
22	49466100	Push Rod Cover (1pc.)
23	44564000	Cam Follower (2pcs.)
24	28310000	Lock Nut Set
24-1	28309000	Propeller Washer
25	4A008000	Drive Hub
26	45520000	Thrust Washer
27	29431000	Crankshaft Ball Bearing (Front)
28	45231100	Camshaft Bearing (1pc.)
29	44562000	Camshaft
30	44501100	Cam Cover
30-1	44501110	"O" Ring
31	29701300	Crankcase Plug
31-1	29701310	"O" Ring
32	29030001	Crankshaft Ball Bearing (Rear)
33	4A002000	Crankshaft
34	28152100	Crank Pin Stop Screw
35	45508200	Woodruff Key
36	29061410	Cover Gasket
37	4A007010	Cover Plate
38	49407010	PCV Valve Set
39	72508200	Pump Unit PD-09
40	79871702	Pan Head Screw (N.+M3x12 10pcs.)
41	74002320	Rotation Sensor
41-1	74002321	Rotation Sensor Retaining Screw Set (2pcs.)
42	4A014110	Intake Manifold Gasket (2pcs.)
43	4A069400	Intake Manifold
44	4A082010	Carburetor Complete (Type 70T2)
45	4A069460	Thermo Insulator (2pcs.)
46	49425000	F-6040 Silencer Assembly
46-1	49425100	Silencer Body
46-2	44525110	Silencer Gasket (2pcs.)
46-3	44525200	Exhaust Header Pipe Assembly
46-4	44525210	Exhaust Header Pipe Nut M16 (1pc.)
	74002811	Ignition Module (IG-07)
	71669020	Spark Plug 1/4-32 (Rcexl)

The specifications are subject to alteration for improvement without notice.

Type 70T2 CARBURETOR EXPLODED VIEW & PARTS LIST



No.	Code No.	Description
1	28181900	Needle Valve Assembly
1-1	28181970	Needle Assembly
1-2	28181910	"O" Ring (2pcs.)
1-3	26381501	Set Screw
1-4	27381940	Needle-valve Holder Assembly
1-5	26711305	Ratchet Spring No.4
2	22681953	Fuel Inlet (Nipple No.1)
3	4A082100	Carburetor Body
4	45581820	Roter Guide Screw
5	4A081600	Mixture Control Valve Assembly
5-1	28181920	"O" Ring (L) (2pcs.)
5-2	28181910	"O" Ring (S) (2pcs.)
6	4A081210	Carburetor Rotor
7	27881400	Throttle Lever Assembly
7-1	22081313	Throttle Lever Retaining Screw
8	4A081500	Carburetor Gasket (2pcs.)

The specifications are subject to alteration for improvement without notice.