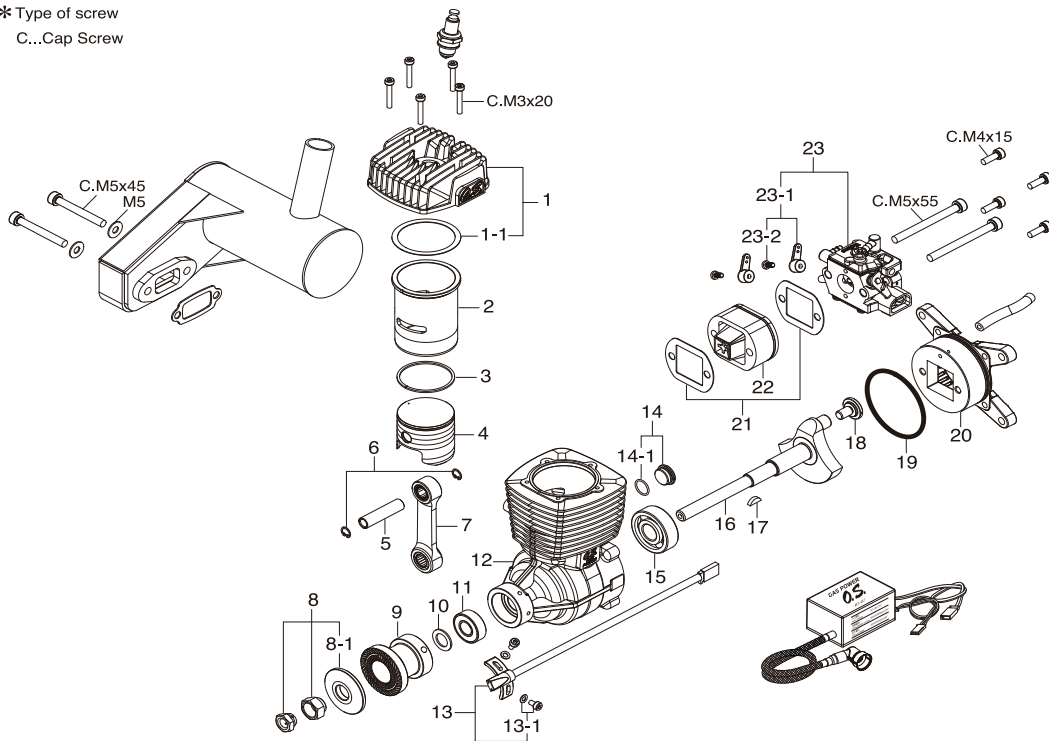


ENGINE EXPLODED VIEW

* Type of screw
C...Cap Screw



CAP SCREW SETS (10pcs./sets)

Code No.	Size	Pcs. used in an engine
79871200	M3x20	Cylinder Head Retaining Screw (5pcs.)
79871415	M4x15	Cover Plate Retaining Screw (4pcs.)
79871555	M5x55	Carburetor & Reed valve Retaining Screw (2pcs.)

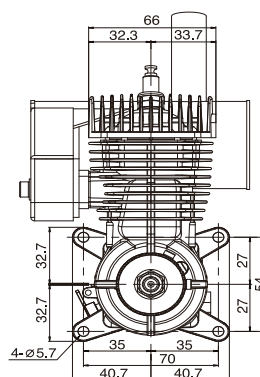
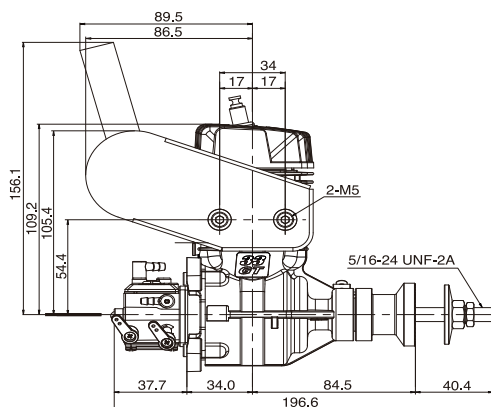
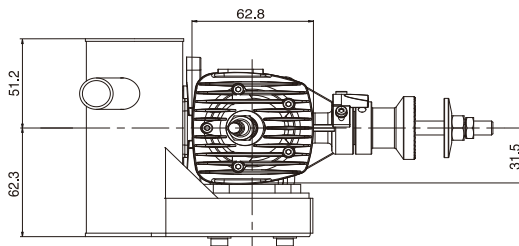
ENGINE PARTS LIST

No.	Code No.	Description
1	28304000	Cylinder Head
1-1	28304160	Head Gasket
2	28303100	Cylinder Liner
3	28303400	Piston Ring
4	28303200	Piston
5	28306010	Piston Pin
6	28317000	Piston Pin Retainer
7	28305000	Connecting Rod
8	28310000	Lock Nut Set
8-1	28309000	Propeller Washer
9	28308000	Drive Spacer
10	46120000	Thrust Washer
11	26731010	Ball Bearing (F)
12	28301000	Crankcase
13	74002320	Rotation Sensor
13-1	74002321	Rotation Sensor Retaining Screw Set (2pcs.)

No.	Code No.	Description
14	29701300	Crankcase Plug
14-1	29701310	"O" Ring
15	28330000	Ball Bearing (R)
16	28302000	Crankshaft
17	29008219	Woodruff Key
18	28302100	Crank Pin Stop Screw
19	29122540	Cover Gasket
20	28307000	Cover Plate
21	28315000	Carburetor & Reed Valve Gasket (2pcs.)
22	28316000	Reed Valve Assembly
23	28381000	Carburetor Complete (WT1024)
23-1	29781360	Choke Arm Assembly (1pc.)
23-2	29781350	N4-40x5 Screw (1pc.)
	74002310	Ignition Module (IG-02)
	71669010	Spark Plug CM-6 (Rcexl)
	28325000	E-5030 Silencer
	28314300	Exhaust Gasket
	79871545	Cap Screw M5x45 (10pcs./set)

THREE VIEW DRAWING

Dimensions (mm)



The specifications are subject to alteration for improvement without notice.

SPECIFICATIONS

■ Displacement	32.98 cc / 2.013 cu.in.
■ Bore	36.0 mm / 1.417 in.
■ Stroke	32.4 mm / 1.276 in.
■ Output	3.9 ps / 3.85 hp / 9,000r.p.m.
■ Practical R.P.M.	1,800-9,000 r.p.m.
■ Weight	984.2 g / 34.72 oz. (Engine)
	187.5 g / 6.61 oz. (Silencer)
	105.0 g / 3.70 oz. (Ignition module)