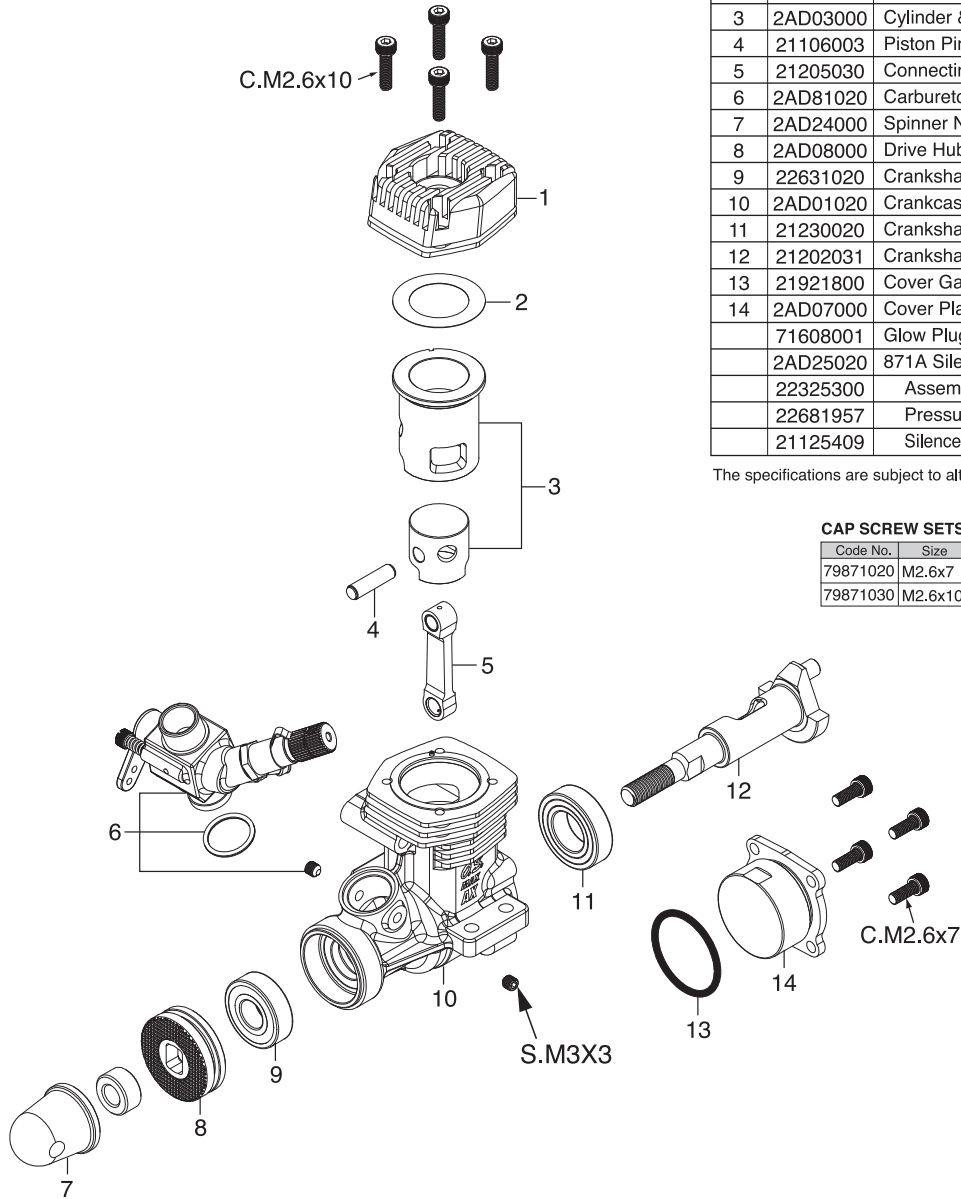


MAX-11AX ENGINE EXPLODED VIEW & PARTS LIST

* Type of screw

C...Cap Screw S...Set Screw

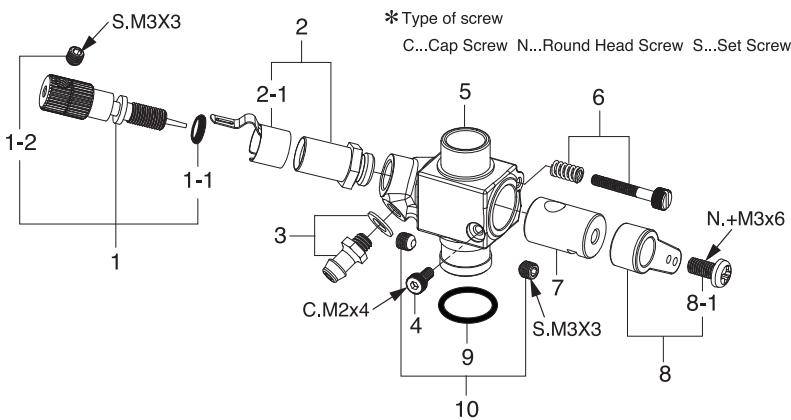


| No. | Code No. | Description |
|-----|----------|--|
| 1 | 2AD04020 | Cylinder Head |
| 2 | 21214011 | Gasket Set (0.1mm/0.2mm) |
| 3 | 2AD03000 | Cylinder & Piston Assembly |
| 4 | 21106003 | Piston Pin |
| 5 | 21205030 | Connecting Rod |
| 6 | 2AD81020 | Carburetor Complete (Type 12G) |
| 7 | 2AD24000 | Spinner Nut |
| 8 | 2AD08000 | Drive Hub |
| 9 | 22631020 | Crankshaft Ball Bearing (F) |
| 10 | 2AD01020 | Crankcase |
| 11 | 21230020 | Crankshaft Ball Bearing (R) |
| 12 | 21202031 | Crankshaft |
| 13 | 21921800 | Cover Gasket (S-16) |
| 14 | 2AD07000 | Cover Plate |
| | 71608001 | Glow Plug No.8 |
| | 2AD25020 | 871A Silencer Assembly |
| | 22325300 | Assembly Screw |
| | 22681957 | Pressure Nipple (No.7) |
| | 21125409 | Silencer Retaining Screw (M2.6x23 2pcs.) |

The specifications are subject to alteration for improvement without notice.

CAP SCREW SETS (10pcs./sets)

| Code No. | Size | Pcs. used in an engine |
|----------|---------|---------------------------------------|
| 79871020 | M2.6x7 | Cover Plate Retaining Screw (4pcs.) |
| 79871030 | M2.6x10 | Cylinder Head Retaining Screw (4pcs.) |



* Type of screw

C...Cap Screw N...Round Head Screw S...Set Screw

| No. | Code No. | Description |
|-----|----------|--------------------------------|
| 1 | 25781970 | Needle Assembly |
| 1-1 | 24981837 | "O" Ring |
| 1-2 | 26381501 | Set Screw |
| 2 | 27381940 | Needle-valve Holder Assembly |
| 2-1 | 26711305 | Ratchet Spring |
| 3 | 22681953 | Fuel Inlet (No.1) |
| 4 | 22081811 | Rotor Guide Screw |
| 5 | 2AD81120 | Carburetor Body |
| 6 | 22081820 | Air Bleed Screw |
| 7 | 2AD81200 | Carburetor Rotor |
| 8 | 22081408 | Throttle Lever Assembly (No.5) |
| 8-1 | 22081313 | Throttle Lever Retaining Screw |
| 9 | 21015001 | Carburetor Rubber Gasket |
| 10 | 26381501 | Carburetor Retaining Screw |

The specifications are subject to alteration for improvement without notice.