

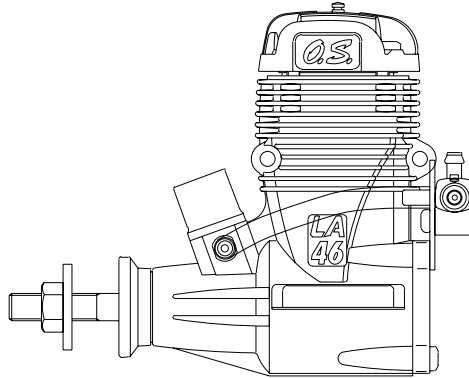
**MAX-15LA-S/25LA-S
40LA-S/46LA-S**

LA-S SERIES

INSTRUCTION MANUAL

It is of vital importance, before attempting to operate your engine, to read the general 'SAFETY INSTRUCTIONS AND WARNINGS' section on pages 2-6 of this booklet and to strictly adhere to the advice contained therein.

- Also, please study the entire contents of this instruction manual, so as to familiarize yourself with the controls and other features of the engine.
- Keep these instructions in a safe place so that you may readily refer to them whenever necessary.
- It is suggested that any instructions supplied with the aircraft, radio control equipment, etc., are accessible for checking at the same time.



CONTENTS

SAFETY INSTRUCTIONS AND WARNINGS ABOUT YOUR O.S. ENGINE -----	2-6	STARTING THE ENGINE -----	14-20
INTRODUCTION -----	7	RUNNING-IN (Breaking-in) -----	20
INSTALLATION OF THE ENGINE -----	8	TROUBLE SHOOTING WHEN THE ENGINE FAILS TO START -----	21-22
INSTALLATION OF SILENCER -----	9	CARE AND MAINTENANCE -----	23
NEEDLE-VALVE LOCATION -----	9-10	ENGINE EXPLODED VIEW & PARTS LIST -----	24-27
BEFORE STARTING -----	10-12	THREE VIEW DRAWING -----	28-29
PLUMBING AND FUEL TANK POSITION -----	12	OPTIONAL PARTS & ACCESSORIES -----	30
ADVICE ON SELECTION OF FUEL, GLOW PLUG & PROPELLER -----	14-22		


SAFETY INSTRUCTIONS AND WARNINGS ABOUT YOUR O.S. ENGINE


Remember that your engine is not a "toy", but a highly efficient internal-combustion machine whose power is capable of harming you, or others, if it is misused.

As owner, you, alone, are responsible for the safe operation of your engine, so act with discretion and care at all times.






If at some future date, your O.S. engine is acquired by another person, we would respectfully request that these instructions are also passed on to its new owner.

■ The advice which follows is grouped under two headings according to the degree of damage or danger which might arise through misuse or neglect.

 <b style="font-size: 1.2em;">WARNINGS
<p>These cover events which might involve serious (in extreme circumstances, even fatal) injury.</p>

 <b style="font-size: 1.2em;">NOTES
<p>These cover the many other possibilities, generally less obvious sources of danger, but which, under certain circumstances, may also cause damage or injury.</p>

2

 <b style="font-size: 1.5em;">WARNINGS	
<ul style="list-style-type: none"> ● Never touch, or allow any object to come into contact with, the rotating propeller and do not crouch over the engine when it is running.  ● A weakened or loose propeller may disintegrate or be thrown off and, since propeller tip speeds with powerful engines may exceed 600 feet(180 metres) per second, it will be understood that such a failure could result in serious injury, (see 'NOTES' section relating to propeller safety). ● Model engine fuel is poisonous. Do not allow it to come into contact with the eyes or mouth. Always store it in a clearly marked container and out of the reach of children.  	<ul style="list-style-type: none"> ● Model engine fuel is also highly flammable. Keep it away from open flame, excessive heat, sources of sparks, or anything else which might ignite it. Do not smoke or allow anyone else to smoke, near to it.  ● Never operate your engine in an enclosed space. Model engines, like automobile engines, exhaust deadly carbon-monoxide. Run your engine only in an open area. ● Model engines generate considerable heat. Do not touch any part of your engine until it has cooled. Contact with the muffler (silencer), cylinder head or exhaust header pipe, in particular, may result in a serious burn. 

3



NOTES

- This engine was designed for model aircraft. Do not attempt to use it for any other purpose.
- Mount the engine in your model securely, following the manufacturers' recommendations, using appropriate screws and lock-nuts.
- Be sure to use the silencer (muffler) supplied with the engine. Frequent exposure to an open exhaust may eventually impair your hearing. Such noise is also likely to cause annoyance to others over a wide area.
- If you remove the glowplug from the engine and check its condition by connecting the battery leads to it, do not hold the plug with bare fingers. Use an appropriate tool or a folded piece of cloth.
- Fit a top-quality propeller of the diameter and pitch specified for the engine and aircraft. Locate the propeller on the shaft so that the curved face of the blades faces forward-i.e. in the direction of flight. Firmly tighten the propeller nut, using the correct size wrench.



NOTES

- Always check the tightness of the propeller nut and retighten it, if necessary, before restarting the engine, particularly in the case of four-stroke-cycle engines. If a safety locknut assembly is provided with your engine, always use it. This will prevent the propeller from flying off in the event of a "backfire", even if it loosens.
- If you fit a spinner, make sure that it is a precision made product and that the slots for the propeller blades do not cut into the blade roots and weaken them.
- Preferably, use an electric starter. The wearing of safety glasses is also strongly recommended.
- Discard any propeller which has become split, cracked, nicked or otherwise rendered unsafe. Never attempt to repair such a propeller: destroy it. Do not modify a propeller in any way, unless you are highly experienced in tuning propellers for specialized competition work such as pylon-racing.
- Take care that the glow plug clip or battery leads do not come into contact with the propeller. Also check the linkage to the throttle arm. A disconnected linkage could also foul the propeller.
- After starting the engine, carry out any needle-valve readjustments from a safe position behind the rotating propeller. Stop the engine before attempting to make other adjustments to the carburettor.



NOTES

- Adjust the throttle linkage so that the engine stops when the throttle stick and trim lever on the transmitter are fully retarded. Alternatively, the engine may be stopped by cutting off the fuel supply. Never try to stop the engine physically.
- Take care that loose clothing (ties, shirt sleeves, scarves, etc.) do not come into contact with the propeller. Do not carry loose objects (such as pencils, screwdrivers, etc.) in a shirt pocket from where they could fall through the propeller arc.
- Do not start your engine in an area containing loose gravel or sand. The propeller may throw such material in your face and eyes and cause injury.
- For their safety, keep all onlookers (especially small children) well back (at least 20 feet or 6 meters) when preparing your model for flight. If you have to carry the model to the take-off point with the engine running, be especially cautious. Keep the propeller pointed away from you and walk well clear of spectators.
- Warning! Immediately after a glowplug-ignition engine has been run and is still warm, conditions sometimes exist whereby it is just possible for the engine to abruptly restart if the propeller is casually flipped over compression WITHOUT the glowplug battery being reconnected. Remember this if you wish to avoid the risk of a painfully rapped knuckle!

6

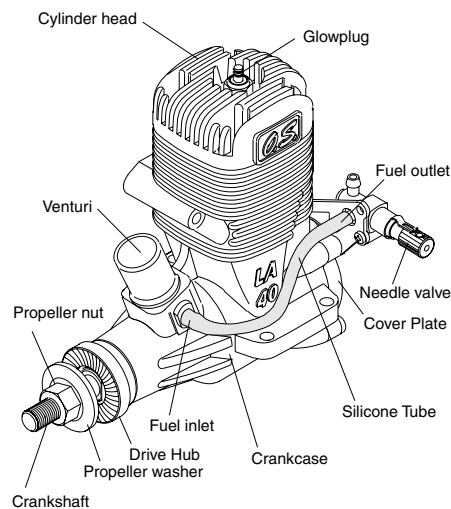
INTRODUCTION

The "LA-S Series" engines are designed for control line models. They have broad power characteristics which are suitable for both trainer models and stunt models. A separate needle-valve is mounted at the rear, where manual adjustment is safely away from the rotating propeller.

The 'midnight blue' external finish may be decolorized by very high surface temperature or by certain solvents. Such decolorization does not affect engine performance, however.

Connect the short length of fuel tubing supplied securely between the fuel outlet and the fuel inlet. In the event of the tube becoming damaged, it should be replaced with a suitable length of best quality 5mm ODX2mm ID silicone tubing. Use similar material to connect the fuel inlet nipple to the fuel tank.

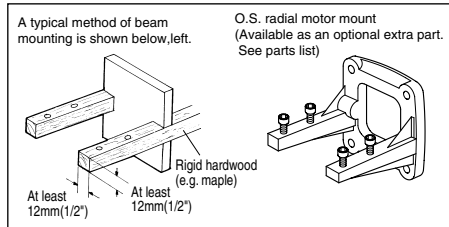
Length	
15LA-S	51-52mm
25LA-S	55-56mm
40/46LA-S	65-66mm



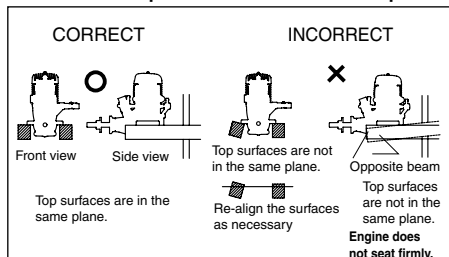
7

INSTALLATION

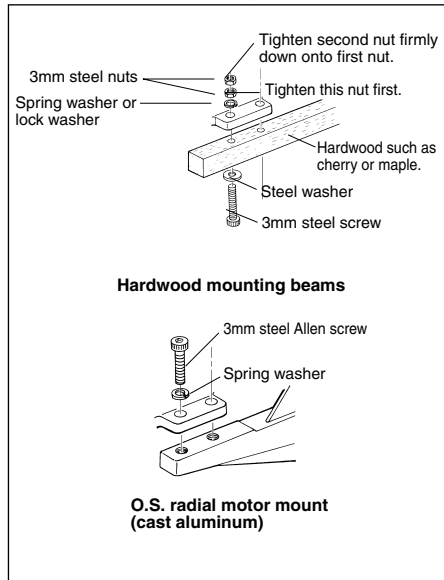
Installation in the model



Make sure that the mounting beams are parallel and that their top surfaces are in the same plane.



How to fasten the mounting screws.



8

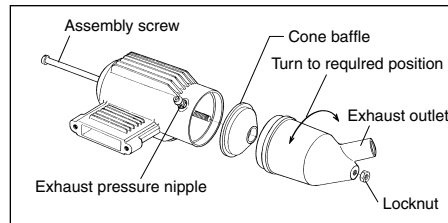
NEEDLE-VALVE EXTENSION

The needle-valve supplied with these engines is designed to incorporate an extension so that, when the engine is enclosed within the fuselage, the needle-valve may be adjusted from the outside. Cut a commercially available rod to the required length, bend one end to an L shape, insert it into needle's center hole and secure it by tightening the set-screw in the needle-valve knob with 1.5mm. Allen key.

INSTALLATION OF SILENCER

The angled exhaust of the silencer can be rotated to any desired position in the following manner:

- 1) Loosen the locknut and assembly screw.
- 2) Set the exhaust outlet at the required position by rotating the rear part of the silencer.
- 3) Re-tighten the assembly screw, followed by the locknut. The standard silencer is quite effective but reduces power to some degree.



Reminder!

Model engines generate considerable heat. Do not touch any part of your engine until it has cooled. Contact with the muffler (silencer), cylinder head or exhaust header pipe, in particular, may result in a serious burn.

NEEDLE-VALVE LOCATION

As delivered from the factory, the MAX-40LA & 46LA have the needle-valve assembly installed vertically. However, if more convenient for a particular installation, the needle-valve may be reinstalled horizontally.

The procedure for relocating the needle-valve is as follows:

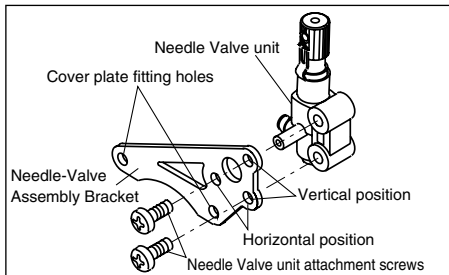
9

1. Remove the two cover-plate screws which secure the needle-valve assembly bracket, then carefully remove the two screws by which the needle-valve unit is attached to the bracket.
2. Rotate the needle-valve unit through 90° and re-attach it to the bracket in the required position.

Note:

As self-tapping screws are used for unit attachment, screw them in carefully so that screw threads match those of the unit body precisely.

3. Finally, secure the complete assembly to rear cover plate as before.



10

BEFORE STARTING

Tools, accessories, etc.

The following items are necessary for operating the engine.

1 Fuel

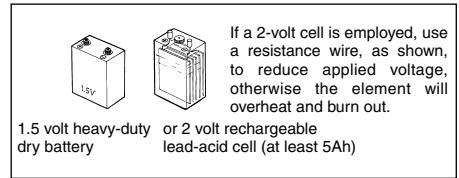
Model glowplug engine fuel of good quality, preferably containing a small percentage of nitromethane. (See "Advice on selection of fuel, glowplug and propeller")

2 Propeller

Suggested size is 8X4 (15LA-S), 9X6 (25LA-S), 11X5 (40LA-S), or 11X6 (46LA-S).

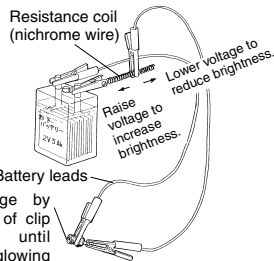
3 Glowplug battery

The power source for heating the glowplug may be either a large heavy-duty 1.5volt dry cell, or preferably, a 2-volt rechargeable lead-acid cell (accumulator).



Warning (Very hot)

Never touch the nichrome wire while the battery is connected.



Adjust applied voltage by changing the position of clip on resistance coil until glowplug element is glowing bright red.

4 Plug wrench

Used for tightening glowplug. The O.S. long plug wrench is available as an optional accessory.

5 Battery leads

These are used to conduct current from the battery to the glowplug. Basically, two leads, with clips, are required, but, for greater convenience, twin leads with special glowplug connectors, as shown on the right, are commercially available.

6 Fuel tank

For installation in the model, a 40cc(1oz.) for 15LA-S, a 60cc(2oz.) for 25LA-S, a 120cc(4oz.)-140cc(5oz.) for 40-46LA-S, is suggested.

7 Fuel bottle or pump

For filling the fuel tank, a simple, polyethylene "squeeze" bottle, with a suitable spout, is all that is required. Alternatively, one of the purpose-made manual or electric fuel pumps may be used to transfer fuel directly from your fuel container to the fuel tank.

8 Fuel can filter

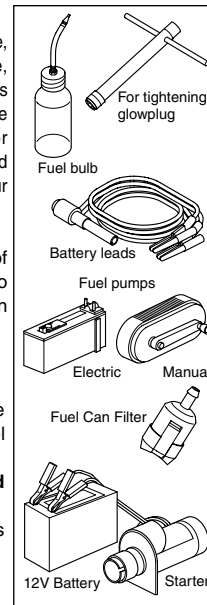
Fit a filter to the outlet tube of your refuelling container to prevent entry of foreign matter into the fuel tank. (R/C clunk tank installation)

9 Silicone tubing

This is required for the connection between the fuel tank and engine.

10 Electric starter and starter battery

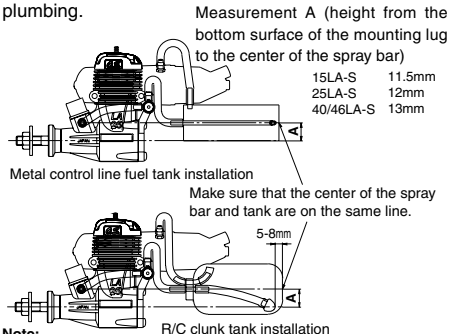
An electric starter is recommended for starting.



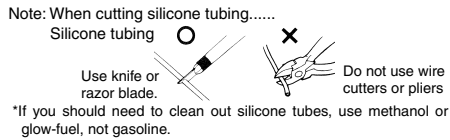
11

PLUMBING AND FUEL TANK POSITION

Make sure that there are no kinks or folds in the plumbing.



Note:
Control line models tend to receive more abrupt changes of attitude than R/C models, which results in air bubbles being drawn from the fuel tank. Pay careful attention to the plumbing and fuel tank position.



Silencer (muffler) pressurized fuel system

To reduce variation in fuel "head" and ensure steady fuel delivery at the carburettor, it is advisable to employ a silencer (muffler) pressurized fuel system, i.e. to use the silencer outlet nipple to pressurize the fuel tank as shown at left.

ADVICE ON SELECTION OF FUEL, GLOWPLUG & PROPELLER

Fuel

Use a good quality commercial fuel or one of the blends shown in the table. Fuel "A" is suitable for running-in and ordinary use. Fuel "B" is for use when more power is required and for improved flexibility. Note that even a small quantity of nitromethane (3-5%) will improve flexibility, making the needle-valve adjustment less critical and improving throttle response. Use only materials of the highest purity. Synthetic oils are permissible but are less tolerant of a "lean run" than castor-oil. If, therefore, a synthetic lubricant is used in the fuel, readjust the needle-valve to a slightly richer setting, as a safety measure, in case the fuel/air mixture becomes too lean through maneuvers in flight. If a more powerful fuel is used, the engine should be checked out to make sure that it is sufficiently run-in to operate on that particular fuel without overheating. Do not use fuels containing less than 18% lubricant.

	A	B
Methanol	75%	65%
Castor Oil	20%	20%
Nitromethane	5%	10%

Reminder!

Model engine fuel is poisonous. Do not allow it to come into contact with the eyes or mouth. Always store it in a clearly marked container and out of the reach of children.

Model engine fuel is also highly flammable. Keep it away from open flame, excessive heat, sources of sparks, or anything else which might ignite it. Do not smoke, or allow anyone else to smoke, near to it.

PROPELLER

Suggested propeller sizes are given in the table. As the ideal propeller diameter, pitch and blade area vary according to the size, weight and type of model, final propeller selection will require in flight experimentation.

Reminder!

Never touch, or allow any object to come into contact with, the rotating propeller and do not crouch over the engine when it is running.

	Running-in	Aerobatic & Sport
15LA-S	8x4	8x4-6
25LA-S	9x6	9x6, 10x5
40LA-S	11x5	11x5-6
46LA-S	11x6	11x6-7, 12x5-6

GLOWPLUG

Since the glowplug and fuel combination used may have a marked effect on performance and reliability, it would be worthwhile to experiment with different plug types. Recommended O.S. plugs are No.6 (Former A3), No.7 and No.8. Carefully install plug finger-tight, before final tightening with the correct size plug wrench.

The role of the glowplug

With a glowplug engine, ignition is initiated by the application of a 1.5-volt power source. When the battery is disconnected, the heat retained within the combustion chamber remains sufficient to keep the plug filament glowing, thereby continuing to keep the engine running. Ignition timing is 'automatic': under reduced load, allowing higher rpm, the plug becomes hotter and, appropriately, fires the fuel/air charge earlier; conversely, at reduced rpm, the plug become cooler and ignition is retarded.

Glowplug life

Particularly in the case of very high performance engines, glowplugs must be regarded as expendable items.

However, plug life can be extended and engine performance maintained by careful use, i.e.:

- Install a plug suitable for the engine.
- Use fuel containing a moderate percentage of nitromethane unless more is essential for racing events.
- Do not run the engine too lean and do not leave the battery connected while adjusting the needle.

When to replace the glowplug

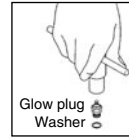
Apart from when actually burned out, a plug may need to be replaced because it no longer delivers its best performance, such as when:

- Filament surface has roughened and turned white.
- Filament coil has become distorted.
- Foreign matter has adhered to filament or plug body has corroded.
- Engine tends to cut out when idling.
- Starting qualities deteriorate.

STARTING THE ENGINE Preparations

1 Installing the glowplug

Install the washer on the glowplug and screw carefully into cylinder-head, making sure that it is not cross-threaded before tightening firmly.

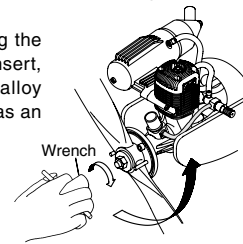


2 Installing the propeller

First, mount the propeller on the engine by tightening the prop nut or spinner-nut lightly, and make sure of the position where compression is felt, turning the propeller counter-clockwise slowly. Then tighten firmly as explained below.

For accurately centering the starter's rubber drive insert, use an O.S. solid alloy spinner-nut. (Available as an optional extra part).

Alternatively, a spinner assembly, enclosing the propeller boss, may be used, but make sure that it is of sturdy construction and that the spinner shell does not loosen when the starter is used.



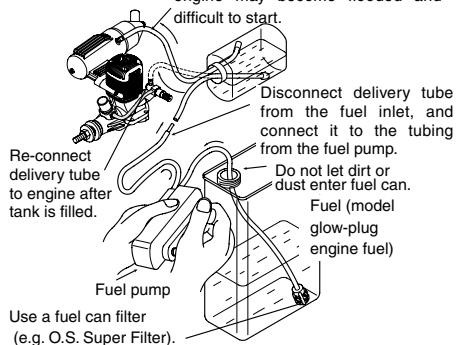
14

Warning: When using a spinner assembly, make sure that the notches in the spinner shell are large enough to clear the propeller blades and so do not cut into and weaken the blade roots.

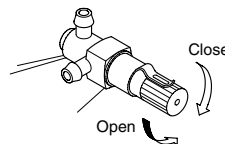
Tighten the spinner nut firmly so that compression is first felt as indicated (i.e. with blades horizontal) when turning the propeller in the direction of arrow.

3 Filling the fuel tank

Do not allow fuel to overflow into silencer when refuelling, otherwise engine may become flooded and difficult to start.



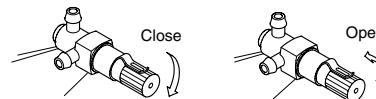
4 Opening and closing of the needle-valve



Turn needle-valve clockwise to close (for leaner mixture).
Turn needle-valve counter-clockwise to open (for richer mixture).

5 Setting the needle-valve

Open the needle-valve 3 turns (for 15LA-S), 1 1/2 turns (for 25,40,46LA-S) in the direction of arrow from the closed position.

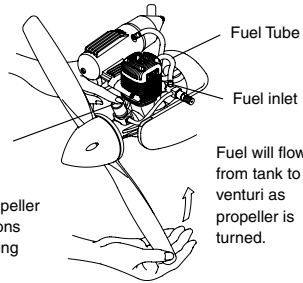


The position where the needle-valve stops is the fully closed position. It may be convenient to remember the position of the mark or set-screw at this time.

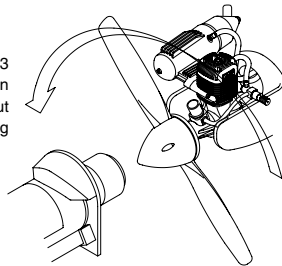
15

6 Priming

Place your finger over the venturi to choke intake.

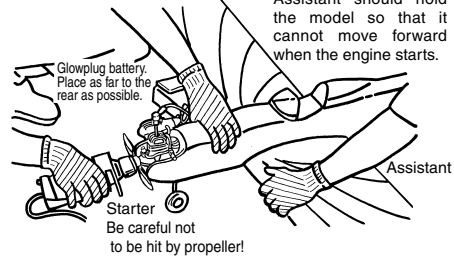


Turn the engine for 3 to 4 seconds by an electric starter without connecting glowplug battery.

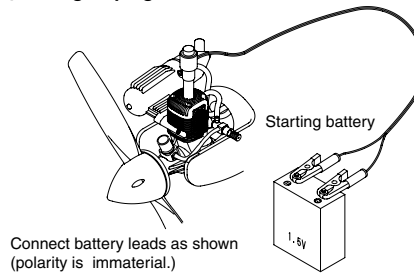


7 Hold model securely when starting

Assistant should hold the model so that it cannot move forward when the engine starts.



8 Heat glowplug



16

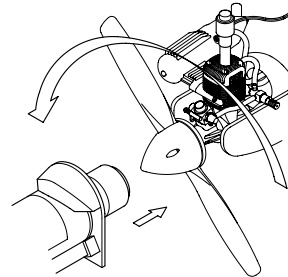
9 Apply electric starter

Bring the starter into contact with the spinner nut or spinner and depress the starter switch for one or two seconds. Repeat if necessary. When the engine fires, withdraw the starter immediately.

Attention: Never place your finger over the carburettor intake when applying the starter. Such an action will cause an excess quantity of fuel to be drawn into the cylinder and result in hydraulic lock that may damage the engine.

Warning!

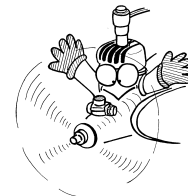
Since a control line engine is started with the throttle fully opened and reaches full rpm right after starting, be sure to hold the model securely.



10 Engine starts

If the engine does not start, refer to the TROUBLE SHOOTING CHART.

BEWARE of the rotating propeller.

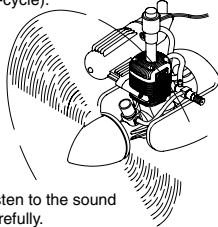


In the interests of safety, keep your face and other parts of the body away from the vicinity of the propeller.

17

11 Needle-valve adjustment(1)

Then gradually close the needle-valve until the exhaust sound changes from an irregular pitch (four-cycle) to a steady pitch (two-cycle).

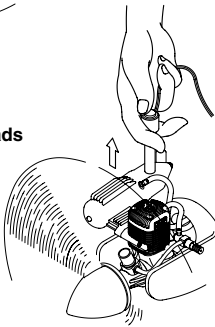


Listen to the sound carefully.

Close the needlevalve gradually until the engine sound is changing from a four-cycle into a two-cycle in pitch.

12 Disconnect battery leads

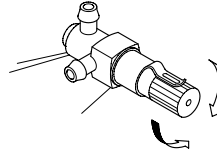
Disconnect the battery leads from the engine with care so that the plug clip does not touch the rotating pro-peller.



If the engine stops when battery leads are disconnected, close the needle-valve a little (approx. 45°) further, and restart the engine.

13 Needle-valve adjustment(2)

As the needle-valve is closed beyond the initial readjustment, the r.p.m. of the engine will be increased and a continuous high-pitched exhaust note, only, will be heard.



Key to the needle-valve adjustment.
(Turn 20-30° at a time.)

Turn the needle-valve 20-30° in the direction of arrow, and wait momentarily for the change of r.p.m.

After the r.p.m. of the engine increases, turn the needle-valve another 20-30° and wait for the next change of r.p.m.

As the speed of the engine does not instantly change with needle-valve readjustment, small movements, with pauses between, are necessary to arrive at the optimum setting.

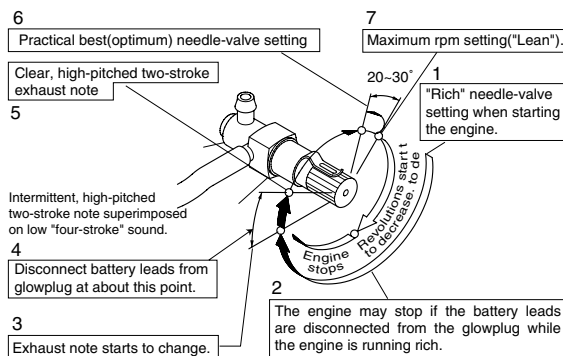
IMPORTANT NOTE

When fine-tuning the needle-valve to reach peak performance, take care not to run the engine too lean and cause it to overheat.

Be sure to observe the simple running-in procedures described on Page 20.

18

14 Needle-valve adjustment(Summary)



Note: Although this is a two-stroke engine it fires like a four-stroke at these rich needle-valve settings-i.e. ignition of the fuel charge takes place at every fourth stroke of the piston instead of at every second stroke.

NOTE: The above sketch is for reference purposes only.
Actual needle positions may differ from those shown.

On starting from cold, with the needle-valve set at the rich starting position:

a good deal of white smoke is emitted, accompanied by a relatively low-pitched "four-stroke" exhaust note.

As the needle-valve is closed and the r.p.m. increases:

an intermittent high-pitched two-stroke note will be superimposed on the low-pitched "four-stroke" note. Exhaust smoke will be less dense and grey in colour.

Further needle-valve closure:

exhaust note is now a steady high-pitched sound, rising higher in pitch as needle-valve is closed and increase. The grey smoke will be lighter. (However, make sure that engine is fully run in.)

Finally:

maximum rpm is reached and will fall off (or engine will stop) if needle -valve is closed any further. Exhaust gas will be very light.

Now, re-open needle-valve 20-30°

This will produce the practical best (i.e. optimum) rpm setting (lower than maximum rpm). A light grey exhaust emission may be observed.

Take note of this position of the needle-valve.

19

Subsequent starting procedure

Once the optimum needle-valve setting has been established (see ④ "Needle-valve adjustment-Summary") the procedure for starting is simplified as follows:

- 1) Open the needle-valve one half-turn (180°) from the optimum setting.
- 2) Energize the glowplug and apply the starter.
When the engine starts, re-adjust the needle-valve to the optimum setting.

Note: When re-starting the engine on the same day, provided that atmospheric conditions have not changed significantly, it may be practicable to re-start the engine on its optimum (running) setting. Also, if the engine is being re-started immediately after a run (i.e.hot), priming should not be necessary.

⑤ How to stop the engine

To cut off the fuel supply, pinch the fuel delivery tube to the venturi.

RUNNING-IN ("Breaking-in")

All internal-combustion engines benefit, to some degree, from extra care when they are run for the first few times - known as running-in or breaking-in. This is because the working parts of a new engine take a little time to settle down after being subjected to high temperatures and stresses. However, because O.S. engines are made with the aid of the finest modern precision machinery and from the best and most suitable materials, only a very short and simple running-in procedure is required and can be carried out with the engine installed in the model. The process is as follows:

- 1) Start the engine and, with the throttle fully open, open the needle-valve an extra half turn (180°) from the optimum setting. This will produce a rich mixture that will result in cooler running. Allow the engine to run out a full tank on the ground. (Avoid dusty surroundings.)
- 2) Now fly the model with the needle-valve re-set 20-30 degrees open from the optimum setting (i.e. 40-60° from the highest rpm setting).
- 3) Close the needle-valve very slightly on successive flights so that the engine is running on its optimum needle setting at the fifth or sixth flight.

TROUBLE SHOOTING WHEN THE ENGINE FAILS TO START

Four key points

For quick, reliable starting, the following four conditions are required.

- ① **Good compression.** ② **Adequate "glow" at glowplug.** ③ **Correct mixture.**
 ④ **Sufficient electric starter rotating speed.**

If the engine fails to start, or does not keep running after being started, check symptoms against the following chart and take necessary corrective action.

Note: The most common causes of trouble are marked with three asterisks, the less common problems with one or two asterisks.

Symptom	Factor	Cause	Corrective action
Engine fails to fire.	①	* Sluggish rotation	Recharge the electric starter battery.
		** Glowplug battery discharged.	Recharge lead-acid cell or replace dry battery. (Note: An unused, or almost unused, dry battery may sometimes be of insufficient capacity if it is "old stock".)
	②	* Glowplug element is burned out	Replace glowplug. Check that applied voltage is not too high.
		* Something wrong with battery leads.	Check glowplug heating using other leads.
		** Engine "flooded" due to excessive priming.	Close needle-valve fully and remove glowplug, then flip propeller to pump out excess fuel. (Invert engine, if possible, while pumping out excess). Re-start engine. (Priming is not necessary at this time.)
③	* Insufficient priming.	Repeat priming procedure referring to ⑥ Priming.	

Symptom	Factor	Cause	Corrective action
Engine fires intermittently but does not run.	②—★★	Incorrect heating of glowplug.	Voltage too high or too low. Re-check and readjust referring to "BEFORE STARTING" paragraph 4.
	③—★★	Over priming.	Continue flipping propeller. If engine does not start after more than 10 flips, disconnect battery from glowplug and leave for a few minutes, then re-energize plug and flip prop again. If engine still does not start, remove glowplug and pump out excess fuel by flipping prop quickly.
	①—★	Sluggish rotation.	Then re-start. (Priming is not necessary.) Recharge the electric starter battery.
Engine fires once or twice, then fails to fire.	②—★★	Glowplug battery discharged.	Recharge lead-acid cell or replace dry battery. (Note: An unused, or almost unused, dry battery may sometimes be of insufficient capacity if it is "old stock".)
	③—★★	Insufficient priming.	Repeat priming procedure referring to ⑥ Priming.
Engine starts but revolutions decrease and engine eventually stops.	③—★★★	Mixture too rich.	Close needle-valve half turn (180°) and wait for several minutes then re-start.(Priming is not necessary.)
Engine starts, then revolutions increase and engine cuts out.	③—★	Fuel not reaching the engine.	Make sure that tank is filled with fuel. Check that there is not something wrong with fuel tubing (kinked or split).
Engine stops when battery leads are disconnected after starting.	③—★★	Mixture too rich.	Close the needle-valve a little.
	②—★	Mismatch of glow plug and fuel.	Change fuel or glowplug.

CARE AND MAINTENANCE

To ensure that you obtain long life and peak performance from your engine, observe the following.

- Avoid running the engine under dusty conditions.
If necessary, lay a sheet of plywood or hard-board in front and under the nose of the model when starting the engine.

- Foreign matter in the fuel can cause the venturi jet to be partially clogged.

Therefore:

- rinse out the fuel tank with methanol or fuel before installing it.
- fit a fuel filter to the fuel delivery tube between tank and venturi.
- fit a fuel filter to the outlet of your squeeze bottle, or to the pump inlet if you use a manual or electric pump.
- do not leave your fuel container open needlessly.
- check filters periodically and clean them when necessary.

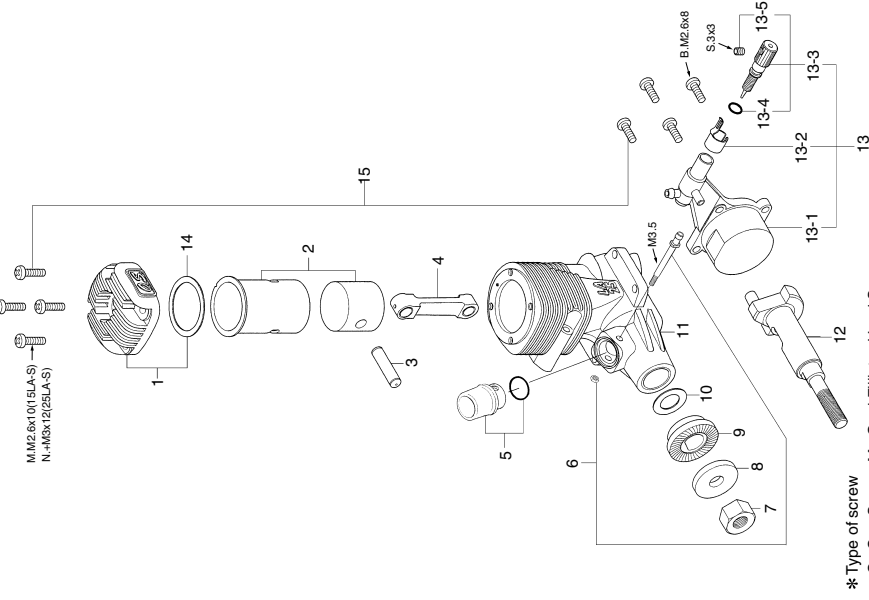
- Do not leave raw fuel in the engine at the conclusion of a flying session: it may cause corrosion. The best practice is to disconnect the delivery tube from the venturi while the engine is running. Remaining fuel in the tank should also be drained off.

- Clean the exterior of the engine with a clean cotton cloth.If this is not done, oil and dirt will burn onto the outside of the engine each time it is run and the engine will soon become blackened.

- If the engine is not in use for a while (more than two months) remove the glowplug and rinse out the interior with kerosene (not gasoline), by rotating the crankshaft. Shake out residue, then inject light machine-oil through the plug hole and carburettor intake, again rotating the shaft to distribute the protective oil to all working parts. Gasoline, thinner, kerosene and light machine oil cause swelling and deterioration of plastic parts, "O" rings and fuel tubing. Use methanol for cleaning these parts.

- Avoid unnecessary dismantling of your engine.

EXPLODED VIEW & PARTS LIST (15/25LA-S)



24

No.	Description	Code No.	
		15LA-S	25LA-S
1	Cylinder Head (Silver)	21754010	22554010
2	Cylinder & Piston Assembly	21753000	22553000
3	Piston Pin	21706000	22606009
4	Connecting Rod	21205040	22405013
5	Venturi	21712010	22312000
6	Nozzle For Remote Needle	21381970	21381980
7	Propeller Nut	20810007	23210007
8	Propeller Washer	21109005	24009000
9	Drive Hub	21758000	22558000
10	Thrust Washer	21620006	22020001
11	Crankcase (Silver)	21751010	22551010
12	Crankshaft	21752000	22302000
13	Cover Plate Assembly	21757000	22557000
13-1	Cover Plate	21757100	22557100
13-2	Ratchet Spring	26711305	26711305
13-3	Needle	21781970	24081970
13-4	"O" Ring	24981837	24981837
13-5	Set Screw	26381501	26381501
14	Head Gasket	21714100	22564000
15	Screw Set	21713000	22563000
	Glow Plug No.6 (Former A3)	71605300	71605300
	871 Silencer	21225000	---
	Pressure Fitting	22681957	---
	Assembly Screw	22325300	---
	Fixing Screw(N.+M2.6X25 2pcs.)	21125409	---
	E-2030 Silencer	---	22325020
	Pressure Fitting	---	22681957
	Assembly Screw	---	22325310
	Fixing Screw(N.+M3X27 2pcs.)	---	22625404

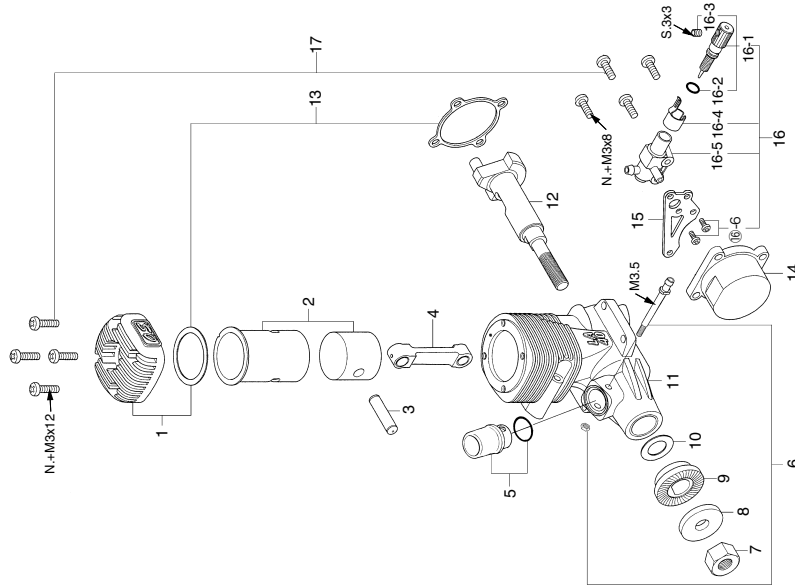
Specifications are subject to alteration for improvement without notice.

25

No.	Description	Code No.	
		40LA-S	46LA-S
1	Cylinder Head (Midnight Blue)	24004000	—
	Cylinder Head (Silver)	—	24004110
2	Cylinder & Piston Assembly	24003010	24003100
3	Piston Pin	23356000	45806000
4	Connecting Rod	24005000	—
5	Venturi	23312000	—
6	Nozzle For Remote Needle	21381980	—
7	Propeller Nut	23210007	—
8	Propeller Washer	24009000	—
9	Drive Hub	24008000	—
10	Thrust Washer	22020001	—
11	Crankcase (Midnight Blue)	24001001	—
	Crankcase (Silver)	—	24001110
12	Crankshaft	23302000	—
13	Gasket Set	23364000	24014100
14	Cover Plate	24007110	—
15	Needle Valve Assembly B ratchet	24007120	—
16	Needle Valve Assembly	26582900	—
16-1	Needle	24081970	—
16-2	"O" Ring	24981837	—
16-3	Set Screw	26381501	—
16-4	Ratchet Spring	26711305	—
16-5	Needle Valve Body	26582910	—
16-6	Needle Valve Body Retaining Screw	26582920	—
17	Screw Set	24013000	—
	Glow Plug No.6 (Former A3)	71605300	—
	E-3030 Silencer	23325020	—
	Pressure Fitting	22681957	—
	Assembly Screw	23325320	—
	Retaining Screw(2pcs.)	22625404	—

Specifications are subject to alteration for improvement without notice.

EXPLODED VIEW & PARTS LIST (40/46LA-S)



* Type of screw
 C...Cap Screw M...Oval Fillister-Head Screw
 F...Flat Head Screw N...Round Head Screw S...Set Screw

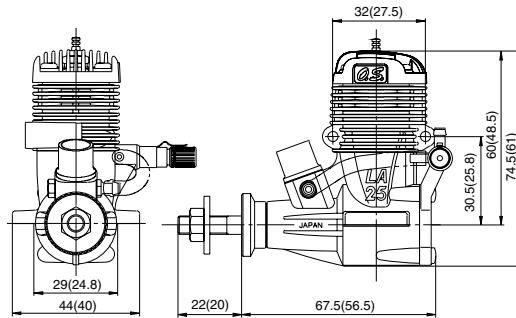
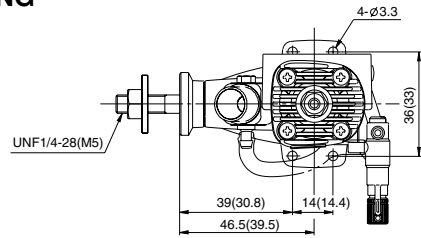
MAX-15/25LA-S THREE VIEW DRAWING

15LA-S SPECIFICATIONS

■ Displacement	2.49 cc (0.1517 cu.in.)
■ Bore	15.2mm (0.598 in.)
■ Stroke	13.7mm (0.539 in.)
■ Practical R.P.M.	2,500-18,000 r.p.m.
■ Power output	0.41 ps / 0.42 hp / 17,000 r.p.m.
■ Weight	129.5g (4.56 oz.)

25LA-S SPECIFICATIONS

■ Displacement	4.07 cc (0.249 cu.in.)
■ Bore	18.0mm (0.709 in.)
■ Stroke	16.0mm (0.630 in.)
■ Practical R.P.M.	2,000-16,000 r.p.m.
■ Power output	0.6 ps / 0.61 hp / 15,000 r.p.m.
■ Weight	185.5g (6.54 oz.)



Dimensions(mm) ()15LA

28

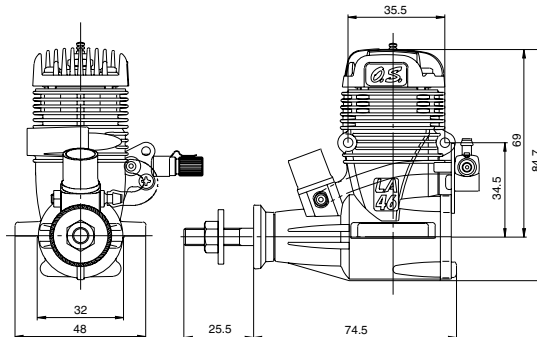
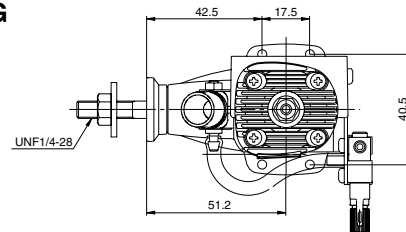
MAX-40/46LA-S THREE VIEW DRAWING

40LA-S SPECIFICATIONS

■ Displacement	6.49 cc (0.396cu.in.)
■ Bore	21.2 mm (0.835in.)
■ Stroke	18.4 mm (0.724in.)
■ Practical R.P.M.	2,000-16,000 r.p.m.
■ Power output	1.0 ps / 1.01 hp / 15,000 r.p.m.
■ Weight	267.5g (9.43oz.)

46LA-S SPECIFICATIONS

■ Displacement	7.64 cc (0.467cu.in.)
■ Bore	23.0 mm (0.906in.)
■ Stroke	18.4 mm (0.724in.)
■ Practical R.P.M.	2,000-16,000 r.p.m.
■ Power output	1.2 ps / 1.22 hp / 15,000 r.p.m.
■ Weight	263.5g (9.29oz.)



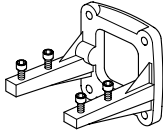
Dimensions(mm)

29

O.S. GENUINE PARTS & ACCESSORIES

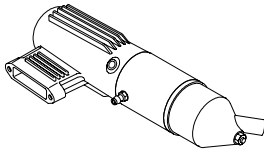
■ RADIAL MOTOR MOUNT

(71909310) for 15LA-S
(71908100) for 25LA-S
(71906200) for 40,46LA-S



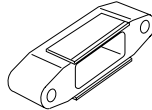
■ SUPER SILENCER

E-2030S (22325030) for 25LA-S
E-3030S (23325030) for 40,46LA-S



■ SILENCER EXTENSION ADAPTORS

(21125108) for 15LA-S
(22325100) for 25LA-S
(23325100) for 40,46LA-S



■ LONG PROPELLER NUT SET

(73101000) for 25-46LA



■ NON-BUBBLE WEIGHT

(Bubble Eliminating Tank Weight)
(71531000)

■ NON-BUBBLE WEIGHT

S (71531010)

■ GLOW PLUG ■ SUPER FILTER (L)

(72403050)

No.6 (Fomer A3)
(71605300)

No.7 (71607100) **No.8** (71608001)



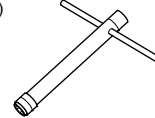
■ SPINNER NUT

M5 (20824005) for 15LA-S
1/4"-28 (23024008) for 25LA-S
1/4"-28(L) (23024009) for 40,46LA-S



■ LONG SOCKET WRENCH WITH PLUG GRIP

(71521000)



The specifications are subject to alteration for improvement without notice.



O.S. ENGINES MFG.CO.,LTD.
URL : <http://www.os-engines.co.jp>

6-15 3-Chome Imagawa Higashisumiyoshi-ku
Osaka 546-0003, Japan TEL. (06) 6702-0225
FAX. (06) 6704-2722