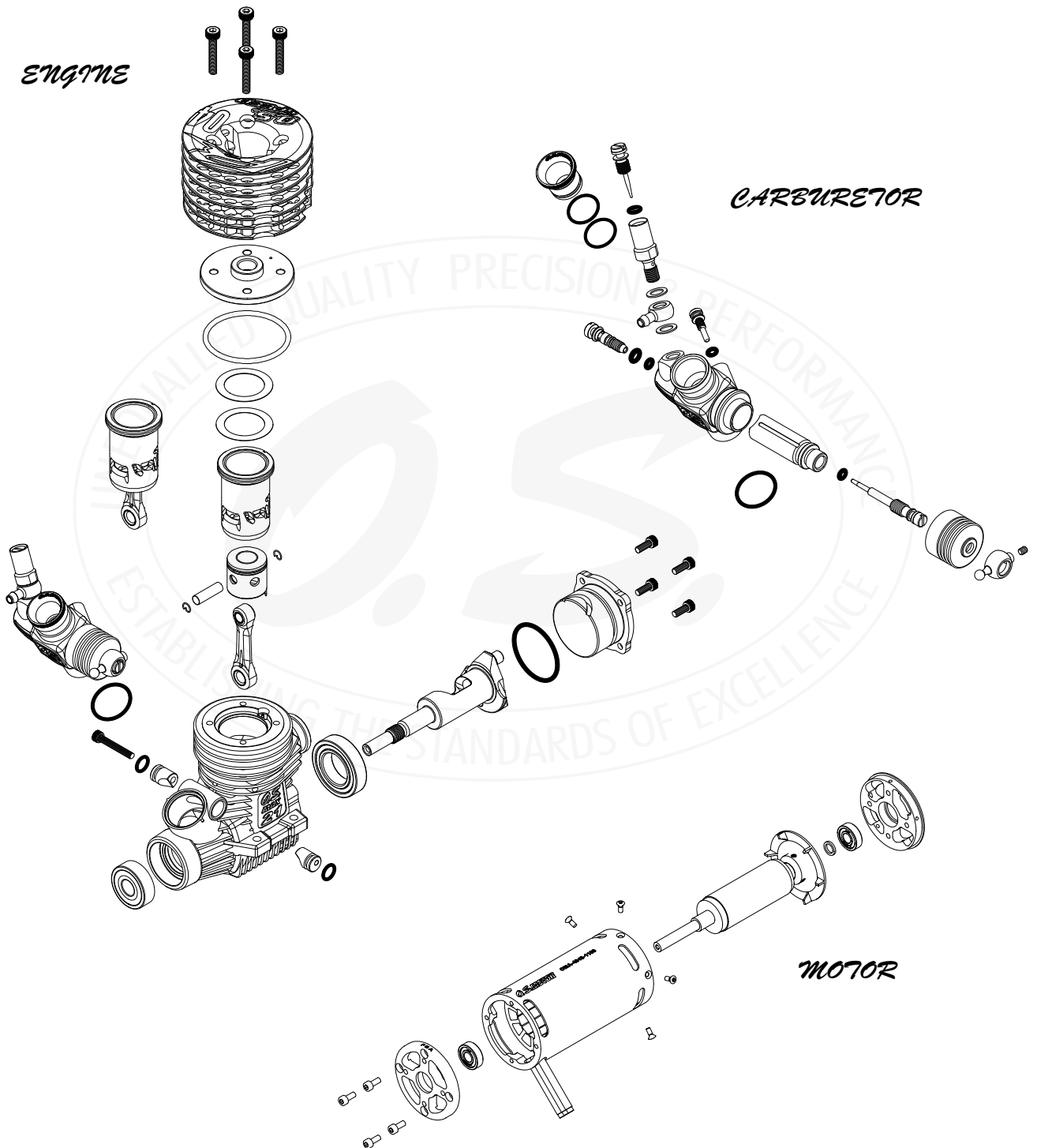


# **2019 EXPLODED VIEWS WITH CODE NUMBERS LIST**



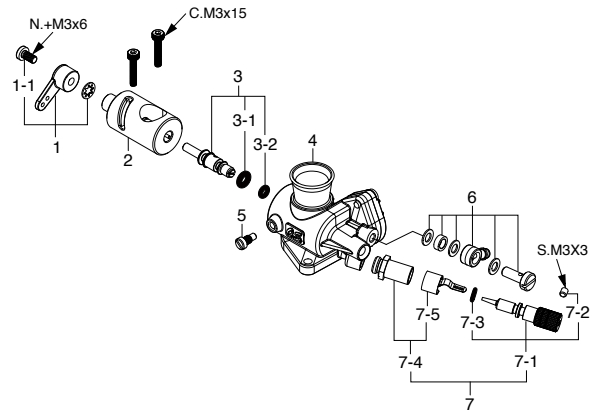
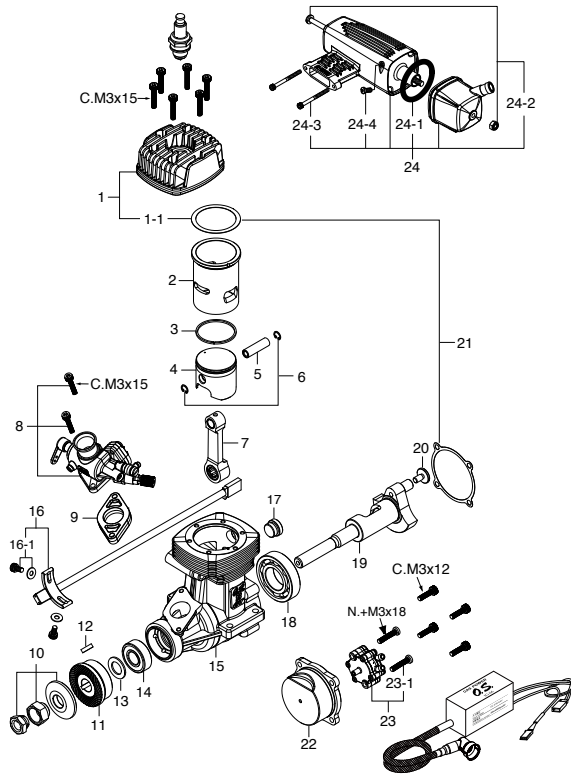
**CONTENTS**

<b>P2 For Airplane 2-Stroke / 4-Stroke Gasoline Engines</b>	<b>P50 For Helicopter 2-Stroke Glow Engines</b>
P3 GT15	P51 MAX-32SX-HRING
P4 GT22	P52 MAX-37SZ-HRING
P5 GT33	P53 MAX-50SX-HRING Hyper
P6 GT60	P54 MAX-55HZ Hyper
P7 GGT10 (Discontinued)	P55 MAX-55HZ-R
P8 GGT15	P56 MAX-105HZ
P9 GT120T	P57 MAX-105HZ-R
P10 GF30II	<b>P58 O.S. SPEED Factory Tuned Engines</b>
P11 GF30	P59 O.S. SPEED 21XZ-GT
P12 GF40	P60 O.S. SPEED 21XZ-B TY110%
<b>P13 For Airplane 2-Stroke Glow Engines</b>	P61 O.S. SPEED 21XZ-B Spec. III (Discontinued)
P14 MAX-11CZ-A	P62 O.S. SPEED T1203
P15 MAX-25FXII	P63 O.S. SPEED T1202 (Discontinued)
P16 MAX-35AX	P64 O.S. SPEED B21 TY2
P17 MAX-46AXII	P65 O.S. SPEED B21 Adam Drake Edition 2
P18 MAX-55AX	P66 O.S. SPEED B21 Adam Drake Edition
P19 MAX-65AX	P67 O.S. SPEED B2103 Type S
P20 MAX-75AX	P68 O.S. SPEED B2103 Type R
P21 MAX-95AXRING	P69 O.S. SPEED B2102 (Discontinued)
P22 MAX-120AXRING	P70 O.S. SPEED R21 EURO Spec
P23 MAX-15LA	P71 O.S. SPEED R21GT
P24 MAX-25LAI	P72 O.S. SPEED R2104
P25 MAX-15/25LA-S (Discontinued 25LA-S)	P73 O.S. SPEED R2103
P26 MAX-46LA-S (Discontinued)	P74 O.S. SPEED R2102 (Discontinued)
<b>P27 For Airplane 4-Stroke Glow Engines</b>	<b>P75 For Car 2-Stroke Glow Engines</b>
P28 FS $\alpha$ -56II	P76 MAX-12TG Ver. III
P29 FS $\alpha$ -56 (Discontinued)	P77 MAX-12TG Ver. II (Discontinued)
P30 FS-62V	P78 MAX-15CV-X (Discontinued)
P31 FS $\alpha$ -72 II	P79 MAX-18CV-RX 11G/11J (Discontinued)
P32 FS $\alpha$ -72 (Discontinued)	P80 MAX-18TZ(P)-T (Discontinued)
P33 FS $\alpha$ -81-P (Discontinued)	P81 MAX-21TM-T / MAX-21TM-R
P34 FS-91SII-P (Discontinued)	P82 MAX-R21
P35 FS-95V	P83 MAX-21XZ-B Ver. II
P36 FS $\alpha$ -110 (Discontinued)	P84 MAX-28XZ (Discontinued)
P37 FS $\alpha$ -110-P (Discontinued)	P85 MAX-30VG(P)ES (Discontinued)
P38 FS $\alpha$ -155-P	<b>P86 For Out Boat 2-Stroke Glow Engine</b>
P39 FS-120S III	P87 MAX-21XM Ver. II
<b>P40 For Airplane 4-Stroke Multi Cylinder Glow Engines</b>	<b>P88 For Airplane / Helicopter Brushless Motors</b>
P41-P42 FT-160 (Gemini-160)	P89 OMR-4043-172 II
P43-P44 FF-320 (Pegasus-320)	P90 OMA38 シリーズ
P45-46 FR7-420 (Sirius 7)	P91 OMA50 シリーズ
<b>P47 For Helicopter 2-Stroke Gasoline Engines</b>	P92 OMA-6030-220
P48 GT15HZ II	P93 OMH-5825-520/OMH-5830-490
P49 GT15HZ	

***EXPLODED VIEWS  
WITH CODE NUMBERS LIST***

**For Airplane  
2-Stroke / 4-Stroke  
Gasoline Engines**





\* Type of screw

C...Cap Screw B...Binding Screw M...Oval Fillister-Head Screw

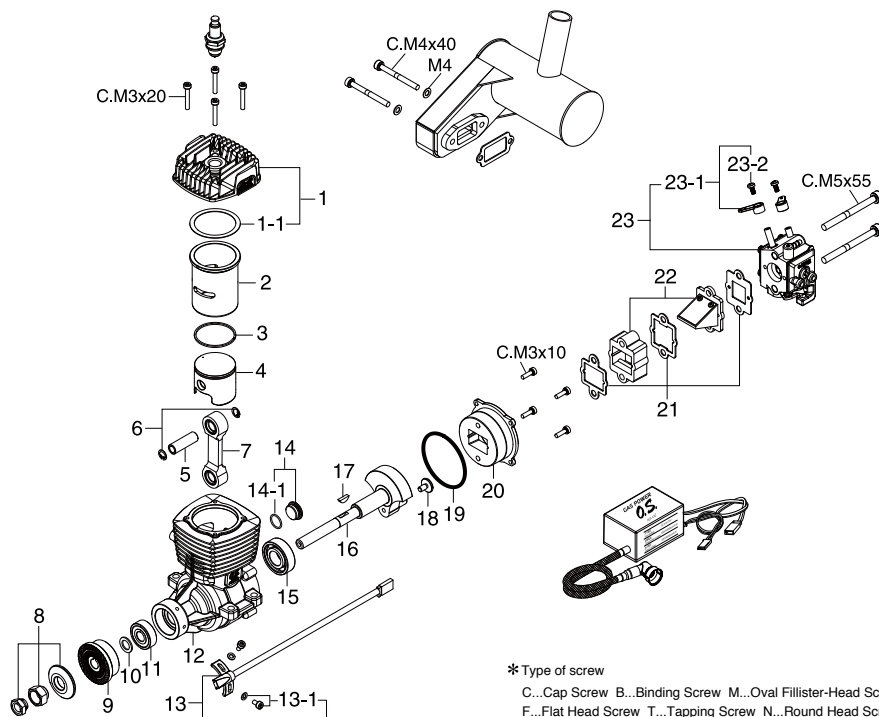
F...Flat Head Screw T...Tapping Screw N...Round Head Screw S...Set Screw

### CAP SCREW SETS (10pcs./sets)

Code No.	Size	Pcs. used in an engine
79871140	M3x12	Cover Plate Retaining Screw (4pcs.)
79871150	M3x15	Cylinder Head Retaining Screw (6pcs.) Carburetor Retaining Screw (2pcs.)

No.	Code No.	Description
1	28164000	Cylinder Head GT15
1-1	29061406	Head Gasket 91HZ
2	29503100	Cylinder Liner 91FX
3	28153400	Piston Ring GT15HZ
4	28163200	Piston GT15
5	26606008	Piston Pin 91HZ,61SX-H,61FSR
6	28117010	Piston Pin Retainer GT15
7	28155000	Connecting Rod GT15HZ
8	28181010	Carburetor Complete (Type 61H) GT15
9	28169460	Thermo Insulator GT15
10	45910100	Lock Nut Set FS70S2,91S,91FX
11	28168000	Drive Hub GT15
12	29008219	Woodruff Key 61,90,91
13	46120000	Thrust Washer 91FX,SX-H,SZ,FT160,FF
14	26731002	Ball Bearing (F) 40-61,70S,91S
15	28161000	Crankcase GT15
16	74002320	Rotation Sensor GT33,22,60,GF30
16-1	74002321	Rotation Sensor Retaining Screw Set (2pcs.) GT33,22,60
17	28151300	Crankcase Plug GT15HZ
18	29030001	Ball Bearing (R) 61-91F,FX,FR
19	28162000	Crankshaft GT15
20	28152100	Crank Pin Stop Screw GT22,GF30
21	29514000	Gasket Set 91FX,91SX-H
22	28167000	Cover Plate GT15
23	72508100	Pump Unit (PD-08) FS200SP,GF30
23-1	29067130	Pan Head Screw (N.+M3x18 10pcs.)
24	27425011	E-4040 Silencer 75,95AX,GT15
24-1	29122540	"O" Ring (2pcs.) E-5020
24-2	27425300	Assembly Screw 75AX
24-3	26625210	Silencer Retaining Screw (C.M4x40 2pcs.) E-4020
24-4	23081706	Carburetor Retaining Screw (N.+M3.5x5 2pcs.) 25-46LA,49PI
	71669010	Ignition Module (IG-06)
	74002710	Spark Plug CM-6 (Rcexl) GT15,22,33,55,60,GF40,GT15HZ,600

No.	Code No.	Description
1	27881400	Throttle Lever Assembly 70N,C14,60F,70D
1-1	22081313	Throttle Lever Retaining Screw 1A-3A
2	28181210	Carburetor Rotor (61H) GT15
3	28181600	Mixture Control Valve Assembly (61H)
3-1	28181920	"O" Ring (L) (2pcs.)
3-2	28181910	"O" Ring (S) (2pcs.)
4	28181110	Carburetor Body (61H) GT15
5	45581820	Rotor Guide Screw 20C,60MC,70D
6	28181950	Universal Nipple No.17
7	28181900	Needle Valve Assembly (61H) 70T
7-1	28181970	Needle Assembly (61H) 70T
7-2	26381501	Set Screw
7-3	28181910	"O" Ring (2pcs.)
7-4	27381940	Needle-valve Holder Assembly 20C,60U,70D,7H
7-5	26711305	Ratchet Spring No.4



\* Type of screw

C...Cap Screw B...Binding Screw M...Oval Fillister-Head Screw

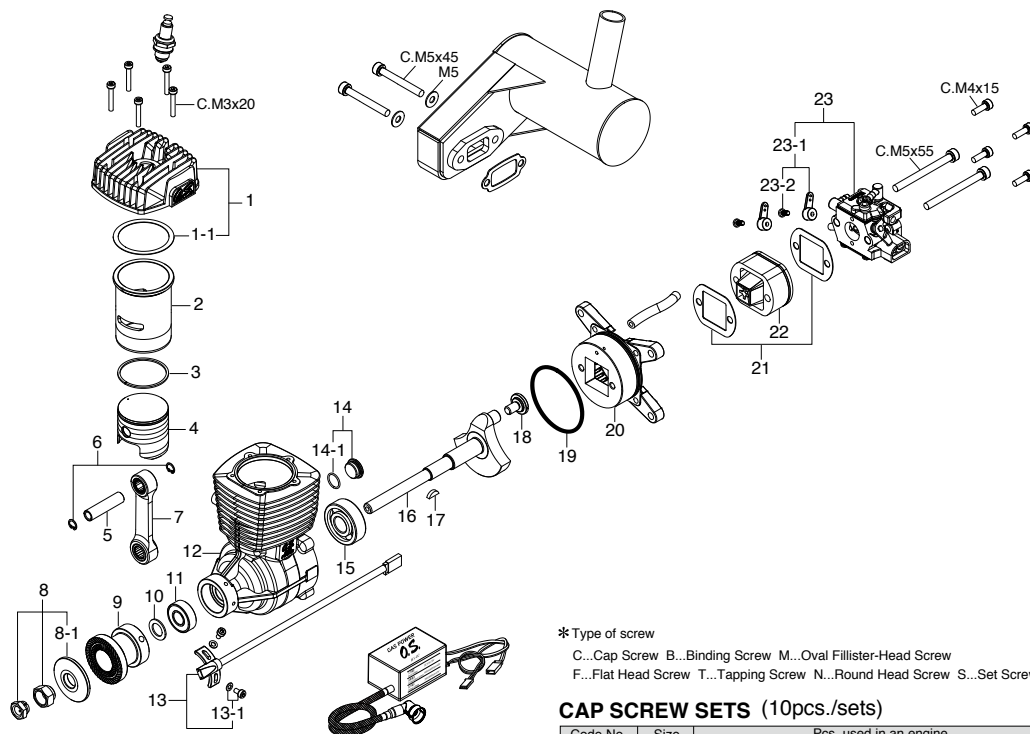
F...Flat Head Screw T...Tapping Screw N...Round Head Screw S...Set Screw

### CAP SCREW SETS (10pcs./sets)

Code No.	Size	Pcs. used in an engine
79871200	M3x20	Cylinder Head Retaining Screw (4pcs.)
79871120	M3x10	Cover Plate Retaining Screw (4pcs.)
79871555	M5x55	Carburetor & Reed valve Retaining Screw (2pcs.)

No.	Code No.	Description
1	28204000	Cylinder Head GT22
1-1	28204160	Head Gasket GT22
2	28203100	Cylinder Liner GT22
3	28203400	Piston Ring GT22
4	28203200	Piston GT22
5	28206000	Piston Pin GT22
6	28317000	Piston Pin Retainer GT33,22,GF30
7	28205000	Connecting Rod GT22
8	45910100	Lock Nut Set FS70S2,91S,91FX
9	28208000	Drive Hub GT22
10	27720000	Thrust Washer 46-91HG,HGL
11	44731000	Ball Bearing (F) FS70U
12	28201000	Crankcase GT22
13	74002320	Rotation Sensor GT33,22,60,GF30
13-1	74002321	Rotation Sensor Retaining Screw Set (2pcs.) GT33,22,60
14	29701300	Crankcase Plug GT55,33,22,GF30
14-1	29701310	"O" Ring
15	40630000	Ball Bearing (R) FS62V
16	28202000	Crankshaft GT22
17	29008219	Woodruff Key 61,90,91
18	28152100	Crank Pin Stop Screw GT22,GF30
19	28214000	Cover Gasket GT22
20	28207000	Cover Plate GT22

No.	Code No.	Description
21	28215100	Carburetor & Reed Valve Gasket Set (1piece each) GT22
22	28216000	Reed Valve Assembly GT22
23	28281000	Carburetor Complete (WT1054) GT22
23-1	29781360	Choke Arm Assembly (1pc.)
23-2	29781350	N4-40x5 Screw (1pc.)
	28225000	E-5040 Silencer GT22
	28214400	Exhaust Gasket GT22
	79871440	Cap Screw M4x40 (10pcs./set)
	74002310	Ignition Module (IG-02) GT33,22,60
	71669010	Spark Plug CM-6 (Rcexl) GT15,22,33,55,60,GF40,GT15HZ,600



\* Type of screw

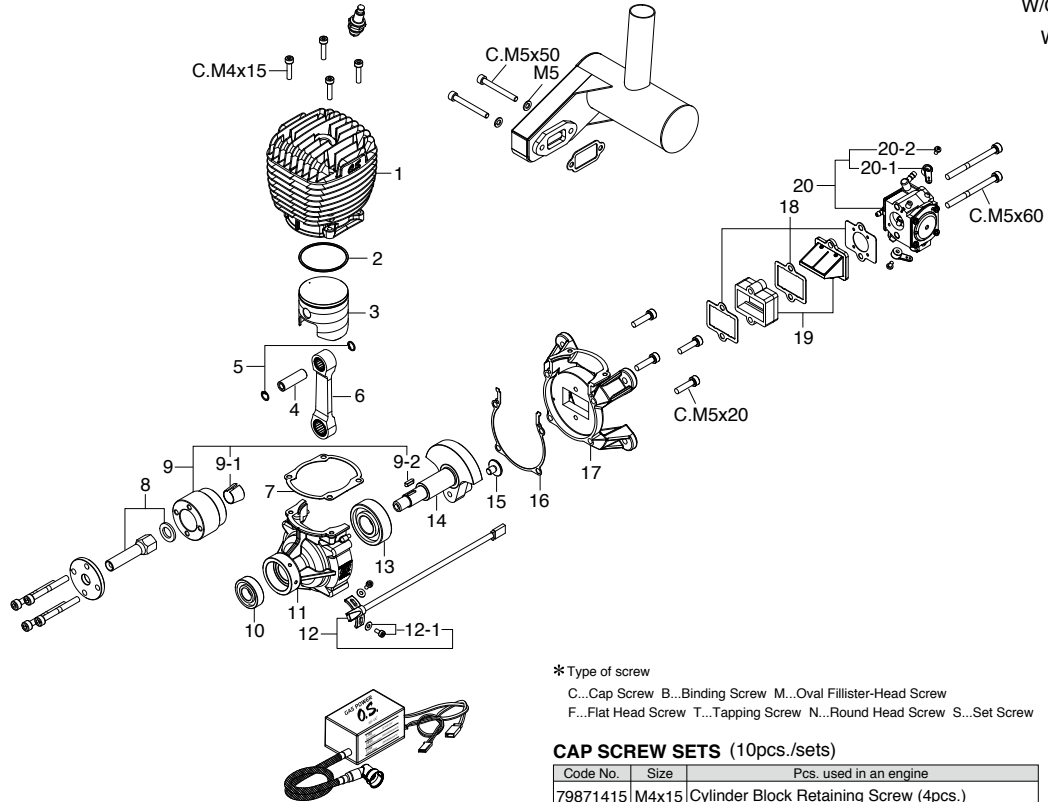
C...Cap Screw B...Binding Screw M...Oval Fillister-Head Screw  
 F...Flat Head Screw T...Tapping Screw N...Round Head Screw S...Set Screw

### CAP SCREW SETS (10pcs./sets)

Code No.	Size	Pcs. used in an engine
79871200	M3x20	Cylinder Head Retaining Screw (5pcs.)
79871415	M4x15	Cover Plate Retaining Screw (4pcs.)
79871555	M5x55	Caburetor & Reed valve Retaining Screw (2pcs.)

No.	Code No.	Description
1	28304000	Cylinder Head GT33
1-1	28304160	Head Gasket GT33
2	28303100	Cylinder Liner GT33
3	28303400	Piston Ring GT33
4	28303200	Piston GT33
5	28306010	Piston Pin GT33
6	28317000	Piston Pin Retainer GT33,22,GF30
7	28305000	Connecting Rod GT33
8	28310000	Lock Nut Set GT33,GF30
8-1	28309000	Propeller Washer GT33,GF30
9	28308000	Drive Spacer GT33
10	46120000	Thrust Washer 91FX,SXH,SZ,FT160,FF
11	26731010	Ball Bearing (F) 120AX
12	28301000	Crankcase GT33
13	74002320	Rotation Sensor GT33,22,60,GF30
13-1	74002321	Rotation Sensor Retaining Screw Set (2pcs.) GT33,22,60
14	29701300	Crankcase Plug GT55,33,22,GF30
14-1	29701310	"O" Ring
15	28330000	Ball Bearing (R) GT33
16	28302000	Crankshaft GT33
17	29008219	Woodruff Key 61,90,91
18	28302100	Crank Pin Stop Screw GT33
19	29122540	Cover Gasket
20	28307000	Cover Plate GT33

No.	Code No.	Description
21	28315000	Carburetor & Reed Valve Gasket Set (2pcs.) GT33
22	28316000	Reed Valve Assembly GT33
23	28381000	Carburetor Complete (WT1024) GT33
23-1	29781360	Choke Arm Assembly (1pc.)
23-2	29781350	N4-40x5 Screw (1pc.)
	28325000	E-5030 Silencer GT33
	28314300	Exhaust Gasket GT33
	79871545	Cap Screw M5x45 (10pcs./set)
	74002310	Ignition Module (IG-02) GT33,22,60
	71669010	Spark Plug CM-6 (Rcexl) GT15,22,33,55,60,GF40,GT15HZ,600



\*Type of screw

C...Cap Screw B...Binding Screw M...Oval Fillister-Head Screw

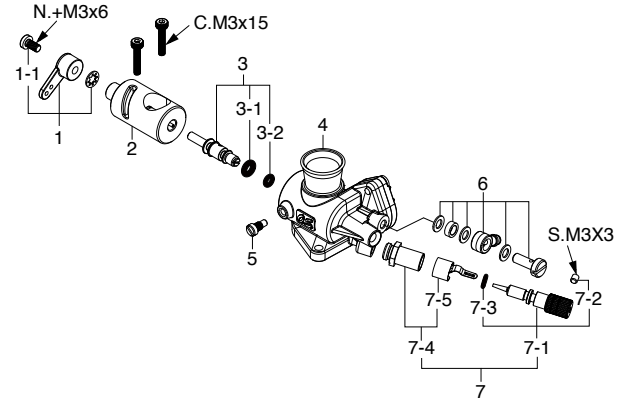
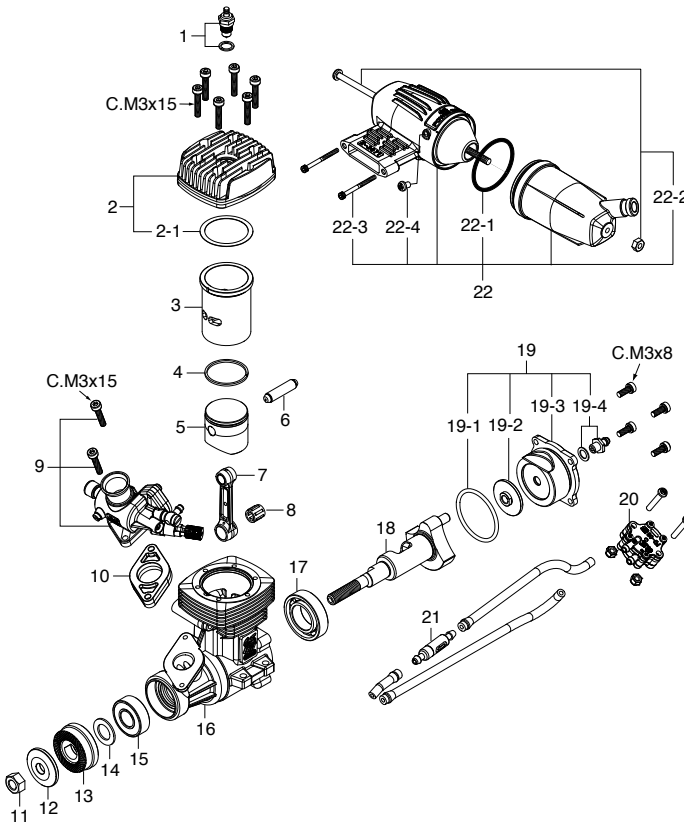
F...Flat Head Screw T...Tapping Screw N...Round Head Screw S...Set Screw

#### CAP SCREW SETS (10pcs./sets)

Code No.	Size	Pcs. used in an engine
79871415	M4x15	Cylinder Block Retaining Screw (4pcs.)
79871520	M5x20	Rear Housing Retaining Screw (4pcs.)
79871560	M5x60	Carburetor & Reed valve Retaining Screw (2pcs.)

No.	Code No.	Description
1	28603100	Cylinder Block GT60
2	28603400	Piston Ring GT60
3	28603200	Piston GT60
4	29706000	Piston Pin GT55,60
5	29717000	Piston Pin Retainer GT55,60
6	28605000	Connecting Rod GT60
7	28614000	Cylinder Gasket GT60
8	28602100	Pilot Shaft GT60
9	28608000	Drive Spacer GT60
9-1	29708100	Taper Collet GT55,60
9-2	29708200	Parallel Key GT55,60
10	29730000	Ball Bearing (F) GT55,60
11	28601600	Front Housing GT60
12	74002320	Rotation Sensor GT33,22,60,GF30
12-1	74002321	Rotation Sensor Retaining Screw Set (2pcs.) GT33,22,60
13	28631000	Ball Bearing (R) GT60
14	28602000	Crankshaft GT60
15	28602200	Crank Pin Stop Screw GT60
16	28614100	Case Gasket GT60
17	28601800	Rear Housing GT60
18	28615100	Carburetor & Reed Valve Gasket Set (1piece each) GT60
19	28616000	Reed Valve Assembly GT60

No.	Code No.	Description
20	28681000	Carburetor Complete (HAD313) GT60
20-1	22081408	Throttle Valve Lever (No.5)
20-2	29781350	N4-40x5 Screw (1pc.)
	28625000	E-6020 Silencer GT60
	29714300	Exhaust Gasket GT55,60
	79871550	Cap Screw M5x50 (10pcs./set)
	29709000	Propeller Washer GT55,60
	79871545	Cap Screw M5x45 (10pcs./set)
	74002310	Ignition Module (IG-02) GT33,22,60
	71669010	Spark Plug CM-6 (Rcexl) GT15,22,33,55,60,GF40,GT15HZ,600



\*Type of screw

C...Cap Screw B...Binding Screw M...Oval Fillister-Head Screw  
F...Flat Head Screw T...Tapping Screw N...Round Head Screw S...Set Screw

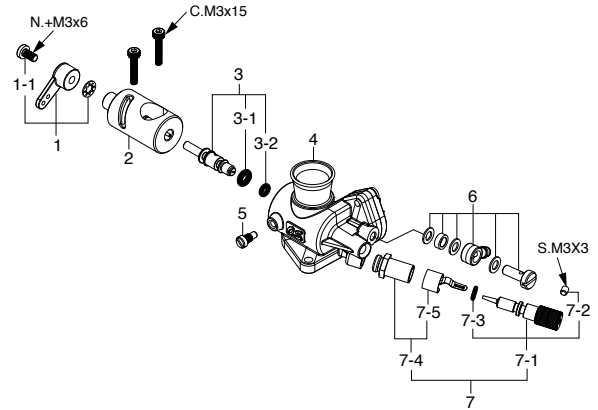
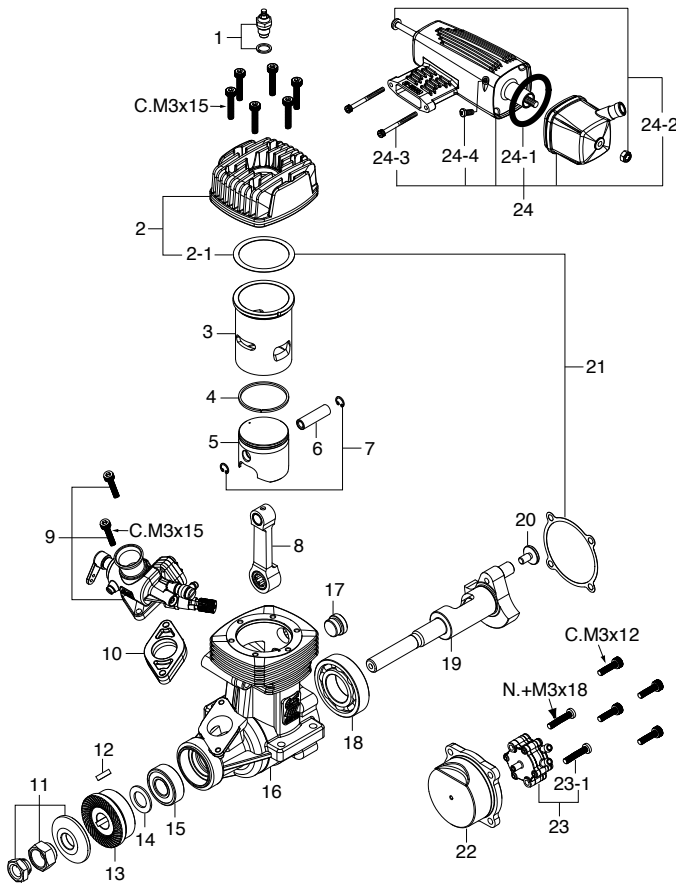
### CAP SCREW SETS (10pcs./sets)

Code No.	Size	Pcs. used in an engine
79871110	M3x8	Cover Plate Retaining Screw (4pcs.)
79871150	M3x15	Cylinder Head Retaining Screw (6pcs.) Cabruretor Retaining Screw (2pcs.)

No.	Code No.	Description
1	71655001	Glow Gasoline Engine Plug G5 GGT10,15
2	4A404000	Cylinder Head GGT10
2-1	4A404160	Head Gasket GGT10
3	4A403000	Cylinder Liner GGT10
4	26703404	Piston Ring 61SX,RX,SFN,F,VF-H
5	4A403200	Piston GGT10
6	4A406000	Piston Pin GGT10
7	4A405000	Connecting Rod GGT10
8	4A405020	Connecting Rod Bearing GGT10
9	4A481000	Carburetor Complete (Type 61HB) GGT10
10	28169460	Thermo Insulator GT15
11	23210007	Propeller Nut (1/4-28) 21-61
12	23209003	Propeller Washer 40-61
13	4A408000	Drive Hub GGT10
14	46120000	Thrust Washer 91FX,SXH,SZ,FT160,FF
15	26731010	Ball Bearing (F) 120AX
16	4A401000	Crankcase GGT10
17	26730005	Ball Bearing (R) 46AX,40-46FX
18	4A402000	Crankshaft GGT10
19	4A407000	Cover Plate Assembly GGT10
19-1	25804170	Cover Gasket 55HZ
19-2	4A407020	Connecting Rod Plate GGT10
19-3	4A407010	Cover Plate GGT10
19-4	4A407030	Nipple Assembly (w/5.0 seal washer 1pc.) GGT10
20	72508100	Pump Unit PD-08 FS200SP,GF30
21	78300000	Gasoline Fuel Filter S
22	24625211	E-3071 Silencer 46AX2,55AX,GGT10
22-1	24625125	"O" Ring (S-32) E-3070
22-2	25625300	Assembly Screw E-3020 55AX
22-3	25425400	Silencer Retaining Screw (C.M3x35 2pcs.) E-3020,873
22-4	23081706	Carburetor Retaining Screw (N.+M3.5x5 2pcs.) 25-46LA,49PI
	29067120	Pump Retaining Screw (N.+M3x18 2pcs. / Nut 2pcs.)

No.	Code No.	Description
1	27881400	Throttle Lever Assembly 70N,C14,60F,70D
1-1	22081313	Throttle Lever Retaining Screw 1A-3A
2	4A408120	Carburetor Rotor (61HB) GT15
3	28181600	Mixture Control Valve Assembly (61H)
3-1	28181920	"O" Ring (L) (2pcs.)
3-2	28181910	"O" Ring (S) (2pcs.)
4	28181110	Carburetor Body (61H) GT15
5	45581820	Roter Guide Screw 20C,60MC,70D
6	28181950	Nipple No.17
7	28181900	Needle Valve Assembly (61H) 70T
7-1	28181970	Needle Assembly (61H) 70T
7-2	26381501	Set Screw
7-3	28181910	"O" Ring (2pcs.)
7-4	27381940	Needle-valve Holder Assembly 20C,60U,70D,7H
7-5	26711305	Ratchet Spring No.4





\*Type of screw

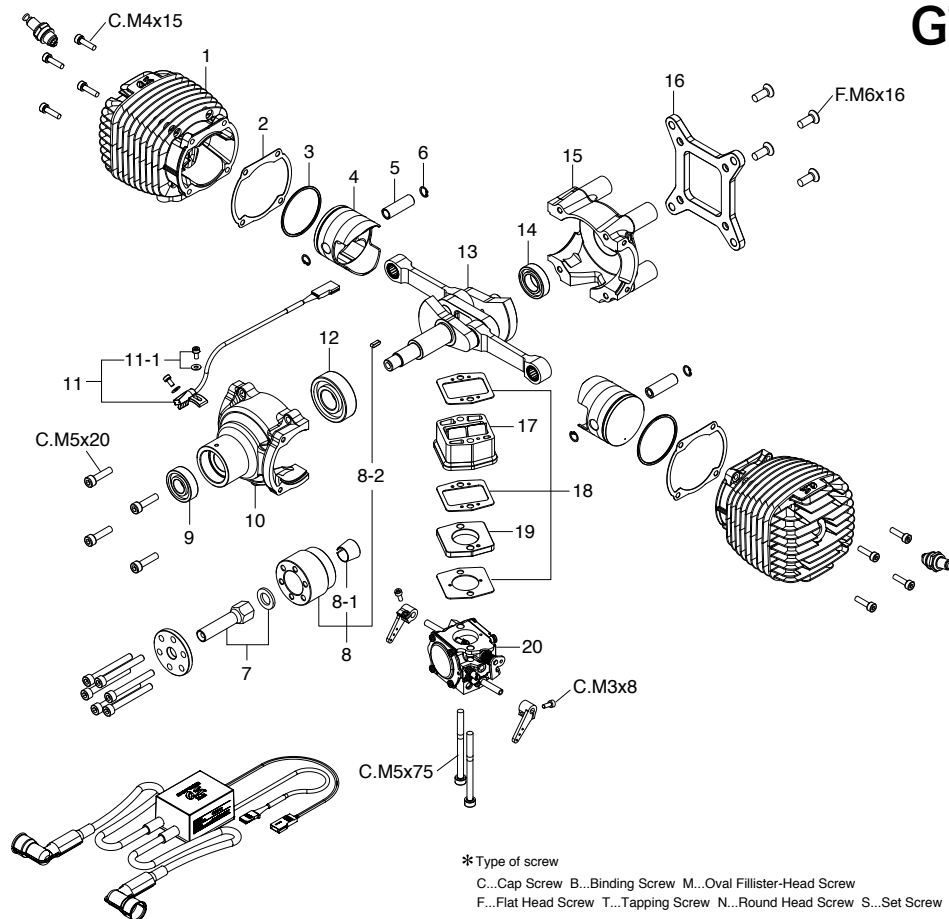
C...Cap Screw B...Binding Screw M...Oval Fillister-Head Screw  
F...Flat Head Screw T...Tapping Screw N...Round Head Screw S...Set Screw

### CAP SCREW SETS (10pcs./sets)

Code No.	Size	Pcs. used in an engine
79871140	M3x12	Cover Plate Retaining Screw (4pcs.)
79871150	M3x15	Cylinder Head Retaining Screw (6pcs.) Carburetor Retaining Screw (2pcs.)

No.	Code No.	Description
1	71655001	Glow Gasoline Engine Plug G5 GGT10,15
2	4A204000	Cylinder Head GGT15
2-1	29061406	Head Gasket 91HZ
3	29503100	Cylinder Liner 91FX
4	28153400	Piston Ring GT15HZ
5	28163200	Piston GT15
6	26606008	Piston Pin 91HZ,61SX-H,61FSR
7	28117010	Piston Pin Retainer (2pcs.) GT15
8	28155000	Connecting Rod GT15HZ
9	28181010	Carburetor Complete (Type 61H) GT15
10	28169460	Thermo Insulator GT15
11	45910100	Lock Nut Set FS70S2,91S,91FX
12	29008219	Woodruff Key 61,90,91
13	29508000	Drive Hub 91FX
14	46120000	Thrust Washer 91FX,SX-H,SZ,FT160,FF
15	26731002	Ball Bearing (F) 40-61,70S,91S
16	4A201000	Crankcase GGT15
17	28151300	Crankcase Plug GT15HZ
18	29030001	Ball Bearing (R) 61-91F,FX,FR
19	28162000	Crankshaft GT15
20	28152100	Crank Pin Stop Screw GT22,GF30
21	29514000	Gasket Set 91FX,91SZ-H
22	28167000	Cover Plate GT15
23	72508100	Pump Unit PD-08 FS200SP,GF30
23-1	29067130	Pan Head Screw (N.+M3x18 10pcs.)
24	27425011	E-4040 Silencer 75,95AX,GT15
24-1	29122540	"O" Ring E-5020
24-2	27425300	Assembly Screw E-4040 75AX
24-3	26625210	Silencer Retaining Screw (C.M4x40 2pcs.) E-4020
24-4	23081706	Carburetor Retaining Screw (N.+M3.5x5 2pcs.) 25-46LA,49PI

No.	Code No.	Description
1	27881400	Throttle Lever Assembly 70N,C14,60F,70D
1-1	22081313	Throttle Lever Retaining Screw 1A-3A
2	28181210	Carburetor Rotor (61H) GT15
3	28181600	Mixture Control Valve Assembly (61H)
3-1	28181920	"O" Ring (L) (2pcs.)
3-2	28181910	"O" Ring (S) (2pcs.)
4	28181110	Carburetor Body (61H) GT15
5	45581820	Roter Guide Screw 20C,60MC,70D
6	28181950	Universal Nipple L3.5 No.17
7	28181900	Needle Valve Assembly (61H) 70T
7-1	28181970	Needle Assembly (61H) 70T
7-2	26381501	Set Screw
7-3	28181910	"O" Ring (2pcs.)
7-4	27381940	Needle-valve Holder Assembly 20C,60U,70D,7H
7-5	26711305	Ratchet Spring No.4



\* Type of screw

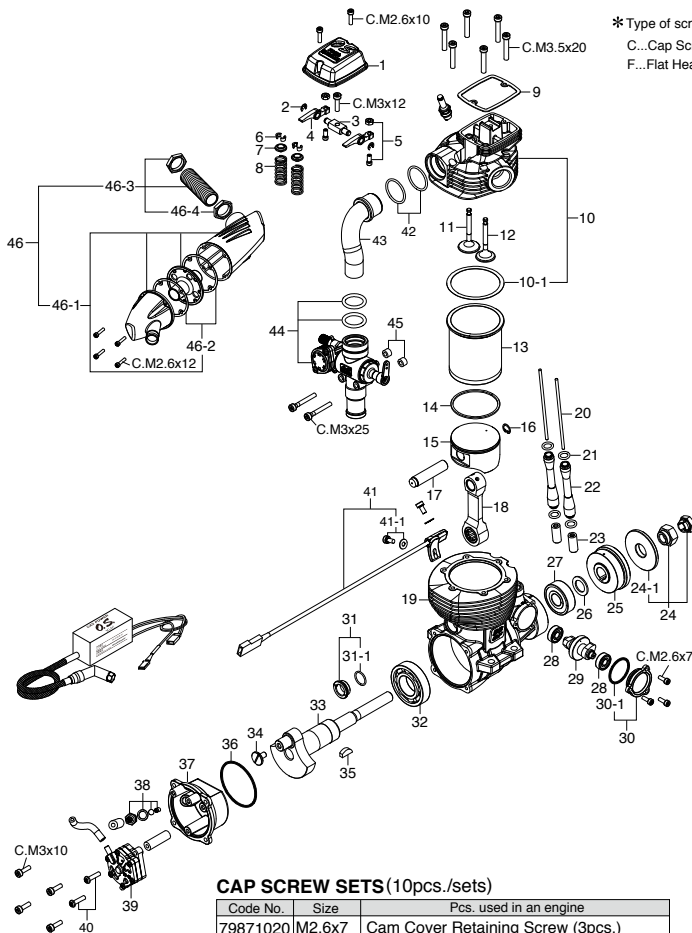
C...Cap Screw B...Binding Screw M...Oval Fillister-Head Screw  
F...Flat Head Screw T...Tapping Screw N...Round Head Screw S...Set Screw

### CAP SCREW SETS / FLAT HEAD SCREW SET (10pcs./sets)

Code No.	Size	Pcs. used in an engine
79871110	M3x8	Throttle Valve Lever Retaining Screw (2pcs.)
79871415	M4x15	Cylinder Block Retaining Screw (8pcs.)
79871520	M5x20	Front Housing Retaining Screw (4pcs.)
79871575	M5x75	Caburetor & Reed valve Retaining Screw (2pcs.)
79875616	M6x16(F)	Radial Motor Mount Retaining Screw (4pcs.)

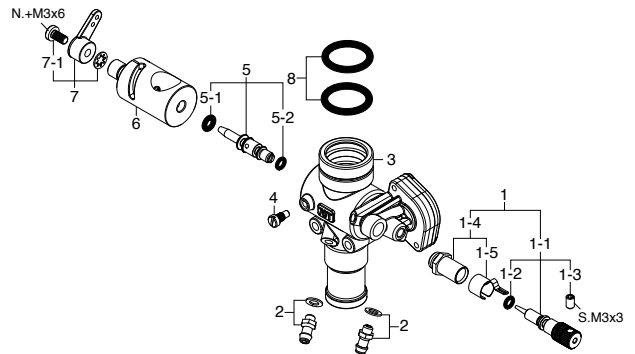
No.	Code No.	Description
1	28603100	Cylinder Block GT60
2	28614000	Cylinder Gasket GT60
3	28603401	Piston Ring GT60(D)
4	28603200	Piston GT60
5	29706000	Piston Pin GT55,GT60
6	29717000	Piston Pin Retainer GT55,GT60
7	28602100	Pilot Shaft GT60
8	4AB08000	Drive Spacer GT120T
8-1	29708100	Taper Collet GT55,GT60
8-2	29708200	Parallel Key GT55,GT60
9	29332000	Ball Bearing (F) BGX-1(H)
10	4AB01000	Front Housing GT120T
11	74002A20	Rotation Sensor IG-10
11-1	74002321	Rotation Sensor Retaining Screw Set (2pcs.) GT33,22,60

No.	Code No.	Description
12	28631000	Ball Bearing (M) GT60
13	4AB02000	Crankshaft Assembly GT120T
14	26730005	Ball Bearing (R) 46AX,40-46FX
15	4AB01800	Rear Housing GT120T
16	4AB28000	Radial Motor Mount GT120T
17	4AB18000	Reed Valve Assembly GT120T
18	4AB15000	Carburetor Gasket Set (3pcs./set) GT120T
19	4AB21000	Carburetor Spacer GT120T
20	4AB81000	Carburetor Complete (HS-324A) GT120T
	4AB81410	Throttle Lever (No.8)
	74002A10	Ignition Module (IG-10) GT120T
	71669010	Spark Plug CM-6 (Rcexl)
	79871550	Cap Screw M5x50 (10pcs./set)
	4AB09000	Propeller Washer GT120T



\*Type of screw

C...Cap Screw B...Binding Screw M...Oval Fillister-Head Screw  
F...Flat Head Screw T...Tapping Screw N...Round Head Screw S...Set Screw



### CAP SCREW SETS (10pcs./sets)

Code No.	Size	Pcs. used in an engine
79871020	M2.6x7	Cam Cover Retaining Screw (3pcs.)
79871030	M2.6x10	Rocker Cover Retaining Screw (2pcs.)
79871040	M2.6x12	Silencer Assembly Screw (4pcs.)
79871120	M3x10	Cover Plate Retaining Screw (4pcs.)
79871140	M3x12	Rocker Support Retaining Screw (1pc.)
79871250	M3x25	Carburetor Retaining Screw (2pc.)
79871100	M3.5x20	Cylinder Head Retaining Screw (6pcs.)

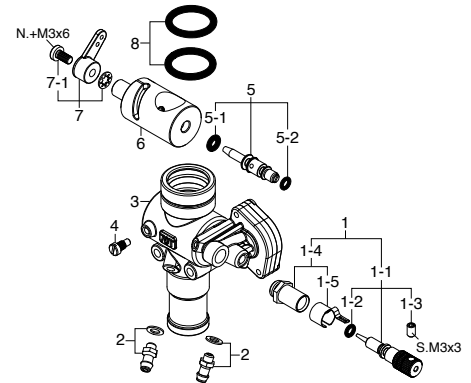
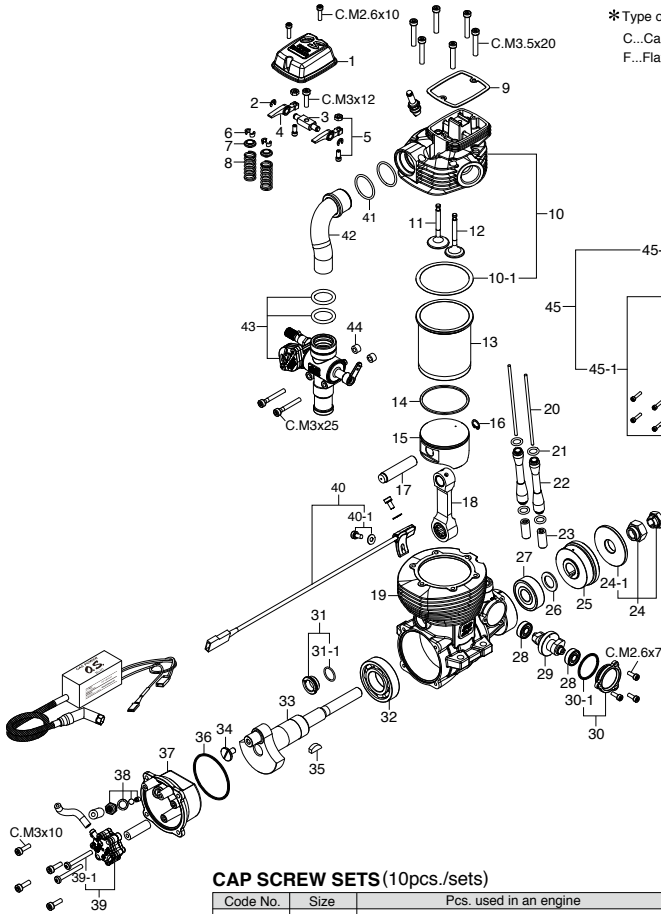
No.	Code No.	Description
1	28181900	Needle Valve Assembly 61H,70T
1-1	28181970	Needle Assembly 61H,70T
1-2	28181910	"O" Ring (2pcs.) S3
1-3	26381501	Set Screw
1-4	27381940	Needle-valve Holder Assembly 20C,60U,70D,7H
1-5	26711305	Ratchet Spring No.4
2	22681953	Fuel Inlet (Nipple No.1)
3	4A082100	Carburetor Body 70T GF30
4	45581820	Roter Guide Screw 20C,60MC,70D
5	4A081600	Mixture Control Valve Assembly 70T GF30
5-1	28181920	"O" Ring (L) (2pcs.) P3
5-2	28181910	"O" Ring (S) (2pcs.) S3
6	4A081210	Carburetor Rotor 70T2 GF30II
7	27881400	Throttle Lever Assembly 70N,C14,60F,70D
7-1	22081313	Throttle Lever Retaining Screw 1A-3A
8	4A081500	Carburetor Gasket 70T (2pcs.) P14

No.	Code No.	Description
1	4A004200	Rocker Cover GF30
2	45761600	Rocker Arm Retainer (2pcs./1pair) FS26S-120S,70U
3	49464000	Rocker Support GF30-40
4	42561100	Rocker Arm (1pc.) FSa155,GF30
5	44561200	Tappet Adjusting Screw (1pair) FS200S,GF30
6	45560410	Split Cotter (2pcs./1pair) FS120S3,SE,GF30
7	49460400	Valve Spring Retainer (1pc.) GF30-40
8	49460200	Valve Spring (1pc.) GF30-40
9	44514300	Rocker Cover Gasket FS200S,GF30
10	4A004100	Cylinder Head (W/Gasket) GF30
10-1	44514100	Head Gasket (2pc.) FS200S,FI,GF30
11	49460100	Intake Valve (1pc.) GF30-40
12	49460110	Exhaust Valve (1pc.) GF30-40
13	4A003100	Cylinder Liner GF30
14	44503400	Piston Ring FS200S,GF30
15	4A003200	Piston GF30
16	28317000	Piston Pin Retainer (2pcs.) GT33,22,GF30
17	4A006000	Piston Pin GF30
18	4A005000	Connecting Rod GF30
19	4A001000	Crankcase GF30
20	4A066000	Push Rod (2pcs.) GF30
21	45566310	Push Rod Cover "O" Ring (2pcs.) S5
22	49466100	Push Rod Cover (1pc.) GF30-40
23	44564000	Cam Follower (2pcs.) FS200S,GF30
24	28310000	Lock Nut Set GT33,GF30
24-1	28309000	Propeller Washer GT33,GF30
25	4A008000	Drive Hub GF30
26	45520000	Thrust Washer FS120S,S2,SE,SP
27	29431000	Crankshaft Ball Bearing (Front) 140RX

No.	Code No.	Description
28	45231100	Camshaft Bearing (1pc.) FS40-120S
29	44562000	Camshaft FS200S,GF30
30	44501100	Cam Cover FS200S,GF30
30-1	44501110	"O" Ring (S16) FS200S,GF30
31	29701300	Crankcase Plug GT55,33,22,GF30
31-1	29701310	"O" Ring (SS-10.5)
32	29030001	Crankshaft Ball Bearing (Rear) 61-91F,FX,FR
33	4A002000	Crankshaft GF30
34	28152100	Crank Pin Stop Screw GT22,GF30
35	45508200	Woodruff Key FS120S3,SE,SP
36	29061410	Cover Gasket FS200S,91SZ,RZ,GF30
37	4A007010	Cover Plate GF30II
38	49407010	PCV Valve Set GF30-40
39	72508200	Pump Unit PD-09 GF30II
40	79871702	Pan Head Screw (N.+M3x12 10pcs.)
41	74002320	Rotation Sensor GT60,33,22,GF30
41-1	74002321	Rotation Sensor Retaining Screw Set (2pcs.) GT60,33,22
42	4A014110	Intake Manifold Gasket (2pcs.) (S18)
43	4A069400	Intake Manifold GF30
44	4A082010	Carburetor Complete (Type 70T2) GF30II
45	4A069460	Thermo Insulator (2pcs.) GF30
46	49425000	F-6040 Silencer Assembly GF30-40
46-1	49425100	Silencer Body GF30-40
46-2	44525110	Silencer Gasket (2pcs.) F-6010
46-3	44525200	Exhaust Header Pipe Assembly FS200,GF30
46-4	44525210	Exhaust Header Pipe Nut M16 (1pc.) FS200,GF30
	74002811	Ignition Module (IG-07) GF30
	71669020	Spark Plug 1/4-32 (Rcexl) GF30,GF30II

\*Type of screw

C...Cap Screw B...Binding Screw M...Oval Fillister-Head Screw  
F...Flat Head Screw T...Tapping Screw N...Round Head Screw S...Set Screw



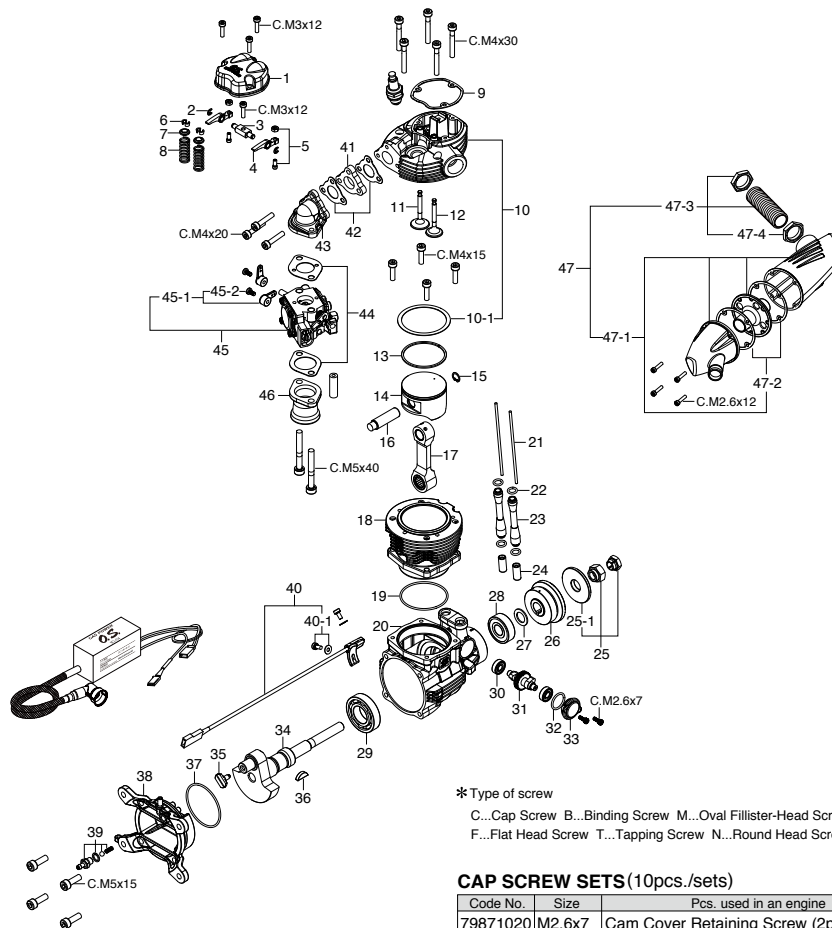
**CAP SCREW SETS (10pcs./sets)**

Code No.	Size	Pcs. used in an engine
79871020	M2.6x7	Cam Cover Retaining Screw (3pcs.)
79871030	M2.6x10	Rocker Cover Retaining Screw (2pcs.)
79871040	M2.6x12	Silencer Assembly Screw (4pcs.)
79871120	M3x10	Cover Plate Retaining Screw (4pcs.)
79871140	M3x12	Rocker Support Retaining Screw (1pc.)
79871250	M3x25	Carburetor Retaining Screw (2pc.)
79871100	M3.5x20	Cylinder Head Retaining Screw (6pcs.)

No.	Code No.	Description
1	28181900	Needle Valve Assembly 61H,70T
1-1	28181970	Needle Assembly 61H,70T
1-2	28181910	"O" Ring (2pcs.)
1-3	26381501	Set Screw
1-4	27381940	Needle-valve Holder Assembly 20C,60U,70D,7H
1-5	26711305	Ratchet Spring No.4
2	22681953	Fuel Inlet (Nipple No.1)
3	4A082100	Carburetor Body GF30
4	45581820	Roter Guide Screw 20C,60MC,70D
5	4A081600	Mixture Control Valve Assembly GF30
5-1	28181920	"O" Ring (L) (2pcs.)
5-2	28181910	"O" Ring (S) (2pcs.)
6	4A081200	Carburetor Rotor GF30
7	27881400	Throttle Lever Assembly 70N,C14,60F,70D
7-1	22081313	Throttle Lever Retaining Screw 1A-3A
8	4A081500	Carburetor Gasket (2pcs.)

No.	Code No.	Description
1	4A004200	Rocker Cover GF30
2	45761600	Rocker Arm Retainer (2pcs./1pair) FS26S-120S,70U
3	49464000	Rocker Support GF30-40
4	42561100	Rocker Arm (1pc.) FSa155,GF30
5	44561200	Tappet Adjusting Screw (1pair) FS200S,GF30
6	45560410	Split Cotter (2pcs./1pair) FS120S3,SE,GF30
7	49460400	Valve Spring Retainer (1pc.) GF30-40
8	49460200	Valve Spring (1pc.) GF30-40
9	44514300	Rocker Cover Gasket FS200S,GF30
10	4A004100	Cylinder Head (W/Gasket) GF30
10-1	44514100	Head Gasket (2pc.) FS200S,FI
11	49460100	Intake Valve (1pc.) GF30-40
12	49460110	Exhaust Valve (1pc.) GF30-40
13	4A003100	Cylinder Liner GF30
14	44503400	Piston Ring FS200S,GF30
15	4A003200	Piston GF30
16	28317000	Piston Pin Retainer (2pcs.) GT33,22,GF30
17	4A006000	Piston Pin GF30
18	4A005000	Connecting Rod GF30
19	4A001000	Crankcase GF30
20	4A066000	Push Rod (2pcs.) GF30
21	45566310	Push Rod Cover "O" Ring (2pcs.)
22	49466100	Push Rod Cover (1pc.) GF30-40
23	44564000	Cam Follower (2pcs.) FS200S,GF30
24	28310000	Lock Nut Set GT33,GF30
24-1	28309000	Propeller Washer GT33,GF30
25	4A008000	Drive Hub GF30
26	45520000	Thrust Washer FS120S,S2,SE,SP
27	29431000	Crankshaft Ball Bearing (Front) 140RX

No.	Code No.	Description
28	45231100	Camshaft Bearing (1pc.) FS40-120S
29	44562000	Camshaft FS200S,GF30
30	44501100	Cam Cover FS200S,GF30
30-1	44501110	"O" Ring FS200S,GF30
31	29701300	Crankcase Plug GT55,33,22,GF30
31-1	29701310	"O" Ring
32	29030001	Crankshaft Ball Bearing (Rear) 61-91F,FX,FR
33	4A002000	Crankshaft GF30
34	28152100	Crank Pin Stop Screw GT22,GF30
35	45508200	Woodruff Key FS120S3,SE,SP
36	29061410	Cover Gasket FS200S,91SZ,GF30
37	4A007000	Cover Plate GF30
38	49407010	PCV Valve Set GF30-40
39	72508100	Pump Unit PD-08 FS200SP,GF30
39-1	29067130	Pan Head Screw (N.+M3x18 10pcs.)
40	74002320	Rotation Sensor GT60,33,22,GF30
40-1	74002321	Rotation Sensor Retaining Screw Set (2pcs.) GT60,33,22
41	4A014110	Intake Manifold Gasket (2pcs.)
42	4A069400	Intake Manifold GF30
43	4A082000	Carburetor Complete (Type 70T) GF30
44	4A069460	Thermo Insulator (2pcs.) GF30
45	49425000	F-6040 Silencer Assembly GF30-40
45-1	49425100	Silencer Body GF30-40
45-2	44525110	Silencer Gasket (2pcs.) F-6010
45-3	44525200	Exhaust Header Pipe Assembly FS200,GF30
45-4	44525210	Exhaust Header Pipe Nut M16 (1pc.) FS200,GF30
	74002810	Ignition Module (IG-07) GF30
	71669020	Spark Plug 1/4-32 (Rcexl) GF30



\* Type of screw

C...Cap Screw B...Binding Screw M...Oval Fillister-Head Screw  
F...Flat Head Screw T...Tapping Screw N...Round Head Screw S...Set Screw

### CAP SCREW SETS (10pcs./sets)

Code No.	Size	Pcs. used in an engine
79871020	M2.6x7	Cam Cover Retaining Screw (2pcs.)
79871040	M2.6x12	Silencer Assembly Screw (4pcs.)
79871140	M3x12	Rocker Cover & Rocker Support Retaining Screw (4pcs.)
79871415	M4x15	Cylinder Retaining Screw (4pcs.)
79871420	M4x20	Intake Manifold Retaining Screw (3pcs.)
79871430	M4x30	Cylinder Head Retaining Screw (5pcs.)
79871515	M5x15	Cover Plate Retaining Screw (4pcs.)
79871540	M5x40	Carburetor Retaining Screw (2pc.)

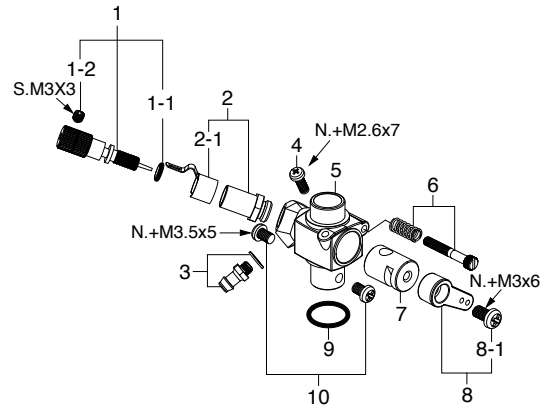
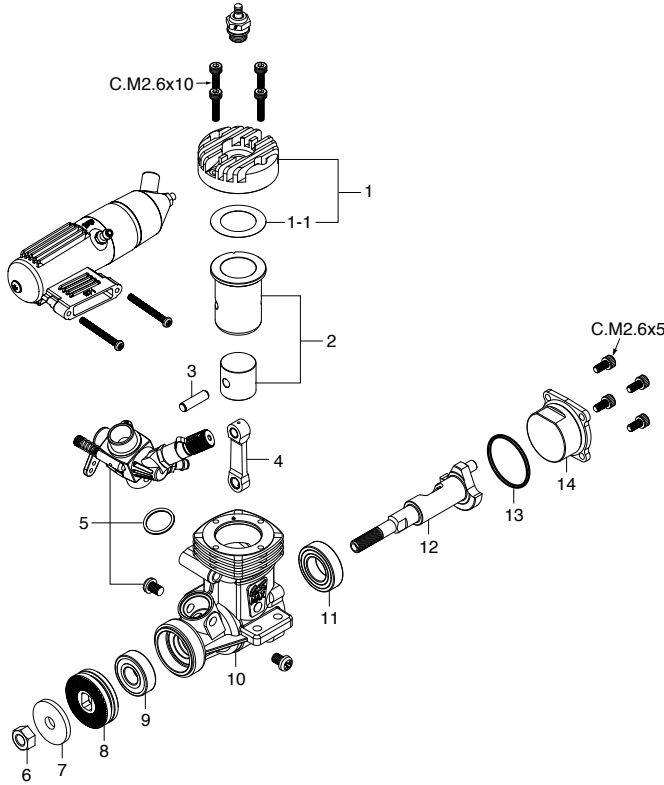
No.	Code No.	Description
1	49404200	Rocker Cover GF40
2	45761600	Rocker Arm Retainer (2pcs./1pair) FS26S-120S,70U
3	49464000	Rocker Support GF30-40
4	42561100	Rocker Arm (1pc.) FSα-155,GF30
5	44561200	Tappet Adjusting Screw (1pair) FS200S,GF30
6	45560410	Split Cotter (2pcs./1pair) FS120S3,SE,GF30
7	49460400	Valve Spring Retainer (1pc.) GF30-40
8	49460200	Valve Spring (1pc.) GF30-40
9	49414300	Rocker Cover Gasket GF40
10	49404100	Cylinder Head (W/Gasket) GF40
10-1	49404160	Head Gasket (1pc.) GF40
11	49460100	Intake Valve (1pc.) GF30-40
12	49460110	Exhaust Valve (1pc.) GF30-40
13	49403400	Piston Ring GF40
14	49403200	Piston GF40
15	29717000	Piston Pin Retainer (2pcs.) GT55,60
16	49406010	Piston Pin GF40
17	49405000	Connecting Rod GF40
18	49403300	Cylinder GF40
19	29122540	Cylinder Gasket E-5020
20	49401000	Crankcase GF40
21	49466000	Push Rod (2pcs.) GF40
22	45566310	Push Rod Cover "O" Ring (2pcs.)
23	49466100	Push Rod Cover (1pc.) GF30-40
24	44564000	Cam Follower (2pcs.) FS200S,GF30
25	28310000	Lock Nut Set GT33,GF30
25-1	28309000	Propeller Washer GT33,GF30
26	49408000	Drive Hub GF40
27	45520000	Thrust Washer FS120S,S2,SE,SP

No.	Code No.	Description
28	29431000	Crankshaft Ball Bearing (Front) 140RX
29	29030001	Crankshaft Ball Bearing (Rear) 61-91F,FX,FR
30	45231100	Camshaft Bearing (1pc.) FS40-120S
31	49462000	Camshaft GF40
32	44514110	"O" Ring
33	49401100	Cam Cover GF40
34	49402000	Crankshaft GF40
35	49402100	Crank Pin Stop Screw GF40
36	29208200	Woodruff Key BGX-1,FT300,IL,FR
37	29122540	Cover Gasket E-5020
38	49407000	Cover Plate GF40
39	49407010	PCV Valve Set GF30-40
40	74002320	Rotation Sensor GT33,22,60,GF30
40-1	74002321	Rotation Sensor Retaining Screw Set (2pcs.) GT33,22,60
41	49469450	Thermo Insulator GF40
42	49414010	Intake Manifold Gasket (2pcs.) GF40
43	49469400	Intake Manifold GF40
44	49415010	Carburetor Gasket Set GF40
45	49481000	Carburetor Complete (WT1070) GF40
45-1	29781360	Choke Arm Assembly (1pc.)
45-2	29781350	N4-40x5 Screw (1pc.)
46	49412000	Velocity Stack GF40
47	49425000	F-6040 Silencer Assembly GF30-40
47-1	49425100	Silencer Body GF30-40
47-2	44525110	Silencer Gasket (2pcs.) F6010
47-3	44525200	Exhaust Header Pipe Assembly FS200,GF30
47-4	44525210	Exhaust Header Pipe Nut M16 (1pc.) FS200,GF30
	74002510	Ignition Module (IG-04) GF40
	71669010	Spark Plug CM-6 (Rcexl) GT15,22,33,55,60,GF40,GT15HZ,600

***EXPLODED VIEWS  
WITH CODE NUMBERS LIST***

**For Airplane  
2-Stroke Glow Engines**





\* Type of screw

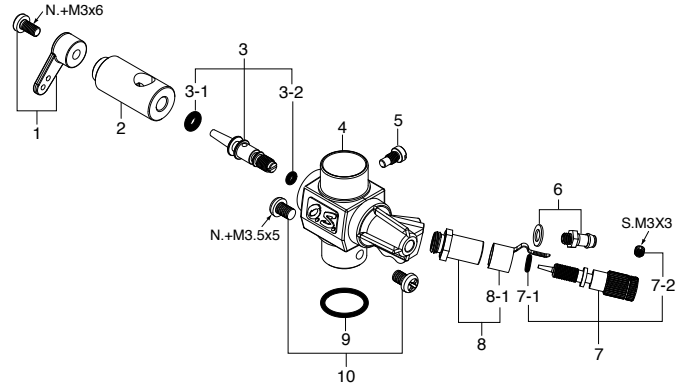
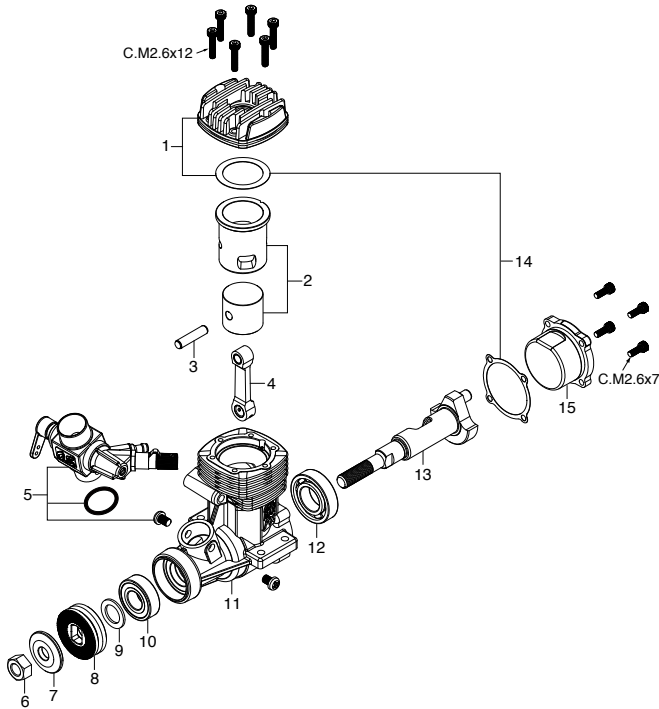
C...Cap Screw B...Binding Screw M...Oval Fillister-Head Screw  
F...Flat Head Screw T...Tapping Screw N...Round Head Screw S...Set Screw

#### CAP SCREW SETS (10pcs./sets)

Code No.	Size	Pcs. used in an engine
79871010	M2.6x5	Cover Plate Retaining Screw (4pcs.)
79871030	M2.6x10	Cylinder Head Retaining Screw (4pcs.)

No.	Code No.	Description
1	2BR04000	Cylinder Head 11CZ-A
1-1	2BR04160	Head Gasket (0.1mm) 11CZ-A
2	2BR03000	Cylinder & Piston Assembly 11CZ-A
3	21106003	Piston Pin 10FP,10FSR
4	21205040	Connecting Rod 15LA,12-15CV,12LD
5	2BR81000	Carburetor Complete (Type 12H) 11CZ-A
6	20810007	Propeller Nut (M5) 10-15LA,15CV
7	21109005	Propeller Washer 10-15LA,15CV
8	2BR08000	Drive Hub 11CZ-A
9	22631020	Crankshaft Ball Bearing (F) 12CV-R,12TR
10	2BR01000	Crankcase 11CZ-A
11	21230020	Crankshaft Ball Bearing (R) 12CV-R,15CV-R
12	2BR02000	Crankshaft 11CZ-A
13	21921800	Cover Gasket (S-16)
14	2BR07000	Cover Plate 11CZ-A
	71605300	Glow Plug No.6 (A3)
	21225000	871 Silencer Assembly
	22325300	Assembly Screw 842,871
	22681957	Pressure Nipple (No.7)
	21225400	Silencer Retaining Screw (M2.6x25 2pcs.)

No.	Code No.	Description
1	25781970	Needle Assembly 55AX-BE
1-1	24981837	"O" Ring For Needle (2pcs.)
1-2	26381501	Set Screw
2	27381940	Needle-valve Holder Assembly 20C,60U,70D,7H
2-1	26711305	Ratchet Spring No.4
3	22681953	Fuel Inlet (No.1)
4	22581300	Rotor Guide Screw 20H 25LA
5	2BR81100	Carburetor Body 12H 11CZ-A
6	22381600	Air Bleed Screw FT160-300,2A,3A
7	2BR81200	Carburetor Rotor 11CZ-A
8	22081408	Throttle Lever Assembly (No.5)
8-1	22081313	Throttle Lever Retaining Screw 1A-3A
9	21015001	Carburetor Rubber Gasket 15LA,RE,1A,15
10	23081706	Carburetor Retaining Screw 25-46LA,49PI



\* Type of screw

C...Cap Screw B...Binding Screw M...Oval Fillister-Head Screw  
F...Flat Head Screw T...Tapping Screw N...Round Head Screw S...Set Screw

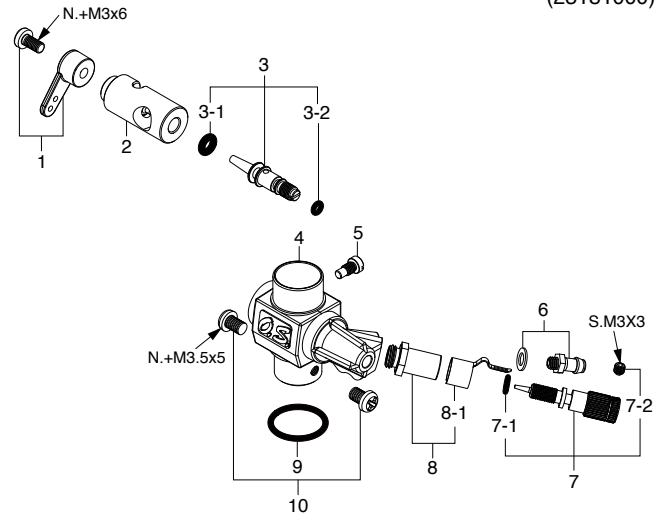
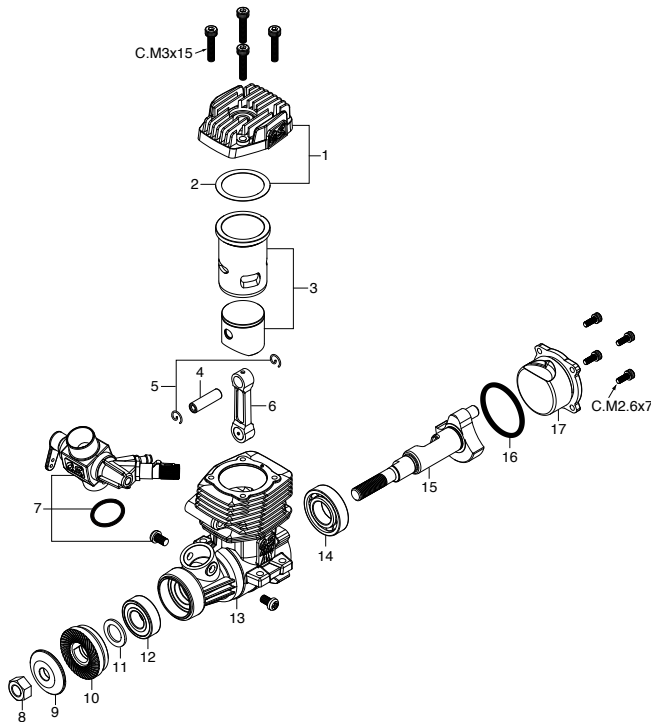
**CAP SCREW SETS (10pcs./sets)**

Code No.	Size	Pcs. used in an engine
79871020	M2.6x7	Cover Plate Retaining Screw (4pcs.)
79871040	M2.6x12	Cylinder Head Retaining Screw (6pcs.)

No.	Code No.	Description
1	22604020	Cylinder Head 25FX
2	22603040	Cylinder Piston Assembly 25FX
3	22606009	Piston Pin 25LA,25FX,25SF ABC
4	22805010	Connecting Rod 25FX,21RF,SE
5	22582000	Carburetor Complete (Type 21L) 25AX
6	23210007	Propeller Nut (1/4-28) 21-61
7	23009006	Propeller Washer 25FX,32SX,FS26S
8	22808000	Drive Hub 25FX,32SX,21RF,SE
9	22620003	Thrust Washer 37SZ,21-32
10	22831000	Crankshaft Ball Bearing (F) 25FX,32SX,37SZ
11	22601050	Crankcase 25FX
12	22630002	Crankshaft Ball Bearing (R) 25-32F,FS30,26SC
13	22602030	Crankshaft 25FX
14	22614010	Gasket Set 25FX
15	22607020	Cover Plate 25FXII
	71608001	Glow Plug No.8
	22628000	892 Silencer Assembly 25FX,SF
	22681957	Pressure Fitting (No.7)
	23325300	Assembly Screw 892,843
	22625404	Retaining Screw (N.+M3x27 2pcs.) E2030,842,C13

No.	Code No.	Description
1	22081408	Throttle Lever Assembly (No.5)
2	22582200	Carburetor Rotor (21L) 25FX
3	29181620	Mixture Control Valve Assembly 70D
3-1	46066319	"O" Ring (L) (2pcs.) P-3
3-2	22781800	"O" Ring (S) (2pcs.) 10D,10F,1H-3H,20E
4	22582100	Carburetor Body (21L) 25FX
5	45581820	Rotor Guide Screw 20C,60MC,70D
6	22681953	Fuel Inlet (No.1)
7	44281970	Needle Assembly 40N,40J
7-1	24981837	"O" Ring (2pcs.) (For Needle)
7-2	26381501	Set Screw
8	27381940	Needle-valve Holder Assembly 20C,60U,70D,7H
8-1	26711305	Ratchet Spring No.4
9	22615000	Carburetor Rubber Gasket 2A-3A,20C,20D
10	23081706	Carburetor Retaining Screw 25-46LA,49PI





\* Type of screw

C...Cap Screw B...Binding Screw M...Oval Fillister-Head Screw

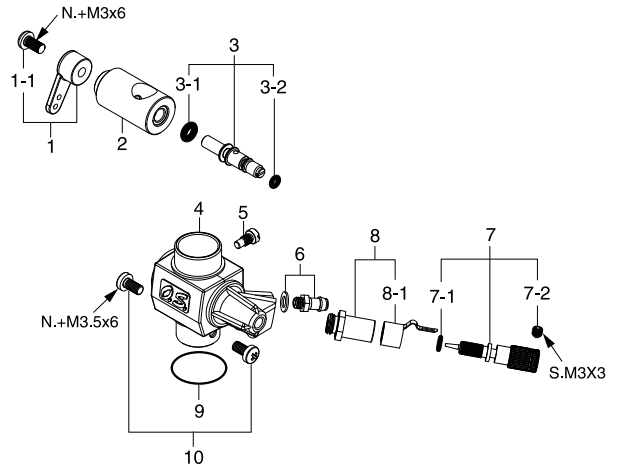
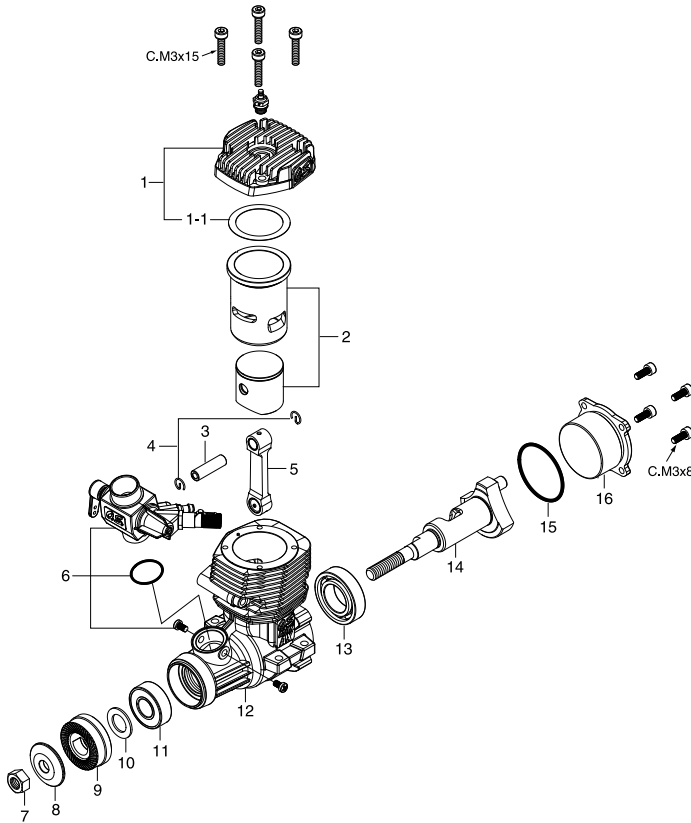
F...Flat Head Screw T...Tapping Screw N...Round Head Screw S...Set Screw

#### CAP SCREW SETS (10pcs./sets)

Code No.	Size	Pcs. used in an engine
79871020	M2.6x7	Cover Plate Retaining Screw (4pcs.)
79871150	M3x15	Cylinder Head Retaining Screw (4pcs.)

No.	Code No.	Description
1	23104000	Cylinder Head 35AX
2	23104100	Head Gasket 35AX
3	23103000	Cylinder & Piston Assembly 35AX
4	23106000	Piston Pin 35AX
5	24517000	Piston Pin Retainer (2pcs.) 30VG,37SZ,46VX
6	23105000	Connecting Rod 35AX,25AX
7	23181000	Carburetor Complete (Type 21K) 35AX
8	23210007	Propeller Nut (1/4-28) 21-61
9	23209003	Propeller Washer 40-61
10	23108000	Drive Hub 35AX,25AX
11	22620003	Thrust Washer 37SZ,21-32
12	22831000	Crankshaft Ball Bearing (F) 25FX,32SX,37SZ
13	23101000	Crankcase 35AX
14	22630002	Crankshaft Ball Bearing (R) 25-32F,FS30,26SC
15	23102000	Crankshaft 35AX
16	23107100	Cover Gasket 35AX,25AX
17	23107000	Cover Plate 35AX,25AX
	71608001	Glow Plug No.8
	72200080	Needle Valve Extension Cable Set
	23125000	E-3080 Silencer Assembly 25-35AX
	23125540	"O" Ring
	23125530	Assembly Screw
	22681957	Pressure Nipple (No.7)
	79871280	Silencer Retaining Screw (C.M3x28 10pcs.)

No.	Code No.	Description
1	22081408	Throttle Lever Assembly (No.5)
2	23181200	Carburetor Rotor (21K) 35AX
3	29181620	Mixture Control Valve Assembly 70D
3-1	46066319	"O" Ring (L) (2pcs.)
3-2	22781800	"O" Ring (S) (2pcs.) 10D,10F,1H-3H,20E
4	23181100	Carburetor Body (21K) 35AX
5	45581820	Rotor Guide Screw 20C,60MC,70D
6	22681953	Fuel Inlet (No.1)
7	44281970	Needle Assembly 40N,40J
7-1	24981837	"O" Ring (2pcs.)
7-2	26381501	Set Screw
8	27381940	Needle-valve Holder Assembly 20C,60U,70D,7H
8-1	26711305	Ratchet Spring No.4
9	22615000	Carburetor Rubber Gasket 2A-3A,20C,20D
10	23081706	Carburetor Retaining Screw 25-46LA,49PI



\* Type of screw

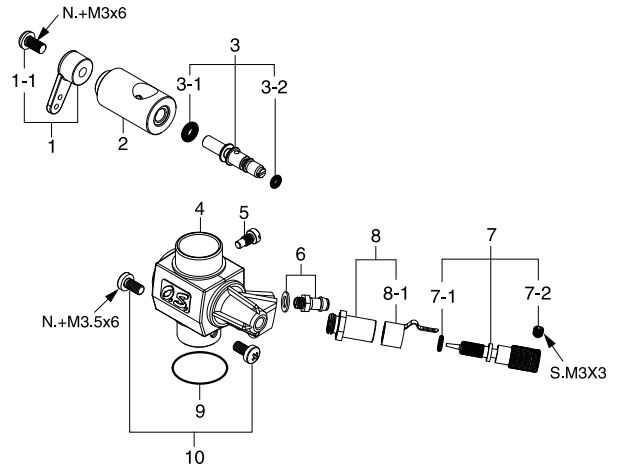
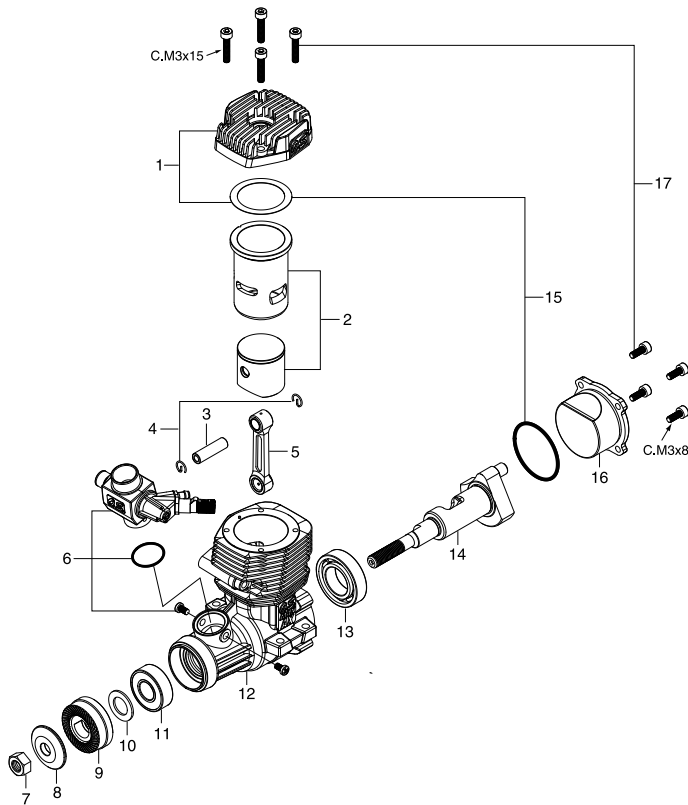
C...Cap Screw B...Binding Screw M...Oval Fillister-Head Screw  
F...Flat Head Screw T...Tapping Screw N...Round Head Screw S...Set Screw

#### CAP SCREW SETS (10pcs./set)

Code No.	Size	Pcs. used in an engine
79871110	M3x8	Cover Plate Retaining Screw (4pcs.)
79871150	M3x15	Cylinder Head Retaining Screw (4pcs.)

No.	Code No.	Description
1	24604010	Cylinder Head 46AX2
1-1	24614010	Head Gasket 46AX
2	24603000	Cylinder & Piston Assembly 46AX
3	24806301	Piston Pin 46AX,FX,FXI,SF
4	24817100	Piston Pin Retainer (2pcs.) 40-46
5	25305002	Connecting Rod 46AX,40-46FX,FXI,SF,VF
6	24681010	Carburetor Complete (Type 40K) 46AX2,55AX
7	23210007	Propeller Nut (1/4-28) 21-61
8	23209003	Propeller Washer 40-61
9	24608020	Drive Hub 46AX2
10	46120000	Thrust Washer 91FX,SXH,SZ,FT160,FF
11	26731002	Crankshaft Ball Bearing (F) 40-61,70S,91S
12	24601010	Crankcase 46AX2
13	26730005	Crankshaft Ball Bearing (R) 46AX,40-46FX
14	24602000	Crankshaft 46AX
15	25804170	Cover Gasket 55HZ
16	24607010	Cover Plate 46AX2
	71605300	Glow Plug No.6
	72200080	Needle Valve Extension Cable Set
	24625211	E-3071 Silencer Assembly 46AX2
	24625125	"O" Ring E-3070
	25625300	Assembly Screw E-3020 55AX
	22681957	Pressure Nipple (No.7)
	25425400	Silencer Retaining Screw (C.M3x35 2pcs.) E-3020,873

No.	Code No.	Description
1	22081408	Throttle Lever Assembly (No.5)
1-1	22081313	Throttle Lever Retaining Screw 1A-3A
2	24681210	Carburetor Rotor (40K) 46AX2
3	25781600	Mixture Control Valve Assembly 40J 55AX
3-1	46066319	"O" Ring (L) (2pcs.)
3-2	22781800	"O" Ring (S) (2pcs.) 10D,10F,1H-3H,20E
4	24681110	Carburetor Body (40K) 46AX2
5	45581820	Rotor Guide Screw 20C,60MC,70D
6	22681953	Fuel Inlet (No.1)
7	44281970	Needle Assembly 40N,40J
7-1	24981837	"O" Ring (2pcs.)
7-2	26381501	Set Screw
8	27381940	Needle-valve Holder Assembly 20C,60U,70D,7H
8-1	26711305	Ratchet Spring (No.4)
9	46215000	Carburetor Rubber Gasket 40-61,FT
10	25081700	Carburetor Retaining Screw 21-50



\* Type of screw

C...Cap Screw B...Binding Screw M...Oval Fillister-Head Screw

F...Flat Head Screw T...Tapping Screw N...Round Head Screw S...Set Screw

No.	Code No.	Description
1	25704000	Cylinder Head 55AX
2	25703000	Cylinder & Piston Assembly 55AX,BE
3	25206000	Piston Pin 50SX-H,HG,55AX,BE
4	25217000	Piston Pin Retainer (2pcs.) 50SX-H,HG,55AX
5	25205000	Connecting Rod 50SX-H,HG,55AX,BE
6	24681010	Carburetor Complete (Type 40K) 46AX2,55AX
7	23210007	Propeller Nut (1/4-28) 21-61
8	23209003	Propeller Washer 40-61
9	24608000	Drive Hub 46AX,55AX
10	46120000	Thrust Washer 91FX,SXH,SZ,FT160,FF
11	26731002	Crankshaft Ball Bearing (F) 40-61,70S,91S
12	25701000	Crankcase 55AX,BE
13	25830010	Crankshaft Ball Bearing (R) 50SX-H,55AX,HZ
14	25702000	Crankshaft 55AX,BE
15	25714000	Gasket Set 55AX,BE
16	25707000	Cover Plate 55AX,BE
17	24613000	Screw Set 46AX,55AX,BE
	71608001	Glow Plug No.8
	72200080	Needle Valve Extension Cable Set
	24625211	E-3071 Silencer Assembly 46AX2,55AX
	24625125	"O" Ring E-3070
	25625300	Assembly Screw E-3020 55AX
	22681957	Pressure Nipple (No.7)
	25425400	Silencer Retaining Screw (C.M3x35 2pcs.) E-3020,873

No.	Code No.	Description
1	22081408	Throttle Lever Assembly (No.5)
1-1	22081313	Throttle Lever Retaining Screw 1A-3A
2	24681210	Carburetor Rotor (40K) 46AX2
3	25781600	Mixture Control Valve Assembly 40J 55AX
3-1	46066319	"O" Ring (L) (2pcs.)
3-2	22781800	"O" Ring (S) (2pcs.) 10D,10F,1H-3H,20E
4	24681110	Carburetor Body (40K) 46AX2
5	45581820	Roter Guide Screw 20C,60MC,70D
6	22681953	Fuel Inlet (No.1)
7	44281970	Needle Assembly 40N,40J
7-1	24981837	"O" Ring (2pcs.)
7-2	26381501	Set Screw
8	27381940	Needle-valve Holder Assembly 20C,60U,70D,7H
8-1	26711305	Ratchet Spring (No.4)
9	46215000	Carburetor Rubber Gasket 40-61,FT
10	25081700	Carburetor Retaining Screw 21-50

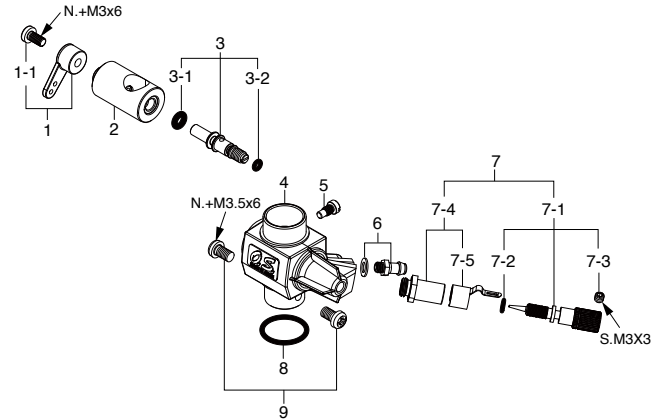
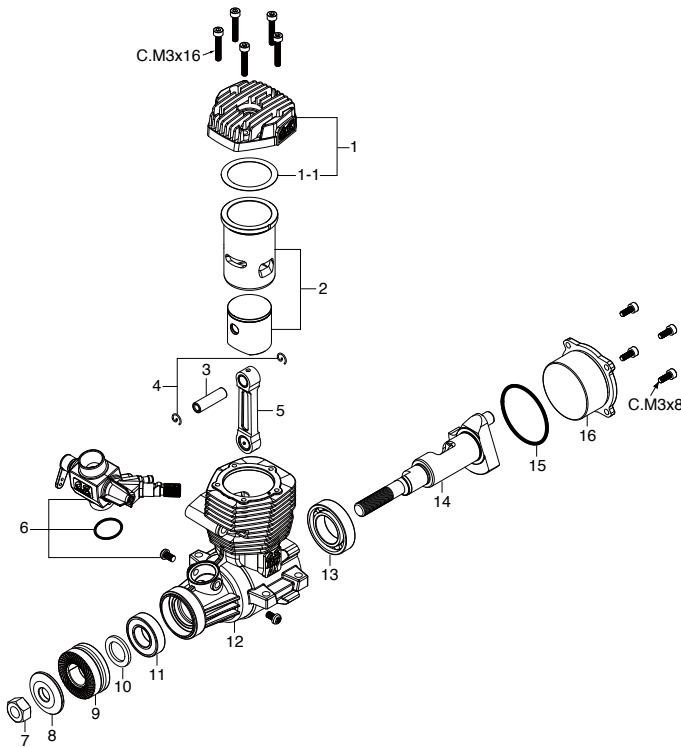
## MAX-65AX

W/E-4050 Silencer (16520)

W/E-4010A Silencer (16521)

## TYPE 61D

(26981000)



\* Type of screw

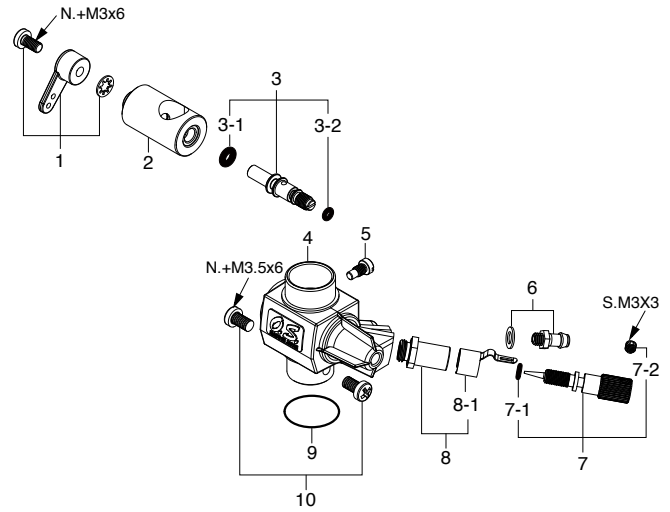
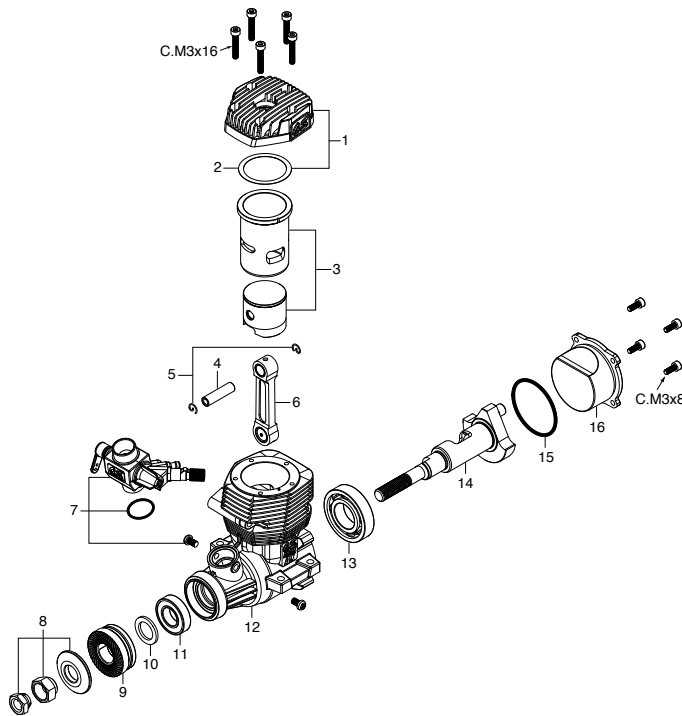
C...Cap Screw B...Binding Screw M...Oval Fillister-Head Screw  
F...Flat Head Screw T...Tapping Screw N...Round Head Screw S...Set Screw

### CAP SCREW SETS (10pcs./sets)

Code No.	Size	Pcs. used in an engine
79871110	M3x8	Cover Plate Retaining Screw (4pcs.)
79871160	M3x16	Cylinder Head Retaining Screw (5pcs.)

No.	Code No.	Description
1	26904000	Cylinder Head 65AX
1-1	26904160	Head Gasket 65AX
2	26903000	Cylinder & Piston Assembly 65AX
3	26606008	Piston Pin 91HZ,61SX-H,61FSR
4	27917000	Piston Pin Retainer (2pcs.) 91FX,SZ,SX-H
5	29115000	Connecting Rod 95AX
6	26981000	Carburetor Complete (Type 61D) 65AX
7	45010002	Propeller Nut (5/16-24) 61-91
8	28009002	Propeller Washer 61FX,65LA,91VR-DF
9	26908000	Drive Hub 65AX
10	29320000	Thrust Washer 61FX,160FX,BGX-1
11	27731000	Crankshaft Ball Bearing (F) 61FX
12	26901000	Crankcase 65AX
13	27130020	Crankshaft Ball Bearing (R) 65AX
14	26902000	Crankshaft 65AX
15	24625125	Gasket Set E-3070
16	26907000	Cover Plate 65AX
	71608001	Glow Plug No.8
	72200080	Needle Valve Extension Cable Set
	27426000	E-4050 Silencer Assembly (65AX) (IN COWL)
	79871120	Assembly Screw (C.M3x10 10pcs.)
	22681957	Pressure Nipple (No.7)
	26625210	Silencer Retaining Screw (C.M4x40 2pcs.) E-4040,4020
	26028050	E-4010A Silencer Assembly (65AX)
	26028120	Assembly Screw E-4010A
	27414020	"O" Ring (S-36) 75AX
	22681957	Pressure Nipple (No.7)
	26625210	Silencer Retaining Screw (C.M4x40 2pcs.) E-4040,4020

No.	Code No.	Description
1	22081408	Throttle Lever Assembly (No.5)
1-1	22081313	Throttle Lever Retaining Screw 1A-3A
2	26981200	Carburetor Rotor (61D) 65AX
3	25781600	Mixture Control Valve Assembly (40J) 55AX
3-1	46066319	"O" Ring (L) (2pcs.)
3-2	22781800	"O" Ring (S) (2pcs.) 10D,10F,1H-3H,20E
4	26981100	Carburetor Body (61D) 65AX
5	45581820	Rotor Guide Screw 20C,60MC,70D
6	22681953	Fuel Inlet (No.1)
7	25581900	Needle-valve Assembly 40A,60U,70D
7-1	22681980	Needle Assembly 20D,20F,20G,21G,40B,70D
7-2	24981837	"O" Ring (2pcs.)
7-3	26381501	Set Screw
7-4	27381940	Needle-valve Holder Assembly 20C,60U,70D,7H
7-5	26711305	Ratchet Spring No.4
8	46215000	Carburetor Rubber Gasket 40-61,FT
9	25081700	Carburetor Retaining Screw 21-50



\* Type of screw

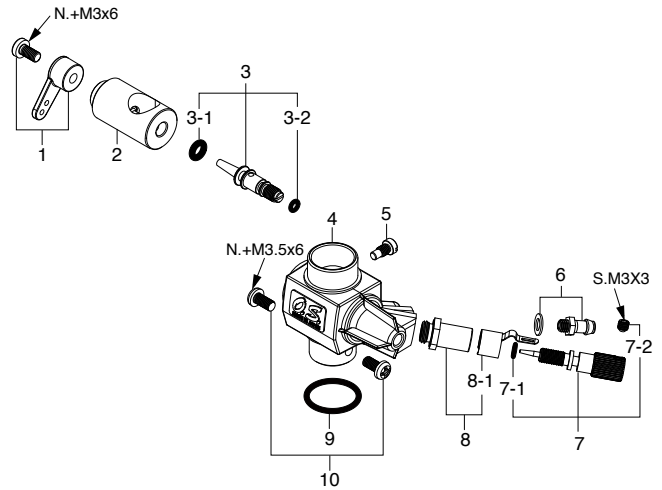
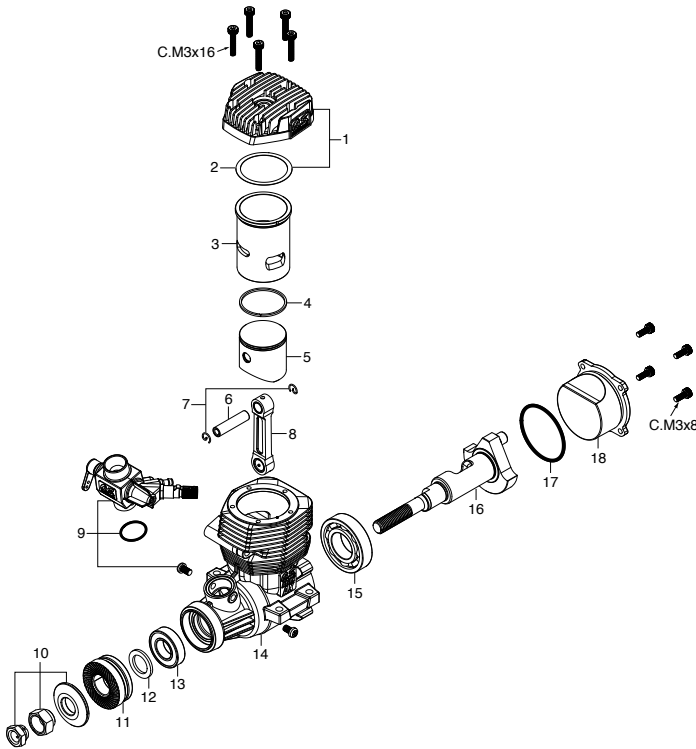
C...Cap Screw B...Binding Screw M...Oval Fillister-Head Screw  
F...Flat Head Screw T...Tapping Screw N...Round Head Screw S...Set Screw

**CAP SCREW SETS** (10pcs./sets)

Code No.	Size	Pcs. used in an engine
79871110	M3x8	Cover Plate Retaining Screw (4pcs.)
79871160	M3x16	Cylinder Head Retaining Screw (5pcs.)

No.	Code No.	Description
1	27404000	Cylinder Head 75AX
2	27414010	Head Gasket 75AX
3	27403000	Cylinder & Piston Assembly 75AX
4	27406000	Piston Pin 75AX
5	27917000	Piston Pin Retainer (2pcs.) 91FX,SZ,SXH
6	29115000	Connecting Rod 95AX
7	27482010	Carburetor Complete (Type 61A) 75AX
8	45910100	Lock Nut Set FS70S2,91S,91FX
9	27408000	Drive Hub 75AX
10	29320000	Thrust Washer 61FX,160FX,BGX-1
11	27731000	Crankshaft Ball Bearing (F) 61FX
12	27401000	Crankcase 75AX
13	29030001	Crankshaft Ball Bearing (R) 61-91F,FX,FR
14	27402000	Crankshaft 75AX
15	27414020	Cover Gasket 75AX
16	27407000	Cover Plate 75AX
	71608001	Glow Plug No.8
	72200080	Needle Valve Extension Cable Set
	27425011	E-4040 Silencer Assembly 75,95AX,GT15
	29122540	"O" Ring (2pcs.) E-5020
	27425300	Assembly Screw 75AX
	22681957	Pressure Nipple (No.7)
	26625210	Silencer Retaining Screw (C.M4x40 2pcs.) E-4020

No.	Code No.	Description
1	27881400	Throttle Lever Assembly 70N,C14,60F,70D
2	27482200	Carburetor Rotor (61A) 75AX
3	25781600	Mixture Control Valve Assembly (40J) 55AX
3-1	46066319	"O" Ring (L) (2pcs.)
3-2	22781800	"O" Ring (S) (2pcs.) 10D,10F,1H-3H,20E
4	27482100	Carburetor Body (61A) 75AX
5	45581820	Rotor Guide Screw 20C,60MC,70D
6	22681953	Fuel Inlet (No.1)
7	24081970	Needle Assembly 40LA,75AX,91FX,FS91S2
7-1	24981837	"O" Ring (2pcs.)
7-2	26381501	Set Screw
8	27381940	Needle-valve Holder Assembly 20C,60U,70D,7H
8-1	26711305	Ratchet Spring No.4
9	46215000	Carburetor Rubber Gasket 40-61,FT
10	25081700	Carburetor Retaining Screw 21-50



\* Type of screw

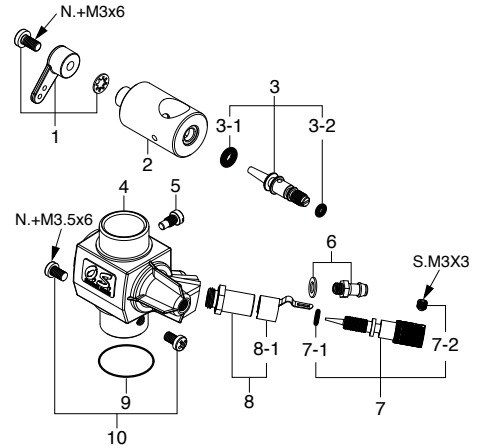
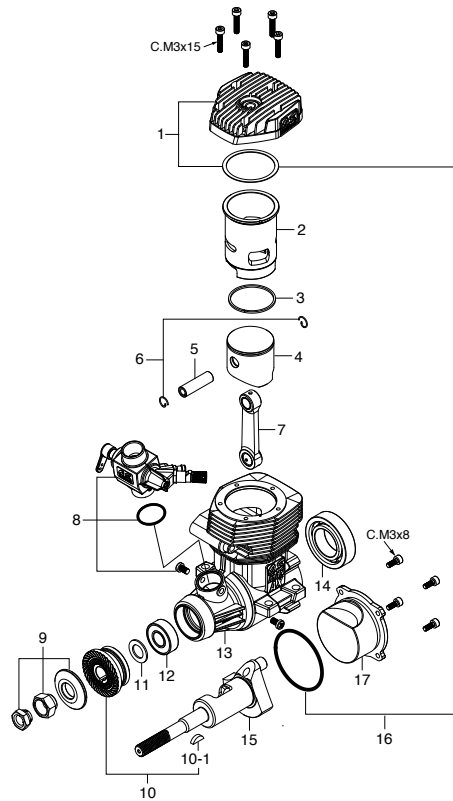
C...Cap Screw B...Binding Screw M...Oval Fillister-Head Screw  
F...Flat Head Screw T...Tapping Screw N...Round Head Screw S...Set Screw

**CAP SCREW SETS (10pcs./sets)**

Code No.	Size	Pcs. used in an engine
79871110	M3x8	Cover Plate Retaining Screw (4pcs.)
79871160	M3x16	Cylinder Head Retaining Screw (5pcs.)

No.	Code No.	Description
1	29114000	Cylinder Head 95AX
2	44714100	Head Gasket FS70U,FS72-81
3	29113100	Cylinder Liner 95AX
4	29503400	Piston Ring 91FX,91SX,91RZ-H
5	29113200	Piston 95AX
6	45406000	Piston Pin FS90,FT160,91FX,91SX
7	27917000	Piston Pin Retainer (2pcs.) 91FX,SZ,SX-H
8	29115000	Connecting Rod 95AX
9	29087000	Carburetor Complete (Type 61C) 95AX
10	45910100	Lock Nut Set FS70S2,91S,91FX
11	27408000	Drive Hub 75AX
12	29320000	Thrust Washer 61FX,160FX,BGX-1
13	27731000	Crankshaft Ball Bearing (F) 61FX
14	29111000	Crankcase 95AX
15	29030001	Crankshaft Ball Bearing (R) 61-91F,FX,FR
16	29112000	Crankshaft 95AX
17	27414020	Cover Gasket 75AX
18	27407000	Cover Plate 75AX
	71608001	Glow Plug No.8
	72200080	Needle Valve Extension Cable Set
	27425011	E-4040 Silencer Assembly 75,95AX,GT15
	29122540	"O" Ring (2pcs.) E-5020
	27425300	Assembly Screw E4040 75AX
	22681957	Pressure Nipple (No.7)
	26625210	Silencer Retaining Screw (C.M4x40 2pcs.) E-4020

No.	Code No.	Description
1	22081408	Throttle Lever Assembly (No.5)
2	29087200	Carburetor Rotor (61C) 95AX
3	29181620	Mixture Control Valve Assembly 70D
3-1	46066319	"O" Ring (L) (2pcs.)
3-2	22781800	"O" Ring (S) (2pcs.) 10D,10F,1H-3H,20E
4	29087100	Carburetor Body (61C) 95AX
5	45581820	Rotor Guide Screw 20C,60MC,70D
6	22681953	Fuel Inlet (No.1)
7	24081970	Needle Assembly 40LA,75AX,91FX,FS91S2
7-1	24981837	"O" Ring (2pcs.)
7-2	26381501	Set Screw
8	27381940	Needle-valve Holder Assembly 20C,60U,70D,7H
8-1	26711305	Ratchet Spring No.4
9	46215000	Carburetor Rubber Gasket 40-61,FT
10	25081700	Carburetor Retaining Screw 21-50



\*Type of screw

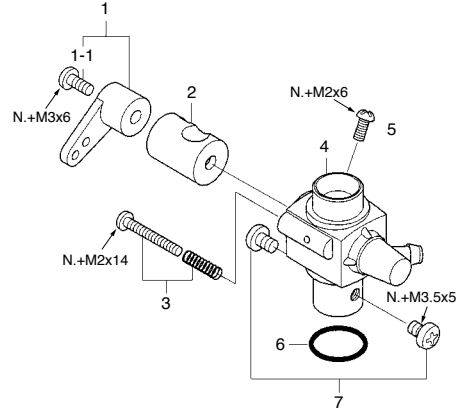
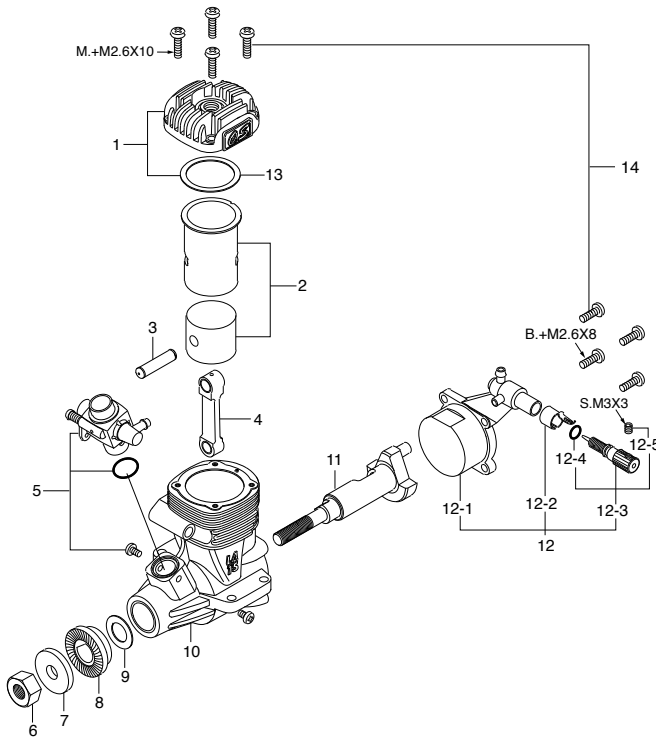
C...Cap Screw B...Binding Screw M...Oval Fillister-Head Screw  
F...Flat Head Screw T...Tapping Screw N...Round Head Screw S...Set Screw

#### CAP SCREW SETS (10pcs./sets)

Code No.	Size	Pcs. used in an engine
79871110	M3x8	Cover Plate Retaining Screw (4pcs.)
79871150	M3x15	Cylinder Head Retaining Screw (5pcs.)

No.	Code No.	Description
1	29124000	Cylinder Head 120AX
2	29123100	Cylinder Liner 120AX
3	29123400	Piston Ring 120AX
4	29123200	Piston 120AX
5	29206000	Piston Pin 120AX,108FSR
6	28117000	Piston Pin Retainer (2pcs.) 120AX,81VR,108F
7	29125000	Connecting Rod 120AX
8	29182000	Carburetor Complete (Type 70D) 120AX
9	45910100	Locknut Set FS70S2,91S,91FX
10	29128000	Drive Hub 120AX
10-1	29008219	Woodruff Key 61,90,91
11	46120000	Thrust Washer 91FX,SXH,SZ,FT160,FF
12	26731010	Crankshaft Ball Bearing (F) 120AX
13	29121000	Crankcase 120AX
14	46030008	Crankshaft Ball Bearing (R) 120AX,FT160,FF
15	29122000	Crankshaft 120AX
16	29121400	Gasket Set 120AX
17	29127000	Cover Plate 120AX
	71608001	Glow Plug No.8
	72200080	Needle Valve Extension Cable Set
	29122500	E-5020 Silencer Assembly 120AX
	29122540	Gasket E-5020
	29122530	Assembly Screw E-5020
	22681957	Pressure Nipple (No.7)
	29122520	Silencer Retaining Screw (C.M4x45 2pcs.) E-5020
	29122600	E-5020 Silencer Extension Adapter
	29122610	Extention Adapter Retaining Screw (M4x90 2pcs.) E-5020
	29122700	E-5020 Silencer 90° Adapter 120AX
	29122510	90° Adapter Retaining Screw (M4x20 2pcs.) E-5020

No.	Code No.	Description
1	27881400	Throttle Lever Assembly 70N,C14,60F,70D
2	29182200	Carburetor Rotor (70D) 120AX
3	29181620	Mixture Control Valve Assembly 70D
3-1	46066319	"O" Ring (L) (2pcs.)
3-2	22781800	"O" Ring (S) (2pcs.) 10D,10F,1H-3H,20E
4	29182100	Carburetor Body (70D) 120AX
5	45581820	Roter Guide Screw 20C,60MC,70D
6	22681953	Fuel Inlet (No.1)
7	22681980	Needle-valve Assembly 20D,20F,20G,21G,40B,70D
7-1	24981837	"O" Ring (2pcs.)
7-2	26381501	Set Screw
8	27381940	Needle-valve Holder Assembly 20C,60U,70D,7H
8-1	26711305	Ratchet Spring No.4
9	29015019	Carburetor Rubber Gasket 20E,60F,60MC,70D
10	25081700	Carburetor Retaining Screw 21-50



\*Type of screw

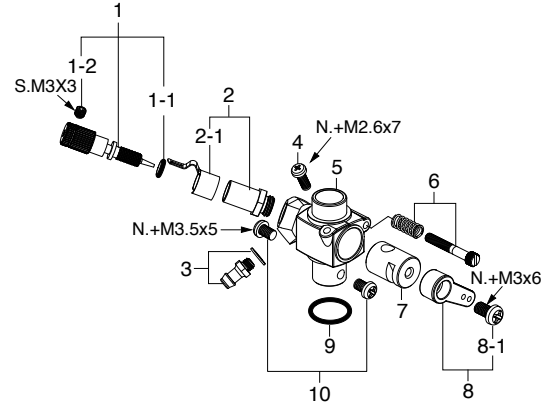
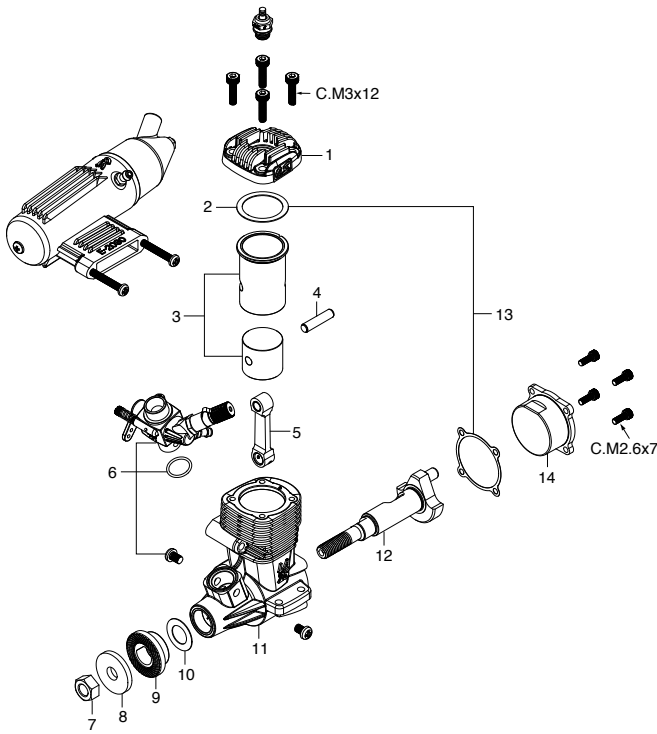
C...Cap Screw B...Binding Screw M...Oval Fillister-Head Screw

F...Flat Head Screw T...Tapping Screw N...Round Head Screw S...Set Screw

No.	Code No.	Description
1	21754010	Cylinder Head (Silver) 15LA
2	21753000	Cylinder & Piston Assembly 15LA
3	21706000	Piston Pin 15LA,FP,CV,LD
4	21205040	Connecting Rod 15LA,12-15CV,12LD
5	21783000	Carburetor Complete (10G) 15LA
6	20810007	Propeller Nut (M5) 10-15LA,15CV
7	21109005	Propeller Washer 10-15LA,15CV
8	21758000	Drive Hub 15LA
9	21620006	Thrust Washer 10-15LA,10-15FP
10	21751010	Crankcase (Silver) 15LA
11	21752000	Crankshaft 15LA
12	21757000	Cover Plate Assembly 15LA
12-1	21757100	Cover Plate 15LA
12-2	26711305	Ratchet Spring No.4
12-3	21781970	Needle 10LA,15LA
12-4	24981837	"O" Ring
12-5	26381501	Set Screw
13	21714100	Head Gasket 15LA
14	21713000	Screw Set 15LA
	71605300	Glow Plug N0.6 (Former A3)
	21225000	871 Silencer
	22681957	Pressure Fitting No.7
	22325300	Assembly Screw 842,871
	21225400	Retaining Screw(N.+M2.6x25 2pcs.)

No.	Code No.	Description
1	22081408	Throttle Lever Assembly (No.5)
1-1	22081313	Throttle Lever Fixing Screw 1A-3A
2	21781200	Carburetor Rotor 15LA,FS26S-C
3	21783600	Air-bleed Screw (10G) 15LA
4	21783100	Carburetor Body (10G) 15LA
5	21783300	Throttle Stop Screw (10G) 15LA
6	21015001	Carburetor Gasket 15LA,RE,1A,15
7	23081706	Carburetor Retaining Screw 25-46LA,49PI





\*Type of screw

C...Cap Screw B...Binding Screw M...Oval Fillister-Head Screw  
F...Flat Head Screw T...Tapping Screw N...Round Head Screw S...Set Screw

**CAP SCREW SETS (10pcs./sets)**

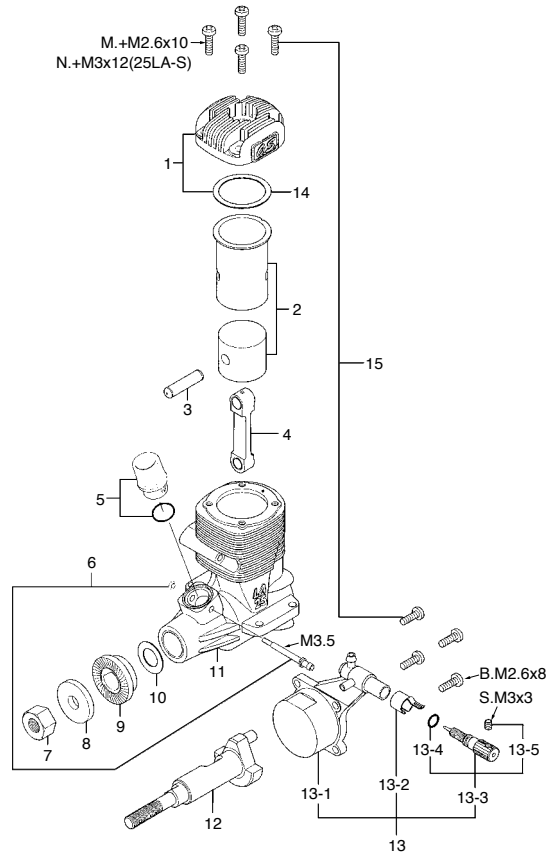
Code No.	Size	Pcs. used in an engine
79871020	M2.6x7	Cover Plate Retaining Screw (4pcs.)
79871140	M3x12	Cylinder Head Retaining Screw (4pcs.)

No.	Code No.	Description
1	22554010	Cylinder Head 25LA SILVER
2	22564000	Head Gasket (0.4mm) 25LA
3	22553000	Cylinder & Piston Assembly 25LA
4	22606009	Piston Pin 25LA,25FX,25SFABC
5	22405013	Connecting Rod 25LA,20-25FP,21-28F
6	22381010	Carburetor Complete (Type 22F) 25LAII
7	23210007	Propeller Nut (1/4-28) 21-61
8	24009000	Propeller Washer 25LA-46LA
9	22558000	Drive Hub 25LA
10	22020001	Thrust Washer 25LA-46LA,20-40FP
11	22551010	Crankcase 25LA SILVER
12	22302000	Crankshaft 25LA,20-25FP
13	22364000	Gasket Set 25FP
14	22307000	Cover Plate 20-25FP
	71605300	Glow Plug No.6 (A3)
	22325020	E-2030 Silencer Assembly 25LA,20-25FP
	22325310	Assembly Screw E-2030
	22681957	Pressure Nipple (No.7)
	22625404	Silencer Retaining Screw (M3x27 2pcs.) E-2030,842,C13

No.	Code No.	Description
1	44281970	Needle Assembly 40N,40J
1-1	24981837	"O" Ring For Needle (2pcs.)
1-2	26381501	Set Screw
2	27381940	Needle-valve Holder Assembly 20C,60U,70D,7H
2-1	26711305	Ratchet Spring (No.4)
3	22681953	Fuel Inlet (No.1)
4	22581300	Roter Guide Screw 20H 25LA
5	22381110	Carburetor Body 22F 25LAII
6	22381600	Air Bleed Screw FT 160-300,2A,3A
7	22381200	Carburetor Rotor 20H,2A
8	22081408	Throttle Lever Assembly (No.5)
8-1	22081313	Throttle Lever Retaining Screw 1A-3A
9	22615000	Carburetor Rubber Gasket 2A-3A,20C,20D
10	23081706	Carburetor Retaining Screw 25-46LA,49PI

## MAX-15LA-S (11536)

## MAX-25LA-S Discontinued (12361)



\* Type of screw

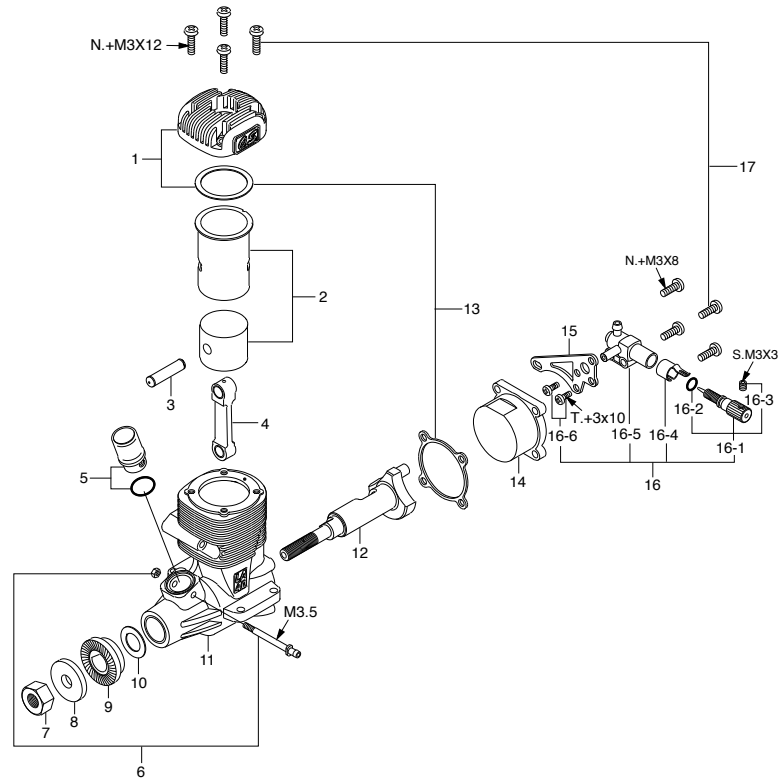
C...Cap Screw B...Binding Screw M...Oval Fillister-Head Screw  
F...Flat Head Screw T...Tapping Screw N...Round Head Screw S...Set Screw

### MAX-15LA-S

No.	Code No.	Description
1	21754010	Cylinder Head (Silver) 15LA
2	21753000	Cylinder & Piston Assembly 15LA
3	21706000	Piston Pin 15LA,FP,CV,LD
4	21205040	Connecting Rod 15LA,12-15CV,12LD
5	21712010	Venturi 15LA-S,FP-S
6	21381970	Nozzle For Remote Needle 15LA-S,FP-S
7	20810007	Propeller Nut (M5) 10-15LA,CV
8	21109005	Propeller Washer 10-15LA,15CV
9	21758000	Drive Hub 15LA
10	21620006	Thrust Washer 10-15LA,10-15FP
11	21751010	Crankcase (Silver) 15LA
12	21752000	Crankshaft 15LA
13	21757000	Cover Plate Assembly 15LA
13-1	21757100	Cover Plate 15LA
13-2	26711305	Ratchet Spring No.4
13-3	21781970	Needle 10LA,15LA
13-4	24981837	"O" Ring
13-5	26381501	Set Screw
14	21714100	Head Gasket 15LA
15	21713000	Screw Set 15LA
	71605300	Glow Plug No.6 (Former A3)
	21225000	871 Silencer
	22681957	Pressure Fitting No.7
	22325300	Assembly Screw 842,871
	21225400	Retaining Screw(N.+M2.6x25 2pcs.)

### MAX-25LA-S

No.	Code No.	Description
1	22554010	Cylinder Head (Silver) 25LA
2	22553000	Cylinder & Piston Assembly 25LA
3	22606009	Piston Pin 25LA,25FX,25FXABC
4	22405013	Connecting Rod 25LA,20-25FP,21-28F
5	22312000	Venturi 25LA-S,20-25FP-S
6	21381980	Nozzle For Remote Needle 25LA-S
7	23210007	Propeller Nut (1/4-28) 21-61
8	24009000	Propeller Washer 25LA-46LA
9	22558000	Drive Hub 25LA
10	22020001	Thrust Washer 25-46LA,20-40FP
11	22551010	Crankcase (Silver) 25LA
12	22302000	Crankshaft 25LA,20-25FP
13	22557000	Cover Plate Assembly 25LA
13-1	22557100	Cover Plate 25LA
13-2	26711305	Ratchet Spring No.4
13-3	24081970	Needle 40LA,75AX,91FX,FS91S2
13-4	24981837	"O" Ring
13-5	26381501	Set Screw
14	22564000	Head Gasket 25LA
15	22563000	Screw Set 25LA
	71605300	Glow Plug No.6 (Former A3)
	22325020	E-2030 Silencer 20-25FP,25LA
	22681957	Pressure Fitting No.7
	22325310	Assembly Screw E-2030
	22625404	Retaining Screw(N.+M3x27 2pcs.) E-2030,842,C13



\*Type of screw

C...Cap Screw B...Binding Screw M...Oval Fillister-Head Screw

F...Flat Head Screw T...Tapping Screw N...Round Head Screw S...Set Screw

No.	Code No.	Description
1	24004110	Cylinder Head (Silver) 46LA
2	24003100	Cylinder & Piston Assembly 46LA
3	45806000	Piston Pin 46LA,FS48S,52S
4	24005000	Connecting Rod 40-46LA
5	23312000	Venturi (L) 40-46LA-S,40FP-S
6	21381980	Nozzle For Remote Needle 25LA-S
7	23210007	Propeller Nut (1/4-28) 21-61
8	24009000	Propeller Washer 25LA-46LA
9	24008000	Drive Hub 40-46LA
10	22020001	Thrust Washer 25-46LA,20-40FP
11	24001110	Crankcase (Silver) 46LA
12	23302000	Crankshaft 40-46LA,35-40FP
13	24014100	Gasket Set 46LA
14	24007110	Cover Plate 40,46LA
15	24007120	Needle Valve Assembly Bracket 40,46LA
16	26582900	Needle Valve Assembly 40,46,65LA
16-1	24081970	Needle 40LA,75AX,91FX,FS91S2
16-2	24981837	"O" Ring
16-3	26381501	Set Screw
16-4	26711305	Ratchet Spring No.4
16-5	26582910	Needle Valve Body 65LA
16-6	26582920	Needle Valve Body Retaining Screw 65LA
17	24013000	Screw Set 40-46LA
	71605300	Glow Plug No.6 (Former A3)
	23325020	E-3030 Silencer 32SX,40-46LA
	22681957	Pressure Fitting No.7
	23325320	Assembly Screw E-3030
	23325400	Retaining Screw(N.+3x30 2pcs.) 843,E-3030

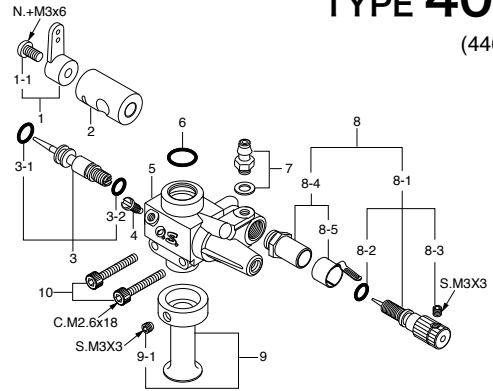
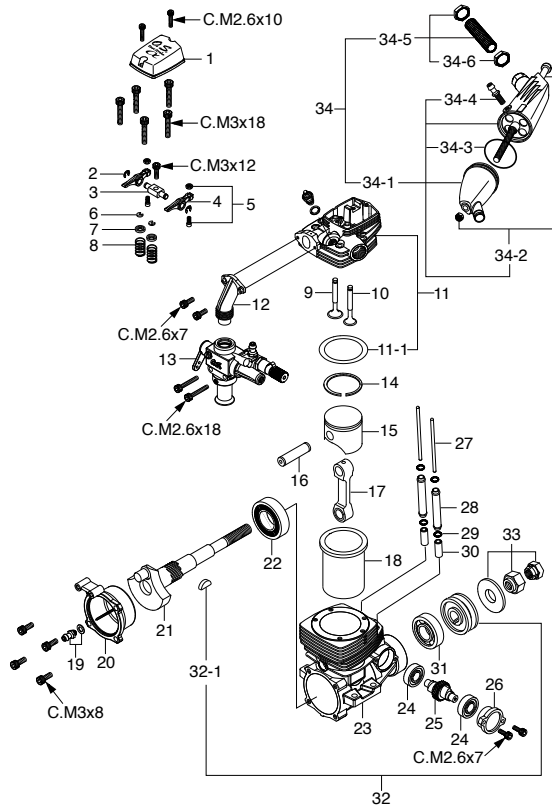
***EXPLODED VIEWS  
WITH CODE NUMBERS LIST***

**For Airplane  
4-Stroke Glow Engines**



\* Type of screw

C...Cap Screw B...Binding Screw M...Oval Fillister-Head Screw  
F...Flat Head Screw T...Tapping Screw N...Round Head Screw S...Set Screw



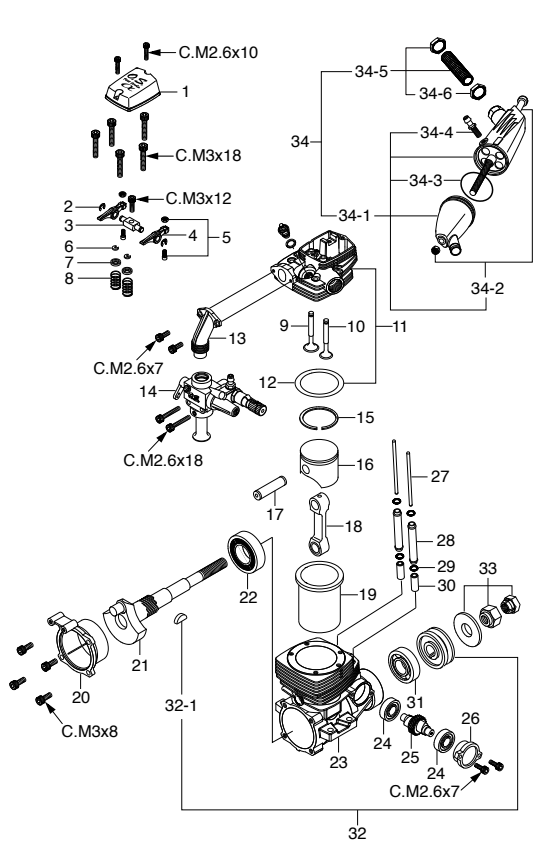
### CAP SCREW SETS (10pcs./sets)

Code No.	Size	Pcs. used in an engine
79871020	M2.6x7	Cam Cover Retaining Screw (2pcs.) Intake Manifold Retaining Screw (2pcs.)
79871030	M2.6x10	Rocker Cover Retaining Screw (2pcs.)
79871055	M2.6x18	Carburetor Retaining Screw (2pcs.)
79871110	M3x8	Cover Plate Retaining Screw (4pcs.)
79871140	M3x12	Rocker Support Retaining Screw (1pc.)
79871180	M3x18	Cylinder Head Retaining Screw (5pcs.)

No.	Code No.	Description
1	22081408	Throttle Lever Assembly (No.5)
1-1	22081313	Throttle Lever Retaining Screw 1A-3A
2	44681200	Carburetor Rotor (40N) FS $\alpha$ -56
3	44681600	Mixture Control Nozzle Assembly FS $\alpha$ -56
3-1	46066319	"O" Ring (L) (2pcs.)
3-2	24881824	"O" Ring (S) (2pcs.) (7B)
4	21285220	Rotor Guide Screw 10C,10F,60U
5	44281100	Carburetor Body (40N) FS52S
6	45115000	Carburetor Rubber Gasket (1pc.) FS52S,FR
7	22681953	Fuel Inlet (No.1)
8	44281900	Needle Valve Assembly 40N,40J
8-1	44281970	Needle Assembly 40N,40J
8-2	24981837	"O" Ring (2pcs.)
8-3	26381501	Set Screw
8-4	27381940	Needle Valve Holder Assembly 20C,60U,70D,7H
8-5	26711305	Ratchet Spring No.4
9	44681300	Velocity Stack FS $\alpha$ -56
9-1	26381501	Set Screw
10	79871055	Carburetor Retaining Screw (10pcs.)

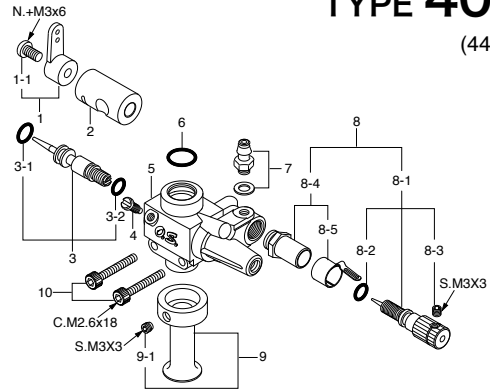
No.	Code No.	Description
1	44604220	Rocker Cover (Black) FS $\alpha$ -56II
2	45761600	Rocker Arm Retainer (2pcs.) FS26S-120S,70U
3	45261410	Rocker Support (1pc.) FS40S,48S,52S
4	45261110	Rocker Arm (1pc.) FS40S,48S,52S
5	45761200	Tappet Adjusting Screw (1pair) FS26-56,FS200
6	46160400	Valve Spring Retainer (2pcs.) FS,FT,FR,IL
7	44660300	Valve Spring Seat (2pcs.) FS $\alpha$ -56
8	44660200	Valve Spring (1pc.) FS $\alpha$ -56
9	44650000	Intake Valve (1pc.) FS $\alpha$ -56
10	44651000	Exhaust Valve (1pc.) FS $\alpha$ -56
11	44604110	Cylinder Head (W/Gasket) FS $\alpha$ -56II
11-1	44614100	Cylinder Head Gasket (1pc.) FS $\alpha$ -56
12	44669400	Intake Manifold (1pc.) FS $\alpha$ -56
13	44681000	Carburetor Complete (Type 40NA) FS $\alpha$ -56
14	44603400	Piston Ring FS $\alpha$ -56
15	44603200	Piston FS $\alpha$ -56
16	44606000	Piston Pin FS $\alpha$ -56
17	44605000	Connecting Rod FS $\alpha$ -56
18	44603100	Cylinder Liner FS $\alpha$ -56
19	22681953	Nipple No.1
20	44607010	Cover Plate FS $\alpha$ -56II
21	44602000	Crankshaft FS $\alpha$ -56
22	44230000	Crankshaft Ball Bearing (Rear) FS $\alpha$ -56,52S,FS-70U
23	44601000	Crankcase FS $\alpha$ -56
24	45231100	Camshaft Ball Bearing (1pc.) FS40-120S
25	45262010	Camshaft FS40S,48S
26	44601100	Cam Cover FS $\alpha$ -56
27	44666000	Push Rod (2pcs.) FS $\alpha$ -56
28	44666100	Push Rod Cover (1pc.) FS $\alpha$ -56
29	27881840	Push Rod Cover "O" Ring (2pcs.) (S-4)

No.	Code No.	Description
30	45664000	Cam Follower (2pcs.) FS48S,52S,61,FS70U
31	26531005	Crankshaft Ball Bearing (Front) FS52S
32	45808000	Drive Hub (W/woodruff key) FS56,52S,48S
32-1	27708200	Woodruff Key 50-61,91SX,SZ,RZ-H
33	45810100	Lock Nut Set FS30S-56,FS70U
34	44625000	F-4040 Silencer Assembly FS $\alpha$ -56
34-1	44625100	Silencer Body F-4040 FS $\alpha$ -56
34-2	44625400	Assembly Screw F-4040
34-3	44625410	Silencer Gasket (1pc.) (S-20) F-4040,F-5030
34-4	22681957	Pressure Nipple (No.7)
34-5	44625200	Exhaust Header Pipe Assembly F-4040 FS $\alpha$ -56
34-6	45626010	Exhaust Header Pipe Nut M10 (1pc.) FS40S-52S
	71615009	Glow Plug Type F



\* Type of screw

C...Cap Screw B...Binding Screw M...Oval Fillister-Head Screw  
F...Flat Head Screw T...Tapping Screw N...Round Head Screw S...Set Screw



**CAP SCREW SETS (10pcs./sets)**

Code No.	Size	Pcs. used in an engine
79871020	M2.6x7	Cam Cover Retaining Screw (2pcs.) Intake Manifold Retaining Screw (2pcs.)
79871030	M2.6x10	Rocker Cover Retaining Screw (2pcs.)
79871055	M2.6x18	Carburetor Retaining Screw (2pcs.)
79871110	M3x8	Cover Plate Retaining Screw (4pcs.)
79871140	M3x12	Rocker Support Retaining Screw (1pc.)
79871180	M3x18	Cylinder Head Retaining Screw (5pcs.)

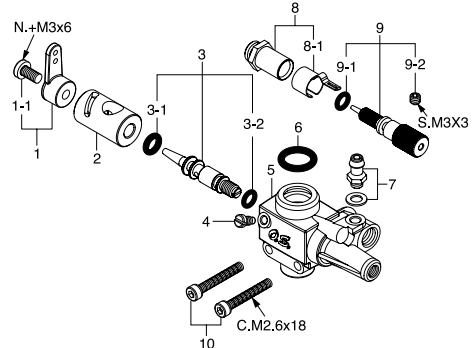
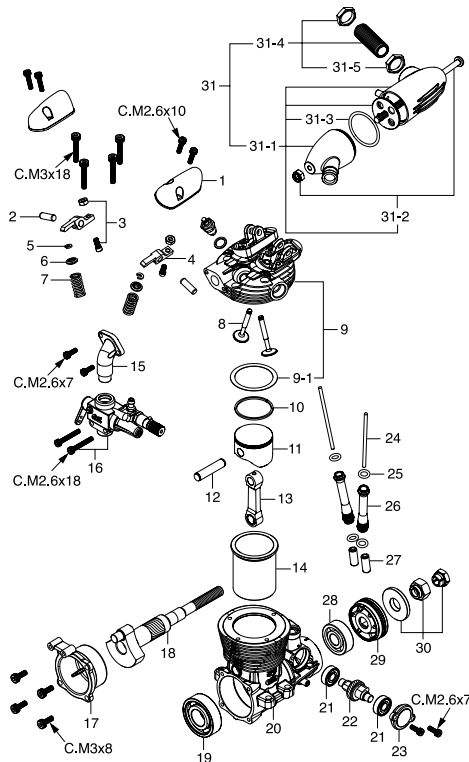
No.	Code No.	Description
1	22081408	Throttle Lever Assembly (No.5)
1-1	22081313	Throttle Lever Retaining Screw 1A-3A
2	44681200	Carburetor Rotor (40N) FS $\alpha$ -56
3	44681600	Mixture Control Nozzle Assembly FS $\alpha$ -56
3-1	46066319	"O" Ring (L) (2pcs.)
3-2	24881824	"O" Ring (S) (2pcs.) (7B)
4	21285220	Rotor Guide Screw 10C,10F,60U
5	44281100	Carburetor Body (40N) FS52S
6	45115000	Carburetor Rubber Gasket (1pc.) FS52S,FR
7	22681953	Fuel Inlet (No.1)
8	44281900	Needle Valve Assembly 40N,40J
8-1	44281970	Needle Assembly 40N,40J
8-2	24981837	"O" Ring (2pcs.)
8-3	26381501	Set Screw
8-4	27381940	Needle Valve Holder Assembly 20C,60U,70D,7H
8-5	26711305	Ratchet Spring No.4
9	44681300	Velocity Stack FS $\alpha$ -56
9-1	26381501	Set Screw
10	79871055	Carburetor Retaining Screw (10pcs.)

No.	Code No.	Description
1	44604200	Rocker Cover (Blue) FS $\alpha$ -56
2	45761600	Rocker Arm Retainer (2pcs.) FS26S-120S,70U
3	45261410	Rocker Support (1pc.) FS40S,48S,52S
4	45261110	Rocker Arm (1pc.) FS40S,48S,52S
5	45761200	Tappet Adjusting Screw (1pair) FS26-56,FS200
6	46160400	Valve Spring Retainer (2pcs.) FS,FT,FR,IL
7	44660300	Valve Spring Seat (2pcs.) FS $\alpha$ -56
8	44660200	Valve Spring (1pc.) FS $\alpha$ -56
9	44650000	Intake Valve (1pc.) FS $\alpha$ -56
10	44651000	Exhaust Valve (1pc.) FS $\alpha$ -56
11	44604100	Cylinder Head (W/Gasket) FS $\alpha$ -56
12	44614100	Cylinder Head Gasket (1pc.) FS $\alpha$ -56
13	44669400	Intake Manifold (1pc.) FS $\alpha$ -56
14	44681000	Carburetor Complete (Type 40NA) FS $\alpha$ -56
15	44603400	Piston Ring FS $\alpha$ -56
16	44603200	Piston FS $\alpha$ -56
17	44606000	Piston Pin FS $\alpha$ -56
18	44605000	Connecting Rod FS $\alpha$ -56
19	44603100	Cylinder Liner FS $\alpha$ -56
20	44607000	Cover Plate FS $\alpha$ -56
21	44602000	Crankshaft FS $\alpha$ -56
22	44230000	Crankshaft Ball Bearing (Rear) FS56,52S,70U
23	44601000	Crankcase FS $\alpha$ -56
24	45231100	Camshaft Ball Bearing (1pc.) FS40-120S
25	45262010	Camshaft FS40S,48S
26	44601100	Cam Cover FS $\alpha$ -56
27	44666000	Push Rod (2pcs.) FS $\alpha$ -56
28	44666100	Push Rod Cover (1pc.) FS $\alpha$ -56
29	27881840	Push Rod Cover "O" Ring (2pcs.)

No.	Code No.	Description
30	45664000	Cam Follower (2pcs.) FS48S,52S,61,FS70U
31	26531005	Crankshaft Ball Bearing (Front) FS52S
32	45808000	Drive Hub (W/woodruff key) FS56,52S,48S
32-1	27708200	Woodruff Key 50-61,91SX,SZ,RZ-H
33	45810100	Lock Nut Set FS30S-56,FS70U
34	44625000	F-4040 Silencer Assembly FS $\alpha$ -56
34-1	44625100	Silencer Body FS $\alpha$ -56
34-2	44625400	Assembly Screw F4040
34-3	44625410	Silencer Gasket (1pc.) F4040,F5030
34-4	22681957	Pressure Nipple (No.7)
34-5	44625200	Exhaust Header Pipe Assembly FS $\alpha$ -56
34-6	45626010	Exhaust Header Pipe Nut M10 (1pc.) FS40S-52S
	71615009	Glow Plug Type F

\*Type of screw

C...Cap Screw B...Binding Screw M...Oval Fillister-Head Screw  
F...Flat Head Screw T...Tapping Screw N...Round Head Screw S...Set Screw



### CAP SCREW SETS (10pcs./sets)

Code No.	Size	Pcs. used in an engine
79871020	M2.6x7	Cam Cover Retaining Screw (2pcs.) Intake Manifold Retaining Screw (2pcs.)
79871030	M2.6x10	Rocker Cover Retaining Screw (4pcs.)
79871110	M3x8	Cover Plate Retaining Screw (4pcs.)
79871180	M3x18	Cylinder Head Retaining Screw (4pcs.)

No.	Code No.	Description
1	22081408	Throttle Lever Assembly (No.5)
1-1	22081313	Throttle Lever Retaining Screw 1A-3A
2	40681200	Carburetor Rotor (61T) FS-62V
3	44681600	Mixture Control Valve Assembly (40NA) FS $\alpha$ -56
3-1	46066319	"O" Ring (L) (2pcs.)
3-2	24881824	"O" Ring (S) (2pcs.) 7B
4	21285220	Rotor Guide Screw 10C,10F,60U
5	40681100	Carburetor Body (61T) FS-62V
6	45115000	Carburetor Rubber Gasket (1pc.) FS52S,FR
7	22681953	Fuel Inlet (No.1)
8	27381940	Needle Valve Holder Assembly 20C,60U,70D,7H
8-1	26711305	Ratchet Spring No.4
9	44881970	Needle Assembly (60RA) FS $\alpha$ -81
9-1	24981837	"O" Ring (2pcs.)
9-2	26381501	Set Screw
10	79871055	Carburetor Retaining Screw (10pcs.)

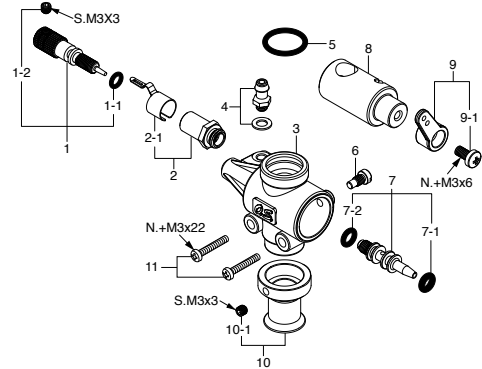
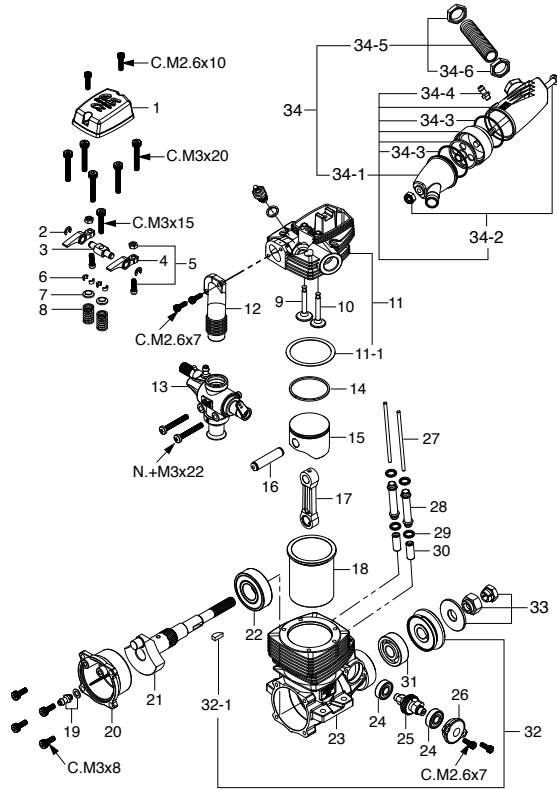
No.	Code No.	Description
1	47104200	Rocker Cover (1pc.) FR7-420
2	40964000	Rocker Arm Shaft (1pc.) FS-95V
3	44561200	Tappet Adjusting Screw (1pair) FS200S,GF30
4	40661100	Rocker Arm (1pc.) FS-62V
5	46160400	Valve Spring Retainer (2pcs.) FS,FT,FR,IL
6	40960300	Valve Spring Seat (1pc.) FS-95V
7	45960210	Valve Spring (1pc.) FS70S2,91S2,70U
8	40660100	Valve (1pc.) FS-62V
9	40604100	Cylinder Head (W/Gasket) FS-62V
9-1	40614000	Cylinder Head Gasket (1pc.) FS-62V
10	40603400	Piston Ring FS-62V
11	40603200	Piston FS-62V
12	40606000	Piston Pin FS-62V
13	44605000	Connecting Rod FS $\alpha$ -56
14	40603100	Cylinder Liner FS-62V
15	40669400	Intake Manifold FS-62V
16	40681000	Carburetor Complete (Type 61T) FS-62V
17	40607000	Cover Plate FS-62V
18	40602000	Crankshaft FS-62V
19	40630000	Crankshaft Ball Bearing (Rear) FS-62V
20	40601000	Crankcase FS-62V
21	45231100	Camshaft Ball Bearing (1pc.) FS40-120S
22	45262010	Camshaft FS40S,48S
23	40601100	Cam Cover FS-62V
24	40604160	Push Rod (2pcs.) FS-62V
25	45566310	Push Rod Cover "O" Ring (2pcs.)
26	40666100	Push Rod Cover (1pc.) FS-62V
27	45664000	Cam Follower (2pcs.) FS48S,52S,61,FS70U
28	26531005	Crankshaft Ball Bearing (Front) FS-52S

No.	Code No.	Description
29	40608000	Drive Hub FS-62V
30	45810100	Lock Nut Set FS30S-56,FS70U
31	40625000	F-4050 Silencer Assembly FS-62V
31-1	40625100	Silencer Body FS-62V
31-2	40625400	Assembly Screw F-4050
31-3	44625410	Silencer Gasket (1pc.) F-4040,F-5030
31-4	40626000	Exhaust Header Pipe Assembly F-4050
31-5	45626010	Exhaust Header Pipe Nut M10 (1pc.) FS40S-52S
	71615009	Glow Plug Type F

\* Type of screw

C...Cap Screw B...Binding Screw M...Oval Fillister-Head Screw

F...Flat Head Screw T...Tapping Screw N...Round Head Screw S...Set Screw



### CAP SCREW SETS (10pcs./sets)

Code No.	Size	Pcs. used in an engine
79871020	M2.6x7	Cam Cover Retaining Screw (2pcs.) Intake Manifold Retaining Screw (2pcs.)
79871030	M2.6x10	Rocker Cover Retaining Screw (2pcs.)
79871110	M3x8	Cover Plate Retaining Screw (4pcs.)
79871150	M3x15	Rocker Support Retaining Screw (1pc.)
79871200	M3x20	Cylinder Head Retaining Screw (5pcs.)

No.	Code No.	Description
1	44881970	Needle Assembly (60RA) FS $\alpha$ -81
1-1	24981837	"O" Ring (2pcs.)
1-2	26381501	Set Screw
2	27381940	Needle Valve Holder Assembly 20C,60U,70D,7H
2-1	26711305	Ratchet Spring No.4
3	44381100	Carburetor Body (61N) FS $\alpha$ -72
4	22681953	Fuel Inlet (No.1)
5	46115000	Carburetor Rubber Gasket (1pc.)
6	45581820	Rotor Guide Screw 20C,60MC,70D
7	45582300	Mixture Control Valve Assembly 70N,60F
7-1	46066319	"O" Ring (L) (2pcs.)
7-2	24881824	"O" Ring (S) (2pcs.) (7B)
8	44381200	Carburetor Rotor (61N) FS $\alpha$ -72
9	22081408	Throttle Lever Assembly (No.5)
9-1	22081313	Throttle Lever Retaining Screw 1A-3A
10	44381300	Velocity Stack (61N) FS $\alpha$ -72,81P
10-1	26381501	Set Screw
11	45581700	Carburetor Retaining Screw (2pcs.) FS70S-120S

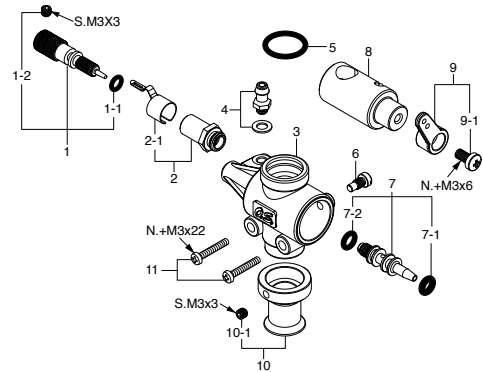
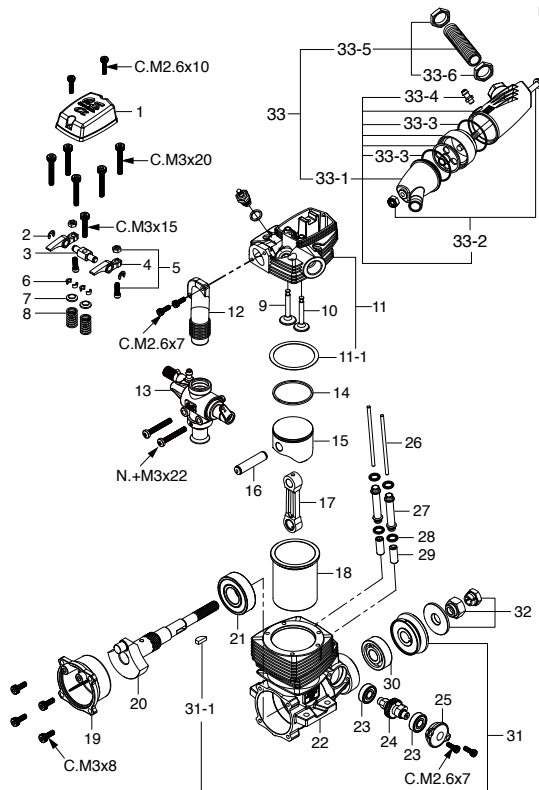
No.	Code No.	Description
1	44304210	Rocker Cover (Black) FS $\alpha$ -72II
2	45761600	Rocker Arm Retainer (2pcs.) FS26-120S,70U
3	45961410	Rocker Support (1pc.) FS $\alpha$ -81,FS70S,91S
4	44861000	Rocker Arm (1pc.) FS $\alpha$ -81
5	45061202	Tappet Adjusting Screw (1pair) FS,FT,FF,FR,IL
6	45960400	Split Cotter (2pcs.) FS70S,70S2,70U,91S2
7	45960310	Valve Spring Retainer (1pc.) FS70S2,91S2
8	45960210	Valve Spring (1pc.) FS70S2,91S2,70U
9	44750100	Intake Valve (1pc.) FS $\alpha$ -72
10	44751100	Exhaust Valve (1pc.) FS $\alpha$ -72
11	44304110	Cylinder Head (W/Gasket) FS $\alpha$ -72II
11-1	44714100	Cylinder Head Gasket (1pc.) FS70U,FS72-81
12	44369400	Intake Manifold (1pc.) FS $\alpha$ -72
13	44381000	Carburetor Complete (Type 61N) FS $\alpha$ -72
14	44303400	Piston Ring FS $\alpha$ -72
15	44303200	Piston FS $\alpha$ -72
16	44306000	Piston Pin FS $\alpha$ -72
17	44305000	Connecting Rod FS $\alpha$ -72
18	44303100	Cylinder Liner FS $\alpha$ -72
19	22681953	Nipple No.1
20	44307010	Cover Plate FS $\alpha$ -72II
21	44302000	Crankshaft FS $\alpha$ -72
22	44230000	Crankshaft Ball Bearing (Rear) FS $\alpha$ -56,52S,70U
23	44301000	Crankcase FS $\alpha$ -72
24	45231100	Camshaft Ball Bearing (1pc.) FS40-120S
25	44362000	Camshaft FS $\alpha$ -72
26	44301100	Cam Cover FS $\alpha$ -72

No.	Code No.	Description
27	44366000	Push Rod (2pcs.) FS $\alpha$ -72
28	44366100	Push Rod Cover (1pc.) FS $\alpha$ -72
29	27881840	Push Rod Cover "O" Ring (2pcs.) (S-4)
30	45664000	Cam Follower (2pcs.) FS48S,52S,61,FS70U
31	26531005	Crankshaft Ball Bearing (Front) FS52S
32	44308000	Drive Hub (W/woodruff key) FS $\alpha$ -72
32-1	27708200	Woodruff Key 50-61,91SX,SZ,RZ-H
33	45810100	Lock Nut Set FS30S-56,FS70U
34	44825000	F-5030 Silencer Assembly FS $\alpha$ -81
34-1	44825100	Silencer Body F-5030 FS $\alpha$ -81
34-2	44825400	Assembly Screw F-5030
34-3	44625410	Silencer Gasket (1pc.) (S-20) F-4040,F-5030
34-4	22681957	Pressure Nipple (No.7)
34-5	44825200	Exhaust Header Pipe Assembly F-5030 FS $\alpha$ -81
34-6	45626030	Exhaust Header Pipe Nut M11 (1pc.) FS70S-91S2
	71615009	Glow Plug Type F



\*Type of screw

C...Cap Screw B...Binding Screw M...Oval Fillister-Head Screw  
F...Flat Head Screw T...Tapping Screw N...Round Head Screw S...Set Screw



### CAP SCREW SETS (10pcs./sets)

Code No.	Size	Pcs. used in an engine
79871020	M2.6x7	Cam Cover Retaining Screw (2pcs.) Intake Manifold Retaining Screw (2pcs.)
79871030	M2.6x10	Rocker Cover Retaining Screw (2pcs.)
79871110	M3x8	Cover Plate Retaining Screw (4pcs.)
79871150	M3x15	Rocker Support Retaining Screw (1pc.)
79871200	M3x20	Cylinder Head Retaining Screw (5pcs.)

No.	Code No.	Description
1	44881970	Needle Assembly (60RA) FS $\alpha$ -81
1-1	24981837	"O" Ring (2pcs.)
1-2	26381501	Set Screw
2	27381940	Needle Valve Holder Assembly 20C,60U,70D,7H
2-1	26711305	Ratchet Spring No.4
3	44381100	Carburetor Body (61N) FS $\alpha$ -72
4	22681953	Fuel Inlet (No.1)
5	46115000	Carburetor Rubber Gasket (1pc.)
6	45581820	Rotor Guide Screw 20C,60MC,70D
7	45582300	Mixture Control Valve Assembly 70N,60F
7-1	46066319	"O" Ring (L) (2pcs.)
7-2	24881824	"O" Ring (S) (2pcs.) (7B)
8	44381200	Carburetor Rotor (61N) FS $\alpha$ -72
9	22081408	Throttle Lever Assembly (No.5)
9-1	22081313	Throttle Lever Retaining Screw 1A-3A
10	44381300	Velocity Stack (61N) FS $\alpha$ -72,81P
10-1	26381501	Set Screw
11	45581700	Carburetor Retaining Screw (2pcs.) FS70S-120S

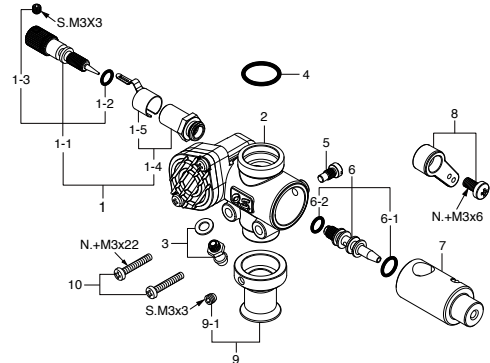
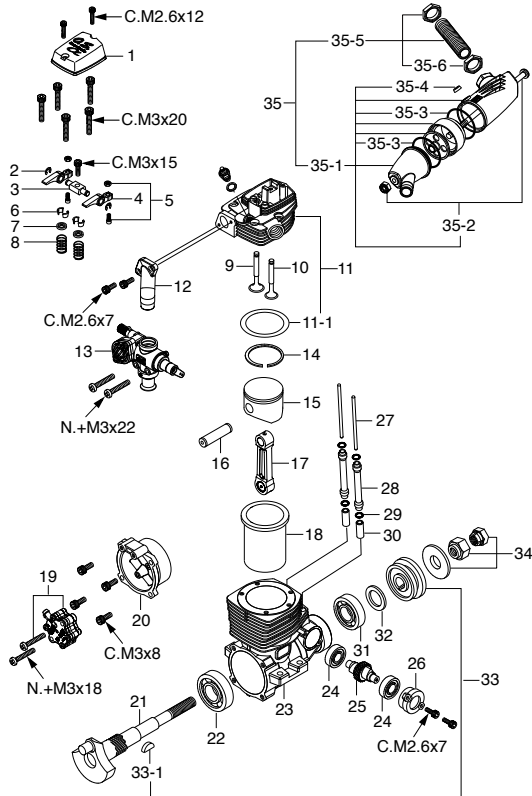
No.	Code No.	Description
1	44304200	Rocker Cover FS $\alpha$ -72
2	45761600	Rocker Arm Retainer (2pcs.) FS26-120S,70U
3	45961410	Rocker Support (1pc.) FS $\alpha$ -81,FS70S,91S
4	47161100	Rocker Arm (1pc.) FS $\alpha$ -81
5	45061202	Tappet Adjusting Screw (1pair) FS,FT,FF,FR,IL
6	45960400	Split Cotter (2pcs.) FS70S,70S2,70U,91S2
7	45960310	Valve Spring Retainer (1pc.) FS70S2,91S2
8	45960210	Valve Spring (1pc.) FS70S2,91S2,70U
9	44750100	Intake Valve (1pc.) FS70U
10	44751100	Exhaust Valve (1pc.) FS70U
11	44304100	Cylinder Head (W/Gasket) FS $\alpha$ -72
11-1	44714100	Cylinder Head Gasket (1pc.) FS70U,FS72-81
12	44369400	Intake Manifold (1pc.) FS $\alpha$ -72
13	44381000	Carburetor Complete (Type 61N) FS $\alpha$ -72
14	44303400	Piston Ring FS $\alpha$ -72
15	44303200	Piston FS $\alpha$ -72
16	44306000	Piston Pin FS $\alpha$ -72
17	44305000	Connecting Rod FS $\alpha$ -72
18	44303100	Cylinder Liner FS $\alpha$ -72
19	44307000	Cover Plate FS $\alpha$ -72
20	44302000	Crankshaft FS $\alpha$ -72
21	44230000	Crankshaft Ball Bearing (Rear) FS56,52S,70U
22	44301000	Crankcase FS $\alpha$ -72
23	45231100	Camshaft Ball Bearing (1pc.) FS40-120S
24	44362000	Camshaft FS $\alpha$ -72
25	44301100	Cam Cover FS $\alpha$ -72
26	44366000	Push Rod (2pcs.) FS $\alpha$ -72
27	44366100	Push Rod Cover (1pc.) FS $\alpha$ -72
28	27881840	Push Rod Cover "O" Ring (2pcs.)

No.	Code No.	Description
29	45664000	Cam Follower (2pcs.) FS48S,52S,61S,FS70U
30	26531005	Crankshaft Ball Bearing (Front) FS52S
31	44308000	Drive Hub (W/woodruff key) FS $\alpha$ -72
31-1	27708200	Woodruff Key 50-61,91SX,SZ,RZ-H
32	45810100	Lock Nut Set FS30S-56,FS70U
33	44825000	F-5030 Silencer Assembly FS $\alpha$ -81
33-1	44825100	Silencer Body F-5030 FS $\alpha$ -81
33-2	44825400	Assembly Screw F-5030
33-3	44625410	Silencer Gasket (1pc.) F-4040,F-5030
33-4	22681957	Pressure Nipple (No.7)
33-5	44825200	Exhaust Header Pipe Assembly F-5030,FS $\alpha$ -81
33-6	45626030	Exhaust Header Pipe Nut M11 (1pc.) FS70S-91S2
	71615009	Glow Plug Type F

\* Type of screw

C...Cap Screw B...Binding Screw M...Oval Fillister-Head Screw

F...Flat Head Screw T...Tapping Screw N...Round Head Screw S...Set Screw



### CAP SCREW SETS (10pcs./sets)

Code No.	Size	Pcs. used in an engine
79871020	M2.6x7	Cam Cover Retaining Screw (2pcs.) Intake Manifold Retaining Screw (2pcs.)
79871040	M2.6x12	Rocker Cover Retaining Screw (2pcs.)
79871110	M3x8	Cover Plate Retaining Screw (4pcs.)
79871150	M3x15	Rocker Support Retaining Screw (1pc.)
79871200	M3x20	Cylinder Head Retaining Screw (5pcs.)

No.	Code No.	Description
1	29481900	Needle Valve Assembly 140RX
1-1	29481970	Needle Assembly 140RX
1-2	24981837	"O" Ring (2pcs.)
1-3	26381501	Set Screw
1-4	27381940	Needle Valve Holder Assembly 20C,60U,70D,7H
1-5	26711305	Ratchet Spring No.4
2	44882100	Carburetor Body (61R) FS $\alpha$ -81-P
3	22681953	Fuel Inlet (No.1)
4	46115000	Carburetor Rubber Gasket (1pc.)
5	45581820	Rotor Guide Screw 20C,60MC,70D
6	45582300	Mixture Control Valve Assembly 70N,60F
6-1	46066319	"O" Ring (L) (2pcs.) (P-3)
6-2	24881824	"O" Ring (S) (2pcs.) (7B)
7	44882200	Carburetor Rotor (61R) FS $\alpha$ -81-P
8	22081408	Throttle Lever Assembly No.5
9	44381300	Velocity Stack (61N) FS $\alpha$ -72,81P
9-1	26381501	Set Screw
10	45581700	Carburetor Retaining Screw (2pcs.) FS70S-120S

No.	Code No.	Description
1	44804200	Rocker Cover FS $\alpha$ -81
2	45761600	Rocker Arm Retainer (2pcs.) FS26S-120S,70U
3	45961410	Rocker Support (1pc.) FS $\alpha$ -81,FS70S,91S
4	47161100	Rocker Arm (1pc.) FS $\alpha$ -81
5	45061202	Tappet Adjusting Screw (1pair) FS,FT,FF,FR,IL
6	45960400	Split Cotter (2pcs.) FS70S,70S2,70U,91S2
7	45960310	Valve Spring Retainer (1pc.) FS70S2,91S2
8	45960210	Valve Spring (1pc.) FS70S2,91S2,70U
9	44850000	Intake Valve (1pc.) FS $\alpha$ -81
10	44851000	Exhaust Valve (1pc.) FS $\alpha$ -81
11	44804100	Cylinder Head (W/Gasket) FS $\alpha$ -81
11-1	44714100	Cylinder Head Gasket (1pc.) FS70U,FS72-81
12	44868000	Intake Manifold (1pc.) FS $\alpha$ -81
13	44882000	Carburetor Complete (Type 61R) FS $\alpha$ -81-P
14	45903400	Piston Ring FS $\alpha$ -81,FS91S2-P
15	45903200	Piston FS $\alpha$ -81,FS91S2,91S,FT160
16	45906000	Piston Pin FS $\alpha$ -81,FS91S,FT160
17	44805000	Connecting Rod FS $\alpha$ -81
18	46103100	Cylinder Liner FS91S2,91S,FT160
19	72508100	Pump Unit PD-08 FS200SP,GF30
20	44807030	Cover Plate FS $\alpha$ -81-P
21	44802000	Crankshaft FS $\alpha$ -81
22	45630000	Crankshaft Ball Bearing (Rear) FS $\alpha$ -81,FS70S,S2
23	44801000	Crankcase FS $\alpha$ -81
24	45231100	Camshaft Ball Bearing (1pc.) FS40-120S
25	45962000	Camshaft FS $\alpha$ -81,FS70S,91S
26	44801100	Cam Cover FS $\alpha$ -81
27	44066000	Push Rod (2pcs.) FS70S,S2
28	44866100	Push Rod Cover (1pc.) FS $\alpha$ -81

No.	Code No.	Description
29	24881824	Push Rod Cover "O" Ring (2pcs.) (7B)
30	45564000	Cam Follower (2pcs.) FS70S-120S,FT,FF
31	26731002	Crankshaft Ball Bearing (Front) 40-61,70S,91S
32	46120000	Thrust Washer 91FX,SX-H,SZ,FT160,FF
33	44808000	Drive Hub (W/woodruff key) FS $\alpha$ -81
33-1	29008219	Woodruff Key 61,90,91
34	45910100	Lock Nut Set FS70S2,91S,91FX
35	44825000	F-5030 Silencer Assembly FS $\alpha$ -81
35-1	44825100	Silencer Body F-5030 FS $\alpha$ -81
35-2	44825400	Assembly Screw F-5030
35-3	44625410	Silencer Gasket (1pc.) F-4040,F-5030
35-4	23081706	Plug Screw 25-46LA,49PI
35-5	44825200	Exhaust Header Pipe Assembly F-5030,FS $\alpha$ -81
35-6	45626030	Exhaust Header Pipe Nut M11 (1pc.) FS70S-91S2
	71615009	Glow Plug Type F

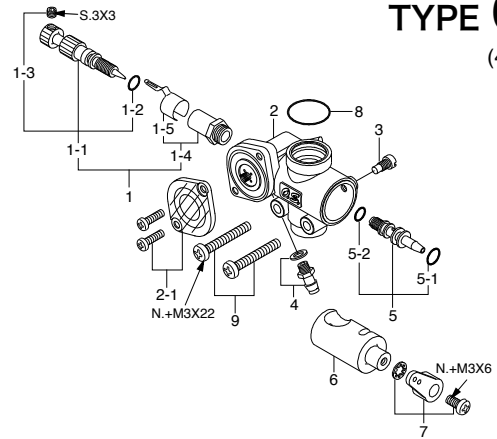
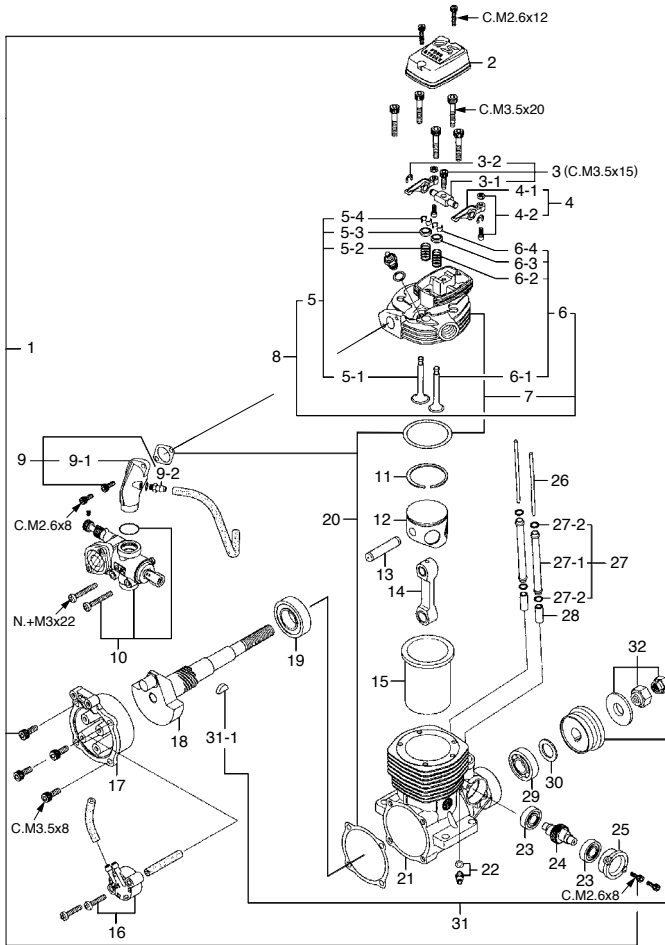
\*Type of screw  
 C...Cap Screw B...Binding Screw M...Oval Fillister-Head Screw  
 F...Flat Head Screw T...Tapping Screw N...Round Head Screw S...Set Screw

## FS-91SII-P

Discontinued (35910)

## TYPE 60N

(45983000)

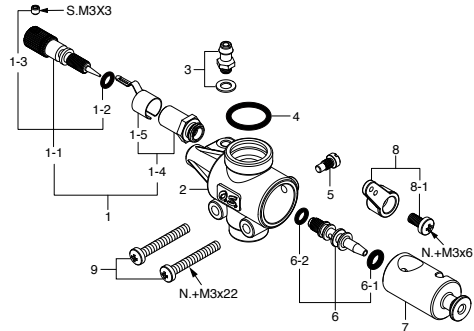
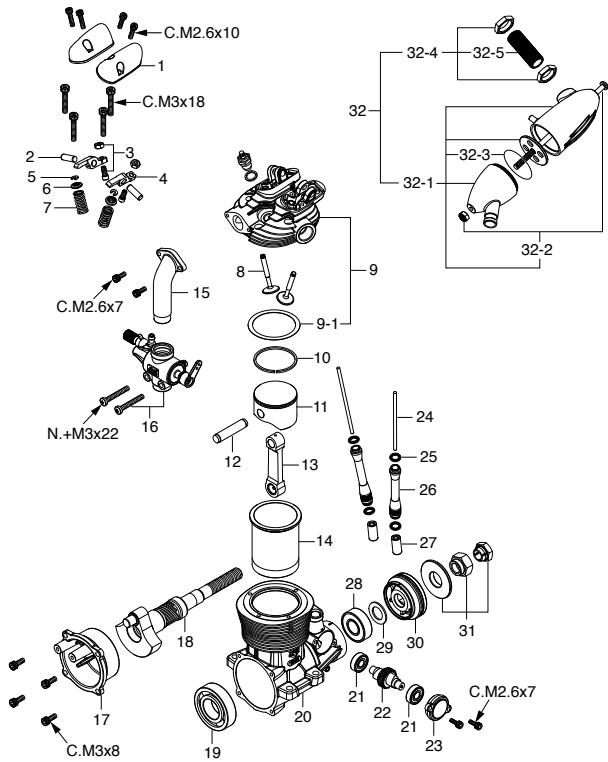


No.	Code No.	Description
1	27681900	Needle Valve Assembly 20C,46,86,91S
1-1	27681970	Needle Assembly 20C,46,86,91S,C13
1-2	24981837	"O" Ring (2pcs.)
1-3	26381501	Set Screw
1-4	27381940	Needle Valve Holder Assembly 20C,60U,70D,7H
1-5	26711305	Ratchet Spring No.4
2	45983100	Carburetor Body (60N) FS91S2-P
2-1	45582400	60N Regulator Cover 70N,120III
3	45581820	Rotor Guide Screw 20C,60MC,70D
4	22681953	Fuel Inlet (No.1)
5	45582300	Mixture Control Valve Assembly 70N,60F
5-1	46066319	"O" Ring (L) (2pcs.) (P-3)
5-2	24881824	"O" Ring (S) (2pcs.) (7B)
6	45983200	Carburetor Rotor (60N) FS91S2-P
7	27881400	Throttle Lever Assembly 70N,C14,60F,70D
8	46115000	Carburetor Rubber Gasket (S-11.2)
9	45581700	Carburetor Retaining Screw (2pcs.) FS70S-120S

No.	Code No.	Description
1	45913000	Screw Set FS70S,S2,91S,S2
2	45904210	Rocker Cover (Black) FS70S2,91S2-P
3	45961400	Rocker Support Assembly FS $\alpha$ -81,FS70-91S
3-1	45961410	Rocker Support FS $\alpha$ -81,FS70,91S
3-2	45761600	Rocker Arm Retainer (2pc./1pair) FS26S-120S,70U
4	45361000	Rocker Arm Assembly (1pair) FS70S,91S2,FR
4-1	45361100	Rocker Arm (1pc.) FS70S,91S2,FF,FR
4-2	45061202	Tappet Adjusting Screw FS,FT,FF,FR,IL
5	45960001	Intake Valve Assembly (1pair) FS70S2,91S2
5-1	45960100	Intake Valve (1pc.) FS70S2,91S2
5-2	45960210	Valve Spring (1pc.) FS70S2,91S2,70U
5-3	45960310	Valve Spring Retainer (1pc.) FS70S2,91S2
5-4	45960400	Split Cotter (2pc./1pair) FS70S,70S2,70U,91S2
6	45960011	Exhaust Valve Assembly (1pair) FS70S2,91S2
6-1	45960110	Exhaust Valve (1pc.) FS70S2,91S2
6-2	45960210	Valve Spring (1pc.) FS70S2,91S2,70U
6-3	45960310	Valve Spring Retainer (1pc.) FS70S2,91S2
6-4	45960400	Split Cotter (2pc./1pair) FS70S,S2,70U,91S2
7	45904110	Cylinder Head (w/Gasket) FS91S2-P
8	45904011	Cylinder Head (w/valve Assembly) FS91S2,S2-P
9	45968000	Intake Pipe Assembly FS91S2-P
9-1	45968100	Intake Pipe FS91S2-P
9-2	45771000	Breather Nipple (No.5)
10	45983000	Carburetor Complete (Type 60N) FS91S2-P
11	45903400	Piston Ring FS $\alpha$ -81,FS91S2-P
12	45903200	Piston FS $\alpha$ -81,FS91S2,91S,FT160
13	45906000	Piston Pin FS $\alpha$ -81,FS91S,FT160
14	45605000	Connecting Rod FS70S,S2,91S
15	46103100	Cylinder Liner FS91S2,91S,FT160

No.	Code No.	Description
16	72508001	PD-07 Pump Unit FS91S2-P-120S3
17	45907010	Cover Plate FS91S2-P
18	45902010	Crankshaft FS91S2-P
19	45530030	Crankshaft Ball Bearing (R) FS91S2-120S3
20	45914010	Gasket Set FS91S2-P
21	45901010	Crankcase FS91S2,S2-P
22	45771000	Breather Nipple (No.5)
23	45231100	Camshaft Ball Bearing (1pc.) FS40-120S
24	45962010	Camshaft FS70S2,91S2,91S2-P
25	45901110	Cam Cover FS91S2-P
26	45966000	Push Rod (2pcs.) FS91S2,S2-P,91S
27	45966100	Push Rod Cover Assembly (2pcs.) FS91S2,91S
27-1	45966110	Push Rod Cover (1pc.) FS91S2,91S
27-2	24881824	Push Rod Cover "O" Ring (2pcs.) (7B)
28	45564000	Cam Follower (2pcs.) FS70S-120S,FT,FF
29	26731002	Crankshaft Ball Bearing (F) 40-61,70S,91S
30	46120000	Thrust Washer 91FX,SXH,SZ,FT160,FF
31	45908000	Drive Hub FS91S2,S2-P,91S
31-1	29008219	Woodruff Key 61,90,91
32	45910100	Locknut Set FS70S2,91S,91FX
	45925010	F-4020 Silencer Assembly FS70S2,91S2-P
	45925100	Silencer Body F-4020 FS91S2
	45926000	Exhaust Header Pipe Assembly FS91S,S2
	71615009	Glow Plug Type F

\* Type of screw  
 C...Cap Screw B...Binding Screw M...Oval Fillister-Head Screw  
 F...Flat Head Screw T...Tapping Screw N...Round Head Screw S...Set Screw



### CAP SCREW SETS (10pcs./sets)

Code No.	Size	Pcs. used in an engine
79871020	M2.6x7	Cam Cover Retaining Screw (2pcs.) Intake Manifold Retaining Screw (2pcs.)
79871030	M2.6x10	Rocker Cover Retaining Screw (4pcs.)
79871110	M3x8	Cover Plate Retaining Screw (4pcs.)
79871180	M3x18	Cylinder Head Retaining Screw (4pcs.)

No.	Code No.	Description
1	25581900	Needle Valve Assembly 40A,60U,70D
1-1	22681980	Needle Assembly 20D,20F,20G,21G,40B,70D
1-2	24981837	"O" Ring (2pcs.)
1-3	26381501	Set Screw
1-4	27381940	Needle Valve Holder Assembly 20C,60U,70D,7H
1-5	26711305	Ratchet Spring No.4
2	45984100	Carburetor Body (60P) FS91S2
3	22681953	Fuel Inlet (No.1)
4	46115000	Carburetor Rubber Gasket (1pc.) (S-11.2)
5	45581820	Rotor Guide Screw 20C,60MC,70D
6	45582300	Mixture Control Valve Assembly 70N,60F
6-1	46066319	"O" Ring (L) (2pcs.) (P-3)
6-2	24881824	"O" Ring (S) (2pcs.) (7B)
7	40981200	Carburetor Rotor (60PA) FS-95V
8	22081408	Throttle Lever Assembly No.5
8-1	22081313	Throttle Lever Retaining Screw 1A-3A
9	45581700	Carburetor Retaining Screw (2pcs.) FS70S-120S

No.	Code No.	Description
1	47104200	Rocker Cover (1pc.) FR7-420
2	40964000	Rocker Arm Shaft (1pc.) FS-95V
3	44561200	Tappet Adjusting Screw (1pair) FS200S,GF30
4	40961110	Rocker Arm (1pc.) FS-95V
5	46160400	Valve Spring Retainer (2pcs.) FS,FT,FR,IL
6	40960300	Valve Spring Seat (1pc.) FS-95V
7	45960210	Valve Spring (1pc.) FS70S2,91S2,70U
8	40960100	Valve (1pc.) FS-95V
9	40904100	Cylinder Head (W/Gasket) FS-95V
9-1	40914000	Cylinder Head Gasket (1pc.) FS-95V
10	40903400	Piston Ring FS-95V
11	40903200	Piston FS-95V
12	40906000	Piston Pin FS-95V
13	40905000	Connecting Rod FS-95V
14	40903100	Cylinder Liner FS-95V
15	40969400	Intake Manifold FS-95V
16	40981000	Carburetor Complete (Type 60PA) FS-95V
17	40907000	Cover Plate FS-95V
18	40902000	Crankshaft FS-95V
19	45630000	Crankshaft Ball Bearing (Rear) FSα-81,FS70S,S2
20	40901000	Crankcase FS-95V
21	45231100	Camshaft Ball Bearing (1pc.) FS40-120S
22	45962000	Camshaft FSα-81,FS70S,91S
23	40901100	Cam Cover FS-95V
24	40904160	Push Rod (2pcs.) FS-95V
25	45566310	Push Rod Cover "O" Ring (2pcs.) (S-5)
26	40966100	Push Rod Cover (1pc.) FS-95V
27	45564000	Cam Follower (2pcs.) FS70S-120S,FT,FF
28	26731010	Crankshaft Ball Bearing (Front) 120AX

No.	Code No.	Description
29	46120000	Thrust Washer 91FX,SX-H,SZ,FT160,FF
30	40908000	Drive Hub FS-95V
31	45910100	Lock Nut Set FS70S2,91S,91FX
32	40925000	F-5050 Silencer Assembly FS-95V
32-1	40925100	Silencer Body F-5050 FS-95V
32-2	40925400	Assembly Screw F-5050
32-3	44925310	Silencer Gasket (1pc.) (S-25)
32-4	40926000	Exhaust Header Pipe Assembly F-5050 FS-95V
32-5	45626030	Exhaust Header Pipe Nut M11 (1pc.) FS70S-91S2
	71615009	Glow Plug Type F

## FS $\alpha$ -110

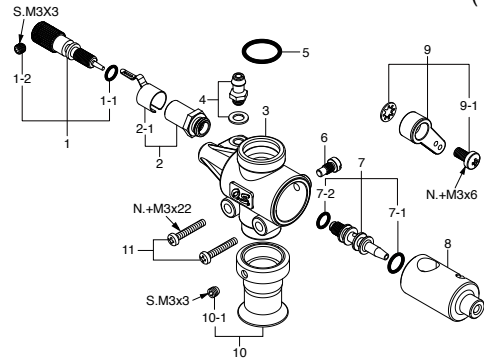
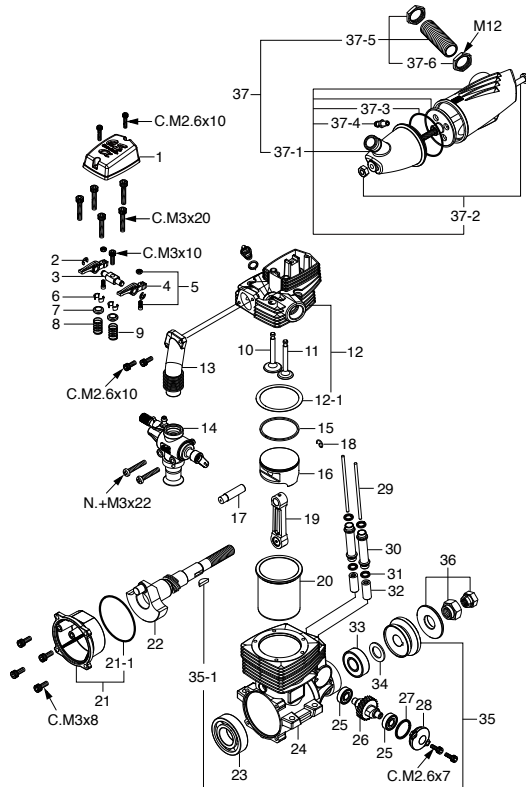
Discontinued (35410)

## TYPE 60Y

(44981000)

\*Type of screw

C...Cap Screw B...Binding Screw M...Oval Fillister-Head Screw  
F...Flat Head Screw T...Tapping Screw N...Round Head Screw S...Set Screw



### CAP SCREW SETS (10pcs./sets)

Code No.	Size	Pcs. used in an engine
79871020	M2.6x7	Cam Cover Retaining Screw (2pcs.)
79871030	M2.6x10	Rocker Cover Retaining Screw (2pcs.) Intake Manifold Retaining Screw (2pcs.)
79871110	M3x8	Cover Plate Retaining Screw (4pcs.)
79871120	M3x10	Rocker Support Retaining Screw (1pc.)
79871200	M3x20	Cylinder Head Retaining Screw (5pcs.)

No.	Code No.	Description
1	24081970	Needle Assembly 40LA,75AX,91FX,FS91S2
1-1	24981837	"O" Ring (2pcs.)
1-2	26381501	Set Screw
2	27381940	Needle Valve Holder Assembly 20C,60U,70D,7H
2-1	26711305	Ratchet Spring No.4
3	44981100	Carburetor Body (60Y) FS $\alpha$ -110
4	22681953	Fuel Inlet (No.1)
5	46115000	Carburetor Rubber Gasket (1pc.) (S-11.2)
6	45581820	Rotor Guide Screw 20C,60MC,70D
7	45582300	Mixture Control Valve Assembly 70N,60F
7-1	46066319	"O" Ring (L) (2pcs.) (P-3)
7-2	24881824	"O" Ring (S) (2pcs.) (7B)
8	44981200	Carburetor Rotor (60Y) FS $\alpha$ -110
9	27881400	Throttle Lever Assembly 70N,C14,60F,70D
9-1	22081313	Throttle Lever Retaining Screw 1A-3A
10	44881300	Velocity Stack FS $\alpha$ -81,110,110-P
10-1	26381501	Set Screw
11	45581700	Carburetor Retaining Screw (2pcs.) FS70S-120S

No.	Code No.	Description
1	44904200	Rocker Cover FS $\alpha$ -110
2	45761600	Rocker Arm Retainer (2pcs.) FS26S-120S,70U
3	44961400	Rocker Support (1pc.) FS $\alpha$ -110
4	45561110	Rocker Arm (1pc.) FS120S3,FT300
5	45061202	Tappet Adjusting Screw (1pair) FS,FT,FF,FR,IL
6	45560410	Split Cotter (2pcs.) FS120S3,SE,GF30
7	45560310	Valve Spring Retainer (1pc.) FS120S3,SE
8	45560210	Valve Spring (1pc.) FS120S3,SE
9	45560220	Valve Spring (1pc.) FS120S3,SE
10	45560130	Intake Valve (1pc.) FS120S3,SE
11	45560140	Exhaust Valve (1pc.) FS120S3,SE
12	44904100	Cylinder Head (W/Gasket) FS $\alpha$ -110
12-1	44901460	Cylinder Head Gasket (1pc.) FS $\alpha$ -110
13	44969400	Intake Manifold (1pc.) FS $\alpha$ -110
14	44981000	Carburetor Complete (Type 60Y) FS $\alpha$ -110
15	44903400	Piston Ring FS $\alpha$ -110
16	44903200	Piston FS $\alpha$ -110
17	44906000	Piston Pin FS $\alpha$ -110
18	27917000	Piston Pin Retainer (2pcs.) 91FX,91SZ,91SX-H
19	44805000	Connecting Rod FS $\alpha$ -81
20	44903100	Cylinder Liner FS $\alpha$ -110
21	44907000	Cover Plate FS $\alpha$ -110
21-1	29061410	Cover Gasket FS200S,91SZ,GF30
22	44902000	Crankshaft FS $\alpha$ -110
23	45630000	Crankshaft Ball Bearing (Rear) FS $\alpha$ -81,FS70S,S2
24	44901000	Crankcase FS $\alpha$ -110
25	45231100	Camshaft Ball Bearing (1pc.) FS40-120S
26	44962000	Camshaft FS $\alpha$ -110
27	44514110	"O" Ring

No.	Code No.	Description
28	44901100	Cam Cover FS $\alpha$ -110
29	44966000	Push Rod (2pcs.) FS $\alpha$ -110
30	44966100	Push Rod Cover (1pc.) FS $\alpha$ -110
31	45566310	Push Rod Cover "O" Ring (2pcs.) (S-5)
32	44564000	Cam Follower (2pcs.) FS200S,GF30
33	26731010	Crankshaft Ball Bearing (Front) 120AX
34	46120000	Thrust Washer 91FX,SX-H,SZ,FT160,FF
35	44908000	Drive Hub (W/woodruff key) FS $\alpha$ -110
35-1	29008219	Woodruff Key 61,90,91
36	45910100	Lock Nut Set FS70S2,91S,91FX
37	44925000	F-5040 Silencer Assembly FS $\alpha$ -110
37-1	44925100	Silencer Body F-5040
37-2	44925300	Assembly Screw F-5040
37-3	44925310	Silencer Gasket (1pc.) (S-25)
37-4	22681957	Pressure Nipple (No.7)
37-5	44926000	Exhaust Header Pipe Assembly F-5040
37-6	45526400	Exhaust Header Pipe Nut M12 (1pc.) FS120SE,110
	72200080	Needle Valve Extension Cable Set
	71615009	Glow Plug Type F

## FS $\alpha$ -110-P

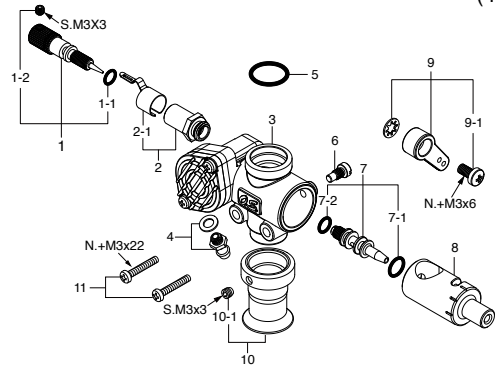
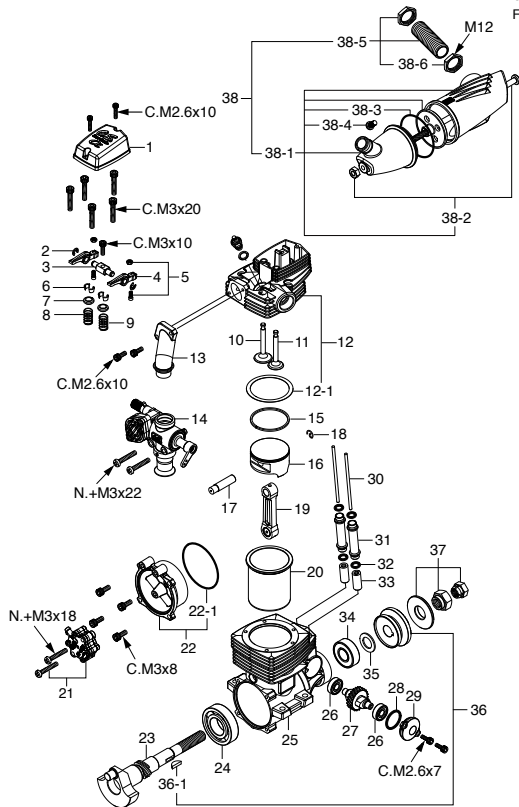
Discontinued (35420)

## TYPE 61P

(44982000)

\*Type of screw

C...Cap Screw B...Binding Screw M...Oval Fillister-Head Screw  
F...Flat Head Screw T...Tapping Screw N...Round Head Screw S...Set Screw



### CAP SCREW SETS (10pcs./sets)

Code No.	Size	Pcs. used in an engine
79871020	M2.6x7	Cam Cover Retaining Screw (2pcs.)
79871030	M2.6x10	Rocker Cover Retaining Screw (2pcs.) Intake Manifold Retaining Screw (2pcs.)
79871110	M3x8	Cover Plate Retaining Screw (4pcs.)
79871120	M3x10	Rocker Support Retaining Screw (1pc.)
79871200	M3x20	Cylinder Head Retaining Screw (5pcs.)

No.	Code No.	Description
1	24081970	Needle Assembly 40LA,75AX,91FX,FS91S2
1-1	24981837	"O" Ring (2pcs.)
1-2	26381501	Set Screw
2	27381940	Needle Valve Holder Assembly 20C,60U,70D,7H
2-1	26711305	Ratchet Spring No.4
3	44982100	Carburetor Body (61P) FS $\alpha$ -110-P
4	22681953	Fuel Inlet (No.1)
5	46115000	Carburetor Rubber Gasket (1pc.) (S-11.2)
6	45581820	Rotor Guide Screw 20C,60MC,70D
7	45582300	Mixture Control Valve Assembly 70N,60F
7-1	46066319	"O" Ring (L) (2pcs.) (P-3)
7-2	24881824	"O" Ring (S) (2pcs.) (7B)
8	44982200	Carburetor Rotor (61P) FS $\alpha$ -110-P
9	27881400	Throttle Lever Assembly 70N,C14,60F,70D
9-1	22081313	Throttle Lever Retaining Screw 1A-3A
10	44881300	Velocity Stack FS $\alpha$ -81,110,110-P
10-1	26381501	Set Screw
11	45581700	Carburetor Retaining Screw (2pcs.) FS70S-120S

No.	Code No.	Description
1	44904200	Rocker Cover FS $\alpha$ -110
2	45761600	Rocker Arm Retainer (2pcs.) FS26S-120S,70U
3	44961400	Rocker Support (1pc.) FS $\alpha$ -110
4	45561110	Rocker Arm (1pc.) FS120S3,FT300
5	45061202	Tappet Adjusting Screw (1pair) FS,FT,FF,FR,IL
6	45560410	Split Cotter (2pcs.) FS120S3,SE,GF30
7	45560310	Valve Spring Retainer (1pc.) FS120S3,SE
8	45560210	Intake Valve Spring (1pc.) FS120S3,SE
9	45560220	Exhaust Valve Spring (1pc.) FS120S3,SE
10	45560130	Intake Valve (1pc.) FS120S3,SE
11	45560140	Exhaust Valve (1pc.) FS120S3,SE
12	44904100	Cylinder Head (W/Gasket) FS $\alpha$ -110
12-1	44901460	Cylinder Head Gasket (1pc.) FS $\alpha$ -110
13	44969430	Intake Manifold (1pc.) FS $\alpha$ -110-P
14	44982000	Carburetor Complete (Type 61P) FS $\alpha$ -110-P
15	44903400	Piston Ring FS $\alpha$ -110
16	44903200	Piston FS $\alpha$ -110
17	44906000	Piston Pin FS $\alpha$ -110
18	27917000	Piston Pin Retainer (2pcs.) 91FX,91SZ,91SX-H
19	44805000	Connecting Rod FS $\alpha$ -81
20	44903100	Cylinder Liner FS $\alpha$ -110
21	72508100	Pump Unit PD-08 FS200SP,GF30
22	44907030	Cover Plate FS $\alpha$ -110-P
22-1	29061410	Cover Gasket FS200S,91SZ,GF30
23	44902000	Crankshaft FS $\alpha$ -110
24	45630000	Crankshaft Ball Bearing (Rear) FS $\alpha$ -81,FS70S,S2
25	44901000	Crankcase FS $\alpha$ -110
26	45231100	Camshaft Ball Bearing (1pc.) FS40-120S
27	44962000	Camshaft FS $\alpha$ -110

No.	Code No.	Description
28	44514110	"O" Ring (S-14)
29	44901100	Cam Cover FS $\alpha$ -110
30	44966000	Push Rod (2pcs.) FS $\alpha$ -110
31	44966100	Push Rod Cover (1pc.) FS $\alpha$ -110
32	45566310	Push Rod Cover "O" Ring (2pcs.) (S-5)
33	44564000	Cam Follower (2pcs.) FS200S,GF30
34	26731010	Crankshaft Ball Bearing (Front) 120AX
35	46120000	Thrust Washer 91FX,SX-H,SZ,FT160,FF
36	44908000	Drive Hub (W/woodruff key) FS $\alpha$ -110
36-1	29008219	Woodruff Key 61,90,91
37	45910100	Lock Nut Set FS70S2,91S,91FX
38	44925000	F-5040 Silencer Assembly FS $\alpha$ -110
38-1	44925100	Silencer Body F-5040
38-2	44925300	Assembly Screw F-5040
38-3	44925310	Silencer Gasket (1pc.) (S-25)
38-4	23081706	Plug Screw 25-46LA,49PI
38-5	44926000	Exhaust Header Pipe Assembly F-5040
38-6	45526400	Exhaust Header Pipe Nut M12 (1pc.) FS120SE,110
	72200080	Needle Valve Extension Cable Set
	71615009	Glow Plug Type F

## FS $\alpha$ -155-P

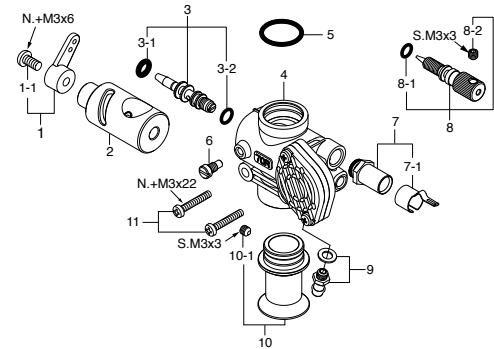
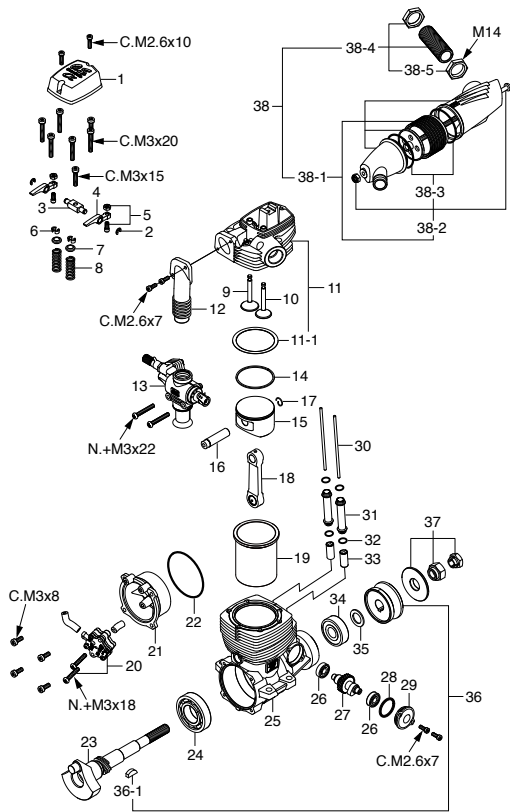
(35430)

### TYPE 70R

(42581000)

\* Type of screw

C...Cap Screw B...Binding Screw M...Oval Fillister-Head Screw  
F...Flat Head Screw T...Tapping Screw N...Round Head Screw S...Set Screw



#### CAP SCREW SETS (10pcs./sets)

Code No.	Size	Pcs. used in an engine
79871020	M2.6x7	Cam Cover Retaining Screw (2pcs.) Intake Manifold Retaining Screw (2pcs.)
79871030	M2.6x10	Rocker Cover Retaining Screw (2pcs.)
79871110	M3x8	Cover Plate Retaining Screw (4pcs.)
79871150	M3x15	Rocker Support Retaining Screw (1pc.)
79871200	M3x20	Cylinder Head Retaining Screw (6pcs.)

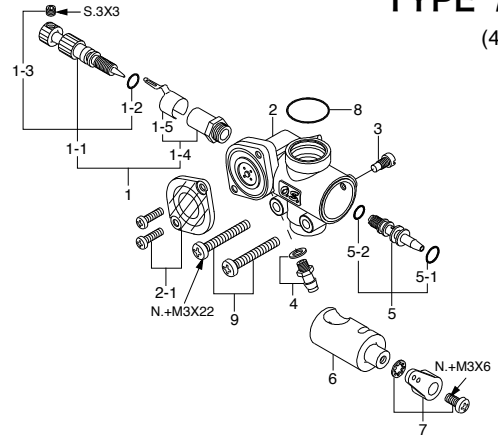
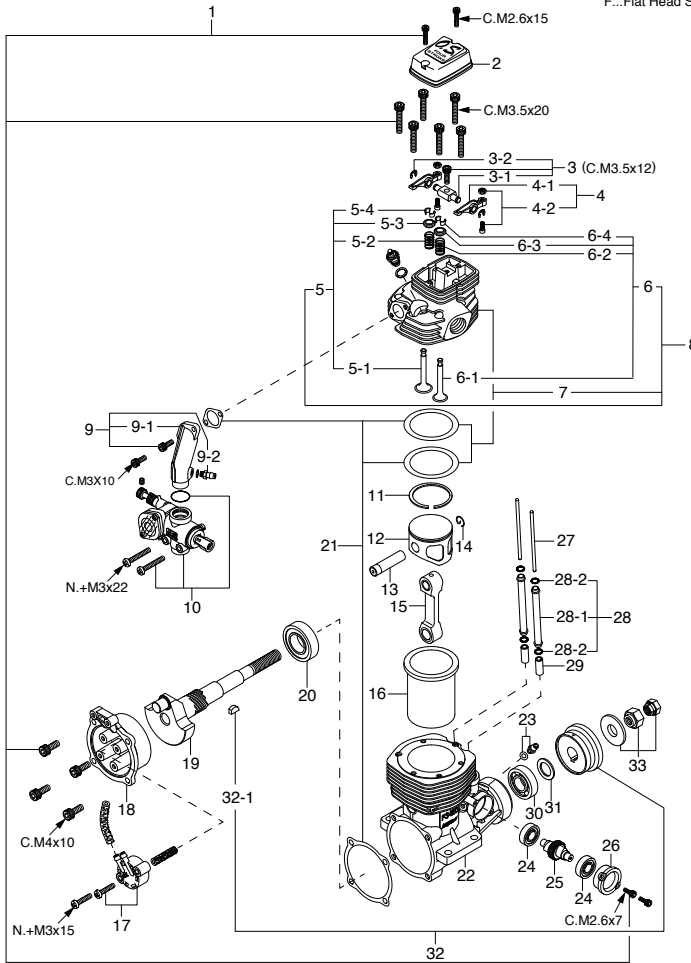
No.	Code No.	Description
1	22081408	Throttle Lever Assembly No.5
1-1	22081313	Throttle Lever Retaining Screw 1A-3A
2	42581200	Carburetor Rotor (70R) FS $\alpha$ -155-P
3	44581600	Mixture Control Valve Assembly (80N)
3-1	46066319	"O" Ring (L) (2pcs.) (P-3)
3-2	24881824	"O" Ring (S) (2pcs.) (7B)
4	42581100	Carburetor Body (W/Regulator) (70R) FS $\alpha$ -155-P
5	46215000	Carburetor Rubber Gasket (1pc.) (S-12.5) 40-61,FT
6	45581820	Rotor Guide Screw 20C,60MC,70D
7	27381940	Needle Valve Holder Assembly 20C,60U,70D,7H
7-1	26711305	Ratchet Spring No.4
8	29481970	Needle Assembly 140RX
8-1	24981837	"O" Ring (2pcs.)
8-2	26381501	Set Screw
9	22681953	Fuel Inlet (No.1)
10	42581300	Velocity Stack (70R) FS $\alpha$ -155-P
10-1	26381501	Set Screw
11	45581700	Carburetor Retaining Screw (2pcs.) FS70S-120S

No.	Code No.	Description
1	42504210	Rocker Cover FS $\alpha$ -155
2	45761600	Rocker Arm Retainer (2pcs.) FS26S-120S,70U
3	42561400	Rocker Support (1pc.) FS $\alpha$ -155
4	42561100	Rocker Arm (1pc.) FS $\alpha$ -155,GF30
5	44561200	Tappet Adjusting Screw (1pair) FS200S,GF30
6	45560410	Split Cotter (2pcs.) FS120S3,SE,GF30
7	45560310	Valve Spring Retainer (1pc.) FS120S3,SE
8	42560200	Valve Spring (1pc.) FS $\alpha$ -155
9	45560130	Intake Valve (1pc.) FS120S3,SE
10	44551000	Exhaust Valve (1pc.) FS200S
11	42504100	Cylinder Head (W/Gasket) FS $\alpha$ -155
11-1	42501460	Cylinder Head Gasket (1pc.) FS $\alpha$ -155
12	42569400	Intake Manifold (1pc.) FS $\alpha$ -155-P
13	42581000	Carburetor Complete (Type 70R) FS $\alpha$ -155-P
14	42503400	Piston Ring FS $\alpha$ -155
15	42503200	Piston FS $\alpha$ -155
16	42506000	Piston Pin FS $\alpha$ -155
17	28117000	Piston Pin Retainer(2pcs.) 120AX,81VR,108F
18	42505000	Connecting Rod FS $\alpha$ -155
19	42503100	Cylinder Liner FS $\alpha$ -155
20	72508100	Pump Unit PD-08 FS200S-P,GF30
21	42507000	Cover Plate FS $\alpha$ -155-P
22	29061410	Cover Gasket FS200S,91SZ,GF30
23	42502000	Crankshaft FS $\alpha$ -155
24	27930000	Crankshaft Ball Bearing (Rear) 91SX,SZ,61SX-H
25	42501000	Crankcase FS $\alpha$ -155
26	45231100	Camshaft Ball Bearing (1pc.) FS40-120S
27	42562000	Camshaft FS $\alpha$ -155
28	21921800	"O" Ring (S-16)

No.	Code No.	Description
29	42501100	Cam Cover FS $\alpha$ -155
30	46166000	Push Rod (2pcs.) FS120S-SP,FT160
31	42566100	Push Rod Cover (1pc.) FS $\alpha$ -155
32	45566310	Push Rod Cover "O" Ring (2pcs.) (S-5)
33	44564000	Cam Follower (2pcs.) FS200S,GF30
34	29431000	Crankshaft Ball Bearing (Front) 140RX
35	45520000	Thrust Washer FS120S,S2,SE,SP
36	42508000	Drive Hub (W/woodruff key) FS $\alpha$ -155
36-1	45508200	Woodruff Key FS120S3,SE,SP
37	45910100	Lock Nut Set FS70S2,91S,91FX
38	42525000	F-6020 Silencer Assembly FS $\alpha$ -155-P
38-1	42525100	Silencer Body F-6020 FS $\alpha$ -155-P
38-2	42525300	Assembly Screw F-6020
38-3	42525310	"O" Ring (2pcs.) (S-25)
38-4	42526000	Exhaust Header Pipe Assembly F-6020
38-5	45526032	Exhaust Header Pipe Nut M14 (1pc.) F-5020
	72200080	Needle Valve Extension Cable Set
	71615009	Glow Plug Type F

\* Type of screw

C...Cap Screw B...Binding Screw M...Oval Fillister-Head Screw  
F...Flat Head Screw T...Tapping Screw N...Round Head Screw S...Set Screw



No.	Code No.	Description
1	27381900	Needle Valve Assembly 6H,7H,8B,C14
1-1	29081952	Needle Assembly 6H,7H,8B,6P,FT,FF,FR
1-2	24981837	"O" Ring (2pcs.)
1-3	26381501	Set Screw
1-4	27381940	Needle Valve Holder Assembly 20C,60U,70D,7H
1-5	26711305	Ratchet Spring No.4
2	45582100	Carburetor Body (70N) FS120S3
2-1	45582400	70N Regulator Cover 60N,70N,1203
3	45581820	Rotor Guide Screw 20C,60MC,70D
4	22681953	Fuel Inlet (No.1)
5	45582300	Mixture Control Valve Assembly 70N,60F
5-1	46066319	"O" Ring (L) (2pcs.) (P-3)
5-2	24881824	"O" Ring (S) (2pcs.) (7B)
6	45582200	Carburetor Rotor (70N) FS120S3
7	27881400	Throttle Lever Assembly 70N,C14,60F,70D
8	46115000	Carburetor Rubber Gasket (S-11.2)
9	45581700	Carburetor Retaining Screw (2pcs.) FS70S-120S

No.	Code No.	Description
1	45513010	Screw Set FS120S,S2,SE
2	45504230	Rocker Cover FS120S3
3	45561401	Rocker Support Assembly FS120S3,SE
3-1	45561410	Rocker Support FS120S3,SE
3-2	45761600	Rocker Arm Retainer (2pc./1pair) FS26S-120S,70U
4	45561010	Rocker Arm Assembly (1pair) FS120S3,FT300
4-1	45561110	Rocker Arm (1pc.) FS120S3,FT300
4-2	45061202	Tappet Adjusting Screw FS,FT,FF,FR,IL
5	45560030	Intake Valve Assembly (1pair) FS120S3,SE
5-1	45560130	Intake Valve (1pc.) FS120S3,SE
5-2	45560210	Valve Spring (1pc.) FS120S3,SE
5-3	45560310	Valve Spring Retainer (1pc.) FS1203,SE
5-4	45560410	Split Cotter (2pc./1pair) FS120S3,SE,GF30
6	45560040	Exhaust Valve Assembly (1pair) FS120S3
6-1	45560140	Exhaust Valve (1pc.) FS120S3,SE
6-2	45560220	Valve Spring (1pc.) FS120S3,SE
6-3	45560310	Valve Spring Retainer (1pc.) FS120S3,SE
6-4	45560410	Split Cotter (2pc./1pair) FS120S3,SE,GF30
7	45504130	Cylinder Head (w/Gasket) FS120S3
8	45504030	Cylinder Head (w/valve Assembly) FS120S3
9	45569030	Intake Pipe Assembly FS120S3
9-1	45569031	Intake Pipe FS120S3
9-2	45771000	Breather Nipple (No.5)
10	45582000	Carburetor Complete (Type 70N) FS120S3
11	45503410	Piston Ring FS120S3
12	45503210	Piston FS120S,S2,S3,SE,SP
13	45506010	Piston Pin FS120S3,S2,SE
14	28117000	Piston Pin Retainer 120AX,81VR,108F
15	45505020	Connecting Rod FS120S3,S-SP

No.	Code No.	Description
16	45503100	Cylinder Liner FS120S,S2,S3,SP
17	72508001	PD-07 Pump Unit FS91S2P-120S3
18	45507030	Cover Plate FS120S3
19	45502040	Crankshaft FS120S3,FS120SE
20	45530030	Crankshaft Ball Bearing (R) FS91S2-120S3
21	45514030	Gasket Set FS120S3,S2
22	45501050	Crankcase FS120S3
23	45771000	Breather Nipple (No.5)
24	45231100	Camshaft Ball Bearing (1pc.) FS40-120S
25	45562030	Camshaft FS120S3
26	45501130	Cam Cover FS120S3
27	45566000	Push Rod (2pcs.) FS120S2,SE,IL300
28	45566101	Push Rod Cover Assembly (2pcs.) FS120S3,S2
28-1	45566111	Push Rod Cover (1pc.) FS120S3,SE,SP
28-2	45566310	Push Rod Cover "O" Ring (2pcs.) (S-5)
29	45564000	Cam Follower (2pcs.) FS70S-120S,FR
30	29031009	Crankshaft Ball Bearing (F) 108F,120S,FR
31	45520000	Thrust Washer FS120S,S2,SE,SP
32	45508030	Drive Hub FS120S3,SE
32-1	45508200	Woodruff Key FS120S3,SE,SP
33	45910100	Locknut Set FS70S2,91S,91FX
	45525030	F-5020 Silencer Assembly FS120S3
	45525031	Silencer Body F-5020 FS120S3
	45526030	Exhaust Header Pipe Assembly F-5020
	45526032	Manifold Nut (M14) (1pc.) F-5020
	71615009	Glow Plug Type F
	45581970	Needle 7L,7M,70S,120SE,FT160
	72200060	Tappet Adjusting Tool Kit FS,FT,FR



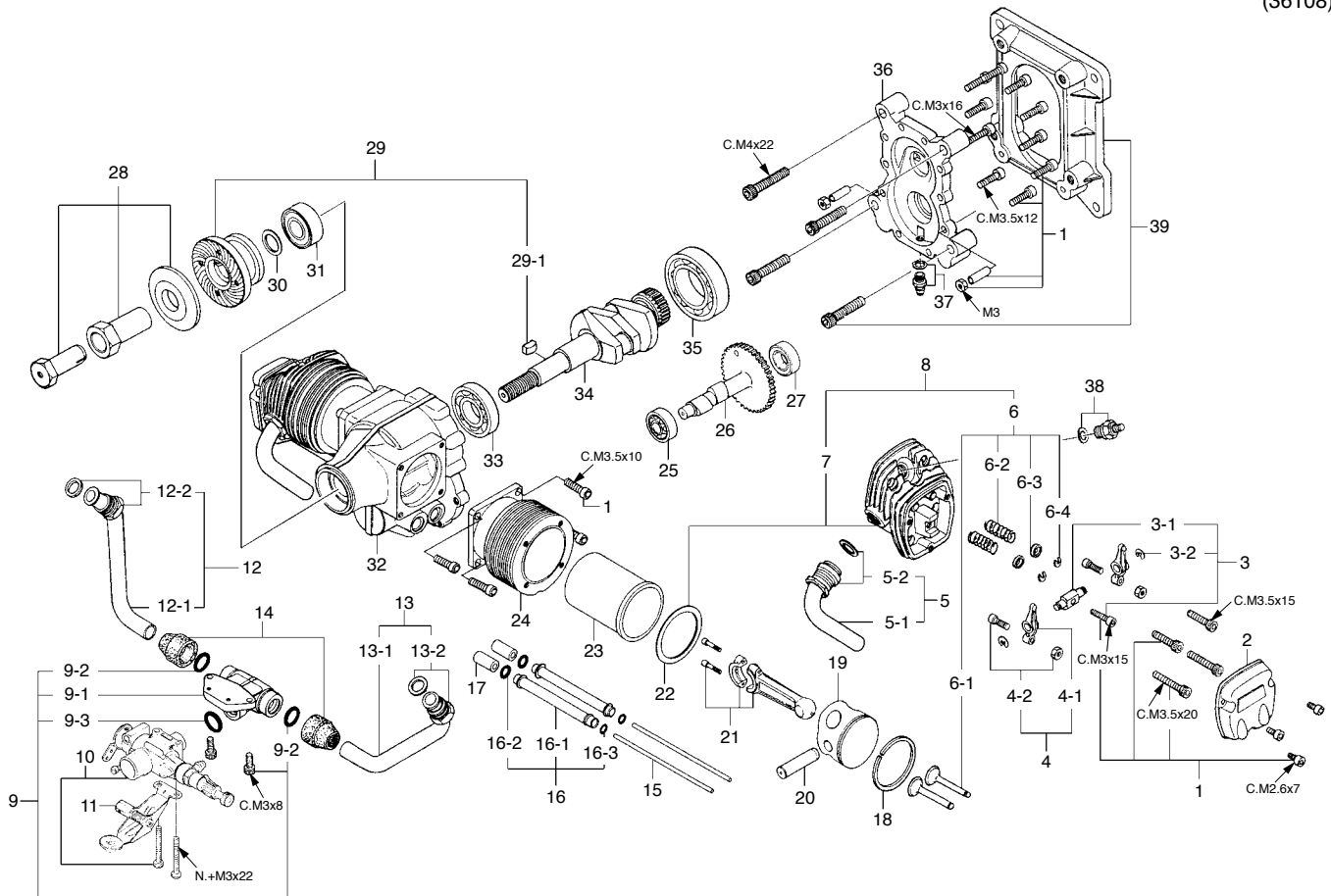
***EXPLODED VIEWS  
WITH CODE NUMBERS LIST***

**For Airplane  
4-Stroke Multi Cylinder  
Glow Engines**



\*Type of screw

C...Cap Screw B...Binding Screw M...Oval Fillister-Head Screw  
F...Flat Head Screw T...Tapping Screw N...Round Head Screw S...Set Screw

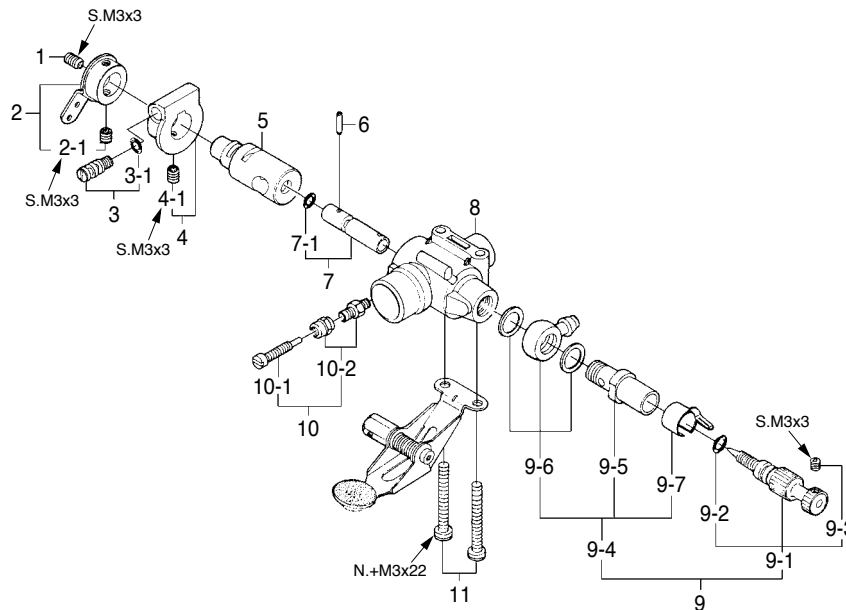


No.	Code No.	Description
1	46013002	Screw Set FT160,FT120-2
2	46104200	Rocker Cover FT160
3	45961400	Rocker Support Assembly FS $\alpha$ -81,FS70-91S
3-1	45961410	Rocker Support FS $\alpha$ -81,FS70,91S
3-2	45761600	Rocker Arm Retainer (2pcs.) FS26S-120S,70U
4	45361000	Rocker Arm Assembly (1pair) FS70S,91S2,FR
4-1	45361100	Rocker Arm (1pc.) FS70S,91S2,FF,FR
4-2	45061202	Tappet Adjusting Screw FS,FT,FF,FR,IL
5	46169000	Exhaust Pipe Assembly FT160
5-1	46169100	Exhaust Pipe FT160
5-2	45169200	Exhaust Pipe Lock Nut FT160,FT120-2
6	46160000	Valve Assembly (1pair) FS90,FT160,FF,IL
6-1	46160100	Valve (1pc.) FS90,FT160,FF,IL
6-2	45460200	Valve Spring (1pc.) FT160,IL300
6-3	45060309	Spring Seat (1pc.) FS,FT,FR,IL
6-4	46160400	Valve Spring Retainer (2pcs.) FS,FT,FR,IL
7	46104110	Cylinder Head (W/Gasket) FT160
8	46104020	Cylinder Head (W/Valve Assembly) FT160
9	46168000	Intake Manifold Assembly FT160
9-1	46168010	Intake Manifold FT160
9-2	45115000	Intake Pipe "O" Ring (2pcs.) (P-8) FS52S,FR
9-3	46115000	Carburetor Rubber Gasket (S-11.2)
10	46481000	Carburetor Complete FF320,FT160
11	46184000	Choke Valve Assembly FT,FF
12	46168100	Intake Pipe Assembly (right) FT160
12-1	46168110	Intake Pipe (right) FT160
12-2	45169200	Intake Pipe Lock Nut FT160,FT120-2
13	46168200	Intake Pipe Assembly (left) FT160
13-1	46168210	Intake Pipe (left) FT160
13-2	45169200	Intake Pipe Lock Nut FT160,FT120-2
14	46168500	Intake Boots (2pcs.) FT160
15	46166000	Push Rod (2pcs.) FS120S-SP,FT160

No.	Code No.	Description
16	45566100	Push Rod Cover Assembly (2pcs.) FT160,120-2
16-1	45566110	Push Rod Cover (1pc.) FT160,120-2
16-2	45566300	Push Rod Cover "O" Ring (L) (2pcs.) (P-4)
16-3	24881824	Push Rod Cover "O" Ring (S) (2pcs.) (7B)
17	45564000	Cam Follower (2pcs.) FS70S-120S,FT,FF
18	45403400	Piston Ring FS91S,FT160
19	45903200	Piston FS $\alpha$ -81,FS91S2,91S,FT160
20	45906000	Piston Pin FS $\alpha$ -81,FS91S,FT160
21	46105000	Connecting Rod Assembly FT160,FT120-2
22	46114000	Head Gasket Set (2pcs.) FT160
23	46103100	Cylinder Liner FS91S2,91S,FT160
24	46103300	Cylinder Jacket FT160
25	46031005	Camshaft Bearing (front) FT,FF,IL
26	46162000	Camshaft FT160,FT120-2
27	22631019	Camshaft Bearing (rear) CZ,FT,FF,IL
28	46110100	Propeller Locknut Set FT160,FT120-2
29	46108000	Drive Hub FT160,FT120-2
29-1	45508200	Woodruff Key FS120S3,SE,SP
30	46120000	Thrust Washer 91FX, SXH, SZ, FT160, FF
31	26731002	Crankshaft Bearing (front) 40-61,70S,91S
32	46101000	Crankcase FT160
33	22130004	Crankshaft Bearing (intermediate) FT160,120-2,FF
34	46102000	Crankshaft FT160,FT120-2
35	46030008	Crankshaft Bearing (rear) 120AX,FT160,FF
36	46101800	Rear Housing FT160
37	45471000	Breather Nipple (No.4)
38	71615009	Glow Plug Type F
39	71910000	Radial Motor Mount Set FT160,FT120-2
	72200170	Plug Cable Set
	72200171	Plug Cable
	72200190	Plug Terminal
	72200180	Earth Cable $\varnothing$ 5
	72200060	Valve Adjusting Kit FS,FT,FR

\* Type of screw

C...Cap Screw B...Binding Screw M...Oval Fillister-Head Screw  
F...Flat Head Screw T...Tapping Screw N...Round Head Screw S...Set Screw

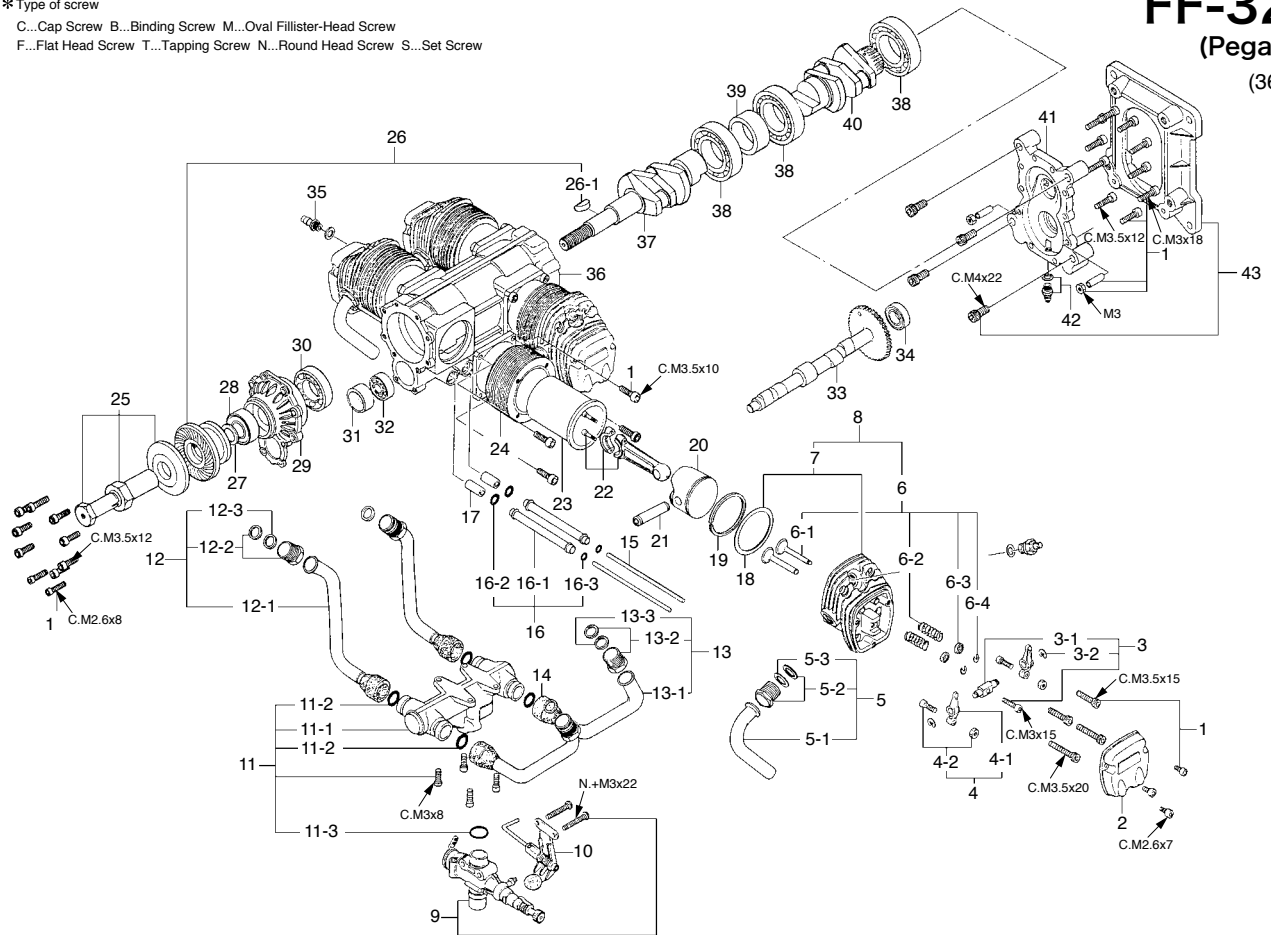


Note: The choke valve assembly is not included in the carburettor complete.

No.	Code No.	Description
1	26381501	Set-screw
2	24981405	Throttle Lever Assembly 4BK-4E,20J,FF
2-1	26381501	Set-screw
3	46481320	Mixture Control Screw Assembly FF,FR,FT160
3-1	22781800	"O" Ring (2pcs.) (S) 10D,10F,1H-3H,20E
4	46481330	Mixture Control Screw Holder Assembly FF,FR
4-1	26381501	Set-screw
5	46481200	Carburetor Rotor FF320,FT160
6	46281340	Mixture Control Valve Pin FT160-300,FR5
7	46481310	Mixture Control Valve Assembly FF,FR,FT160
7-1	22781800	"O" Ring (2pcs.) (S) 10D,10F,1H-3H,20E
8	46481100	Carburetor Body FF320,FT160
9	46281900	Needle Valve Assembly FT,FF,FR
9-1	29081952	Needle Assembly 6H,7H,8B,6P,FT,FF,FR
9-2	24981837	"O" Ring (2pcs.)
9-3	26381501	Set-screw
9-4	46181940	Needle Valve Holder Assembly FT,FF
9-5	46181941	Needle Valve Holder FT,FF,FR,91FX
9-6	46181950	Fuel Inlet 20M,FT,FF,FR,91FX
9-7	26711305	Ratchet Spring No.4
10	26781619	Throttle Stop Screw Assembly FT,FF,4D,46
10-1	26681305	Throttle Stop Screw 2D-7B
10-2	26681803	Throttle Stop Screw Holder 2D-7B
11	45581700	Carburetor Retaining Screw FS70S-120S

\* Type of screw

C...Cap Screw B...Binding Screw M...Oval Fillister-Head Screw  
F...Flat Head Screw T...Tapping Screw N...Round Head Screw S...Set Screw



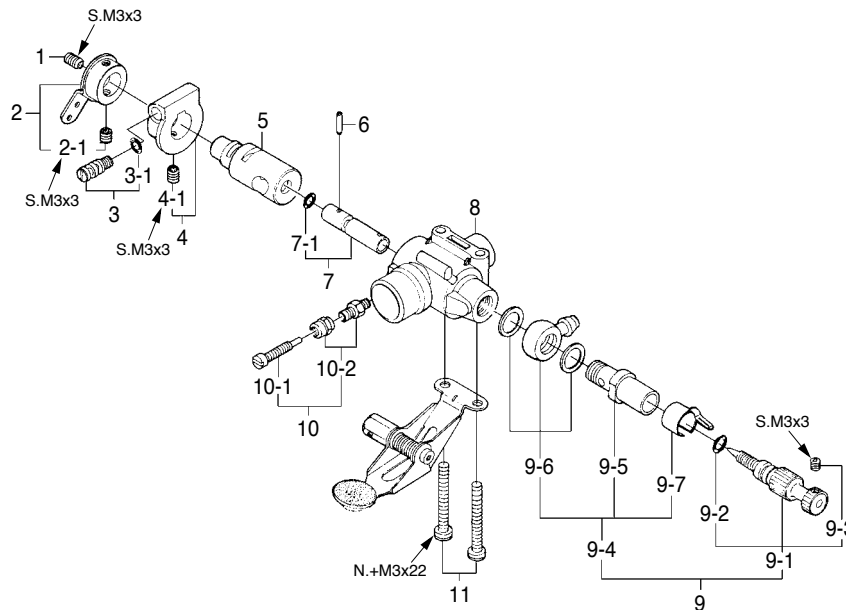
No.	Code No.	Description
1	46413001	Screw Set FF320
2	46404200	Rocker Cover FF320
3	45961400	Rocker Support Assembly FS $\alpha$ -81,FS70-91S
3-1	45961410	Rocker Support FS $\alpha$ -81,FS70,91S
3-2	45761600	Rocker Arm Retainer (2pcs.) FS26-120S,70U
4	45361000	Rocker Arm Assembly (1pair) FS70S,91S2,FR
4-1	45361100	Rocker Arm (1pc.) FS70S,91S2,FF,FR
4-2	45061202	Tappet Adjusting Screw FS,FT,FF,FR,IL
5	46469000	Exhaust Pipe Assembly (1pair) FF320
5-1	46169100	Exhaust Pipe FT160
5-2	45169200	Exhaust Pipe Lock Nut FT120-2,160
5-3	46468300	Exhaust Pipe Washer (1pc.) FF320
6	46160000	Valve Assembly (1pair) FS90,FT160,FF,IL
6-1	46160100	Valve (1pc.) FS90,FT160,FF,IL
6-2	45460200	Valve Spring (1pc.) FT160,IL300
6-3	45060309	Spring Seat (1pc.) FS,FT,FR,IL
6-4	46160400	Valve Spring Retainer (2pcs.) FS,FT,FR,IL
7	46404120	Cylinder Head FF320
8	46404030	Cylinder Head (W/Valve Assembly) FF320
9	46481000	Carburetor Complete FF320,FT160
10	46184000	Choke Valve Assembly FT,FF
11	46468000	Intake Manifold Assembly FF320
11-1	46468010	Intake Manifold FF320
11-2	45115000	Intake Pipe "O" Ring (2pcs.) (P-8) FS52S,FR
11-3	46115000	Carburetor Gasket (S-11.2)
12	46468100	Intake Pipe Assembly (right) (1pair) FF320
12-1	46168110	Intake Pipe (right) FT160
12-2	45169200	Intake Pipe Lock Nut FT120-2,160
12-3	46468300	Intake Pipe Washer (1pc.) FF320
13	46468200	Intake Pipe Assembly (left) (1pair) FF320
13-1	46168210	Intake Pipe (left) FT160
13-2	45169200	Intake Pipe Lock Nut FT120-2,160
13-3	46468300	Intake Pipe Washer (1pc.) FF320
14	46168500	Intake Boots (2pcs.) FT160
15	45566000	Push Rod (2pcs.) FS120S2,SE,IL300
16	45566100	Push Rod Cover Assembly (2pcs.) FT160,120-2
16-1	45566110	Push Rod Cover (1pc.) FT160,120-2

No.	Code No.	Description
16-2	45566300	Push Rod Cover "O" Ring (L) (2pcs.) (P-4)
16-3	24881824	Push Rod Cover "O" Ring (S) (2pcs.) (7B)
17	45564000	Cam Follower (2pcs.) FS70S-120S,FT,FF
18	46414010	Head Gasket Set FF320
19	45403400	Piston Ring FS91S,FT160
20	45903200	Piston FS $\alpha$ -81,FS91S2,91S,FT160
21	45906000	Piston Pin FS $\alpha$ -81,FS91S,FT160
22	46105000	Connecting Rod Assembly FT160,FT120-2
23	46103100	Cylinder Liner FS91S2,91S,FT160
24	46103300	Cylinder Jacket FT160
25	46410100	Lock Nut Set (5/16-24) FF320
26	46408000	Drive Hub FF320
26-1	45508200	Woodruff Key FS120S3,SE,SP
27	46120000	Thrust Washer 91FX, SXH, SZ, FT160, FF
28	26731002	Crankshaft Bearing No.1 40-61,70S,91S
29	46401610	Front Housing FF320
30	22130004	Crankshaft Bearing No.2 FT120-2,160,FF
31	46431100	Camshaft Bearing Spacer FF320
32	46031005	Camshaft Bearing (front) FT,FF,IL
33	46462000	Camshaft FF320
34	22631019	Camshaft Bearing (rear) CZ,FT,FF,IL
35	22681015	Breather Nipple (No.1)
36	46401000	Crankcase FF320
37	46402100	Crankshaft No.1 FF320
38	46030008	Crankshaft Bearing No.3 120AX,FT160,FF
39	46402300	Coupling Collar FF320
40	46402200	Crankshaft No.2 FF320
41	46401810	Rear Housing FF320
42	24025923	Drain Nipple (No.2) 5.0mm
43	71910000	Radial Motor Mount Set FT120-2,160
	71615009	Glow Plug Type F
	72200170	Plug Cable Set
	72200171	Plug Cable
	72200190	Plug Terminal
	72200180	Earth Cable $\varnothing$ 5
	72200060	Valve Adjusting Kit FS,FT,FR
	46471000	Drain Plug FF,FR

The specifications are subject to alteration for improvement without notice.

\* Type of screw

C...Cap Screw B...Binding Screw M...Oval Fillister-Head Screw  
F...Flat Head Screw T...Tapping Screw N...Round Head Screw S...Set Screw

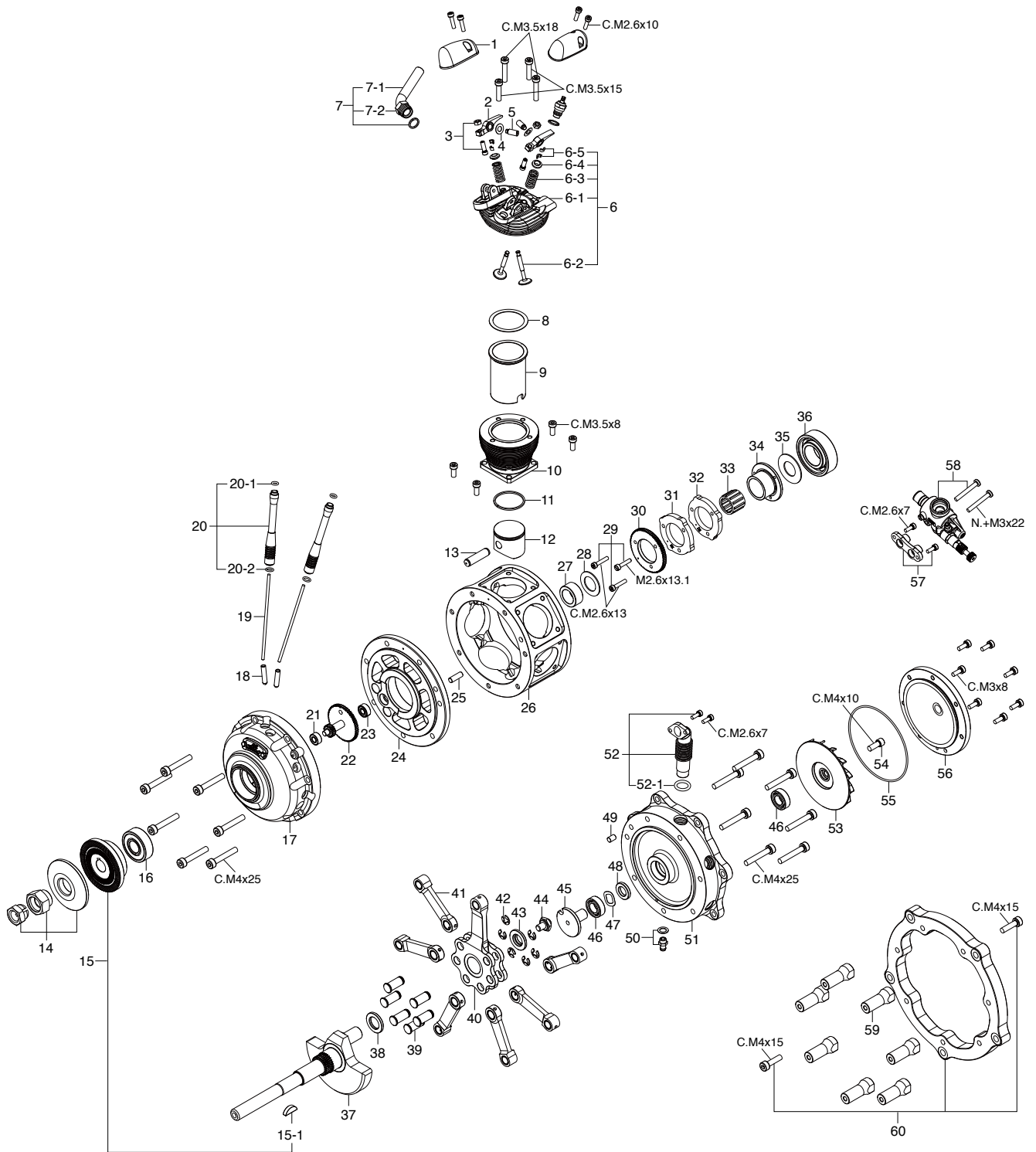


Note: The choke valve assembly is not included in the carburettor complete.

No.	Code No.	Description
1	26381501	Set-screw
2	24981405	Throttle Lever Assembly 4BK-4E,20J,FF
2-1	26381501	Set-screw
3	46481320	Mixture Control Screw Assembly FF,FR,FT160
3-1	22781800	"O" Ring (2pcs.) (S) 10D,10F,1H-3H,20E
4	46481330	Mixture Control Screw Holder Assembly FF,FR
4-1	26381501	Set-screw
5	46481200	Carburetor Rotor FF320,FT160
6	46281340	Mixture Control Valve Pin FT160-300,FR5
7	46481310	Mixture Control Valve Assembly FF,FR,FT160
7-1	22781800	"O" Ring (2pcs.) (S) 10D,10F,1H-3H,20E
8	46481100	Carburetor Body FF320,FT160
9	46281900	Needle Valve Assembly FT,FF,FR
9-1	29081952	Needle Assembly 6H,7H,8B,6P,FT,FF,FR
9-2	24981837	"O" Ring (2pcs.)
9-3	26381501	Set-screw
9-4	46181940	Needle Valve Holder Assembly FT,FF
9-5	46181941	Needle Valve Holder FT,FF,FR,91FX
9-6	46181950	Fuel Inlet 20M,FT,FF,FR,91FX
9-7	26711305	Ratchet Spring No.4
10	26781619	Throttle Stop Screw Assembly FT,FF,4D,46
10-1	26681305	Throttle Stop Screw 2D-7B
10-2	26681803	Throttle Stop Screw Holder 2D-7B
11	45581700	Carburetor Retaining Screw FS70S-120S

\* Type of screw

C...Cap Screw B...Binding Screw M...Oval Fillister-Head Screw  
F...Flat Head Screw T...Tapping Screw N...Round Head Screw S...Set Screw



### CAP SCREW SETS (10pcs./sets)

Code No.	Size	Code No.	Size
79871020	M2.6x7	79871090	M3.5x15
79871030	M2.6x10	79871098	M3.5x18
79871110	M3x8	79871415	M4x15
79871060	M3.5x8	79871425	M4x25

No.	Code No.	Description
1	47104200	Rocker Cover FR7-420
2	47161100	Rocker Arm FS $\alpha$ -81
3	45061202	Tappet Adjusting Screw FS,FT,FF,FR,IL
4	47161120	Rocker Arm Thrust Washer (2pcs.) FR7-420
5	47161500	Rocker Arm Shaft FR7-420
6	47104000	Cylinder Head (W/Valve Assembly) FR7-420
6-1	47104100	Cylinder Head FR7-420
6-2	44851000	Valve (1pc.) FS $\alpha$ -81
6-3	45960210	Valve Spring (1pc.) FS70S2,91S2,70U
6-4	45960310	Valve Spring Retainer (1pc.) FS70S2,91S2
6-5	45960400	Cotter Pin (2pcs.) FS70S,70S2,70U,91S2
7	45269000	Exhaust Pipe Assembly (60 degrees) FR5-300
7-1	45269100	Exhaust Pipe (60 degrees) FR5-300
7-2	45069200	Exhaust Pipe Lock Nut FS,FT,FR
8	47114010	Head Gasket (AL0.4) FR7-420
9	47003100	Cylinder Liner FR5,FR7
10	47103300	Cylinder Jacket FR7-420
11	44603400	Piston Ring FS $\alpha$ -56
12	45603200	Piston FR5,FR7,FT120-2
13	45606000	Piston Pin 65LA,FR5,FT120-2
14	29310100	Propeller Locknut Set 3/8-24 BGX-1,FR7
15	47108000	Drive Hub FR7-420
15-1	29208200	Woodruff Key BGX-1,FT300,IL,FR
16	29031009	Ball Bearing (Front) 108F,120S,FR
17	47101600	Front Housing FR7-420
18	47164000	Cam Follower (2pcs.) FR7,FR5
19	47066000	Push Rod Set (S&L 1Piece Each) FR5-300
20	47166100	Push Rod Cover Set (S&L 1Piece Each) FR7-420
20-1	24881824	"O" Ring (2pcs.) (7B)
20-2	47166210	"O" Ring (2pcs.) (SS5)
21	47031000	Reduction Gear Bearing (Front) FR5,FR7
22	47162700	Reduction Gear FR7-420
23	47131000	Reduction Gear Bearing (Rear) FR7-420
24	47101610	Front Plate FR7-420
25	47101100	Crankcase Locating Pin FR7-420
26	47101000	Crankcase FR7-420
27	47102100	Crankshaft Spacer FR7-420
28	47062300	Cam Thrust Washer (B) FR5,FR7
29	47162600	Cam Assembly Screw FR7-420
30	47162500	Cam Gear FR7-420
31	47162000	Intake Cam FR7-420
32	47162100	Exhaust Cam FR7-420

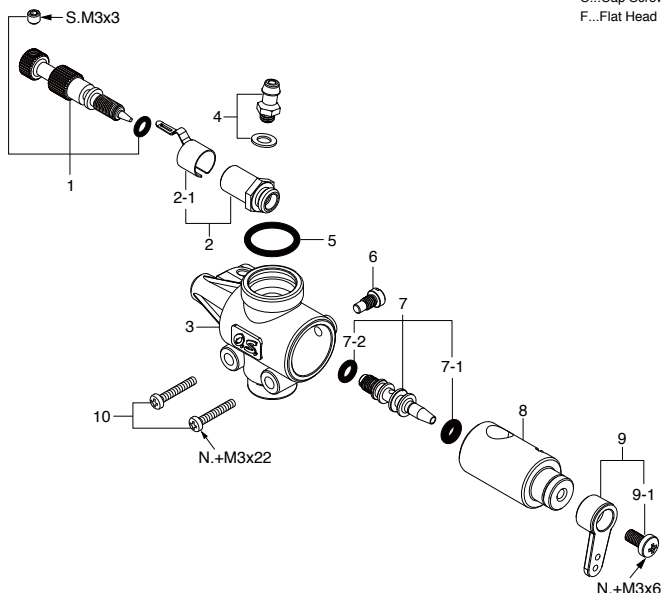
No.	Code No.	Description
33	47030000	Cam Holder Bearing FR5,FR7
34	47162400	Cam Holder FR7,FR5
35	47062200	Cam Thrust Washer (A) FR5,FR7
36	47130000	Ball Bearing (Rear) FR7-420
37	47102000	Crankshaft FR7-420
38	47002300	Master Connecting rod Spacer FR5,FR7
39	47105400	Link Pin FR7-420
40	47105000	Master Connecting Rod Assembly FR7-420
41	47005300	Link Rod FR5,FR7
42	47105410	Link Pin E Ring FR7-420
43	47002200	Crank Pin Washer FR5,FR7
44	47102310	Crank Pin Stop Screw FR7-420
45	47102400	Drive Shaft FR7-420
46	47131100	Drive Shaft Bearing FR7-420
47	47109500	Wave Washer (8mm) FR7-420
48	47109400	Drive Shaft Spacer FR7-420
49	47101810	Back Plate Parallel Pin FR7-420
50	24025923	Nipple No.2 (5mm)
51	47101800	Back Plate FR7-420
52	47168000	Intake Manifold Set FR7-420
52-1	45515000	"O" Ring (2pcs.) (P-9)
53	47107100	Impeller FR7-420
54	44516110	Drive Shaft Retaining Screw FR7-420
55	29714200	"O" Ring (1.2x54)
56	47101700	Rear Cover FR7-420
57	47181140	Carburetor Spacer FR7-420
58	47181000	Carburetor Complete (80T) FR7-420
59	71912110	Radial Mount Stand Off (1pc.) FR7-420
60	71912100	Radial Mount FR7-420
	71615009	Glow Plug Type F
	46471000	Drain Plug FF,FR
	72200060	Valve Adjusting Kit FS,FT,FR
	72200170	Plug Cable Set
	72200171	Plug Cable
	72200190	Plug Terminal
	72200180	Earth Cable $\varnothing$ 5
	47181210	Carburetor Insert (80T) FR7-420
	72200080	Needle-Valve Extension Cable Set
	71912150	Radial Mount Retaining Screw Set
	79870050	Blind Nut M5 (10pcs.)
	79871525	Cap Screw M5x25 (10pcs.)

\* Type of screw

C...Cap Screw B...Binding Screw M...Oval Fillister-Head Screw  
F...Flat Head Screw T...Tapping Screw N...Round Head Screw S...Set Screw

## TYPE 80T

(47181000)



No.	Code No.	Description
1	47181970	Needle Assembly (80T) FR7-420
2	27381940	Needle Holder Assembly 20C,60U,70D,7H
2-1	26711305	Ratchet Spring No.4
3	47181100	Carburetor Body (80T) FR7-420
4	22681953	Fuel Inlet (Nipple No.1)
5	46115000	Carburetor Rubber Gasket (S-11.2)
6	45581820	Rotor Guide Screw 20C,60MC,70D
7	47181600	Mixture Control Valve Assembly (80T) FR7-420
7-1	46066319	"O" Ring (L) (2pcs.) (P-3)
7-2	24881824	"O" Ring (S) (2pcs.) (7B)
8	47181200	Carburetor Rotor (80T) FR7-420
9	22081408	Throttle Lever No.5
9-1	22081313	Throttle Lever Retaining Screw 1A-3A
10	45581700	Carburetor Retaining Screw (2pcs.) FS70S-120S

***EXPLODED VIEWS  
WITH CODE NUMBERS LIST***

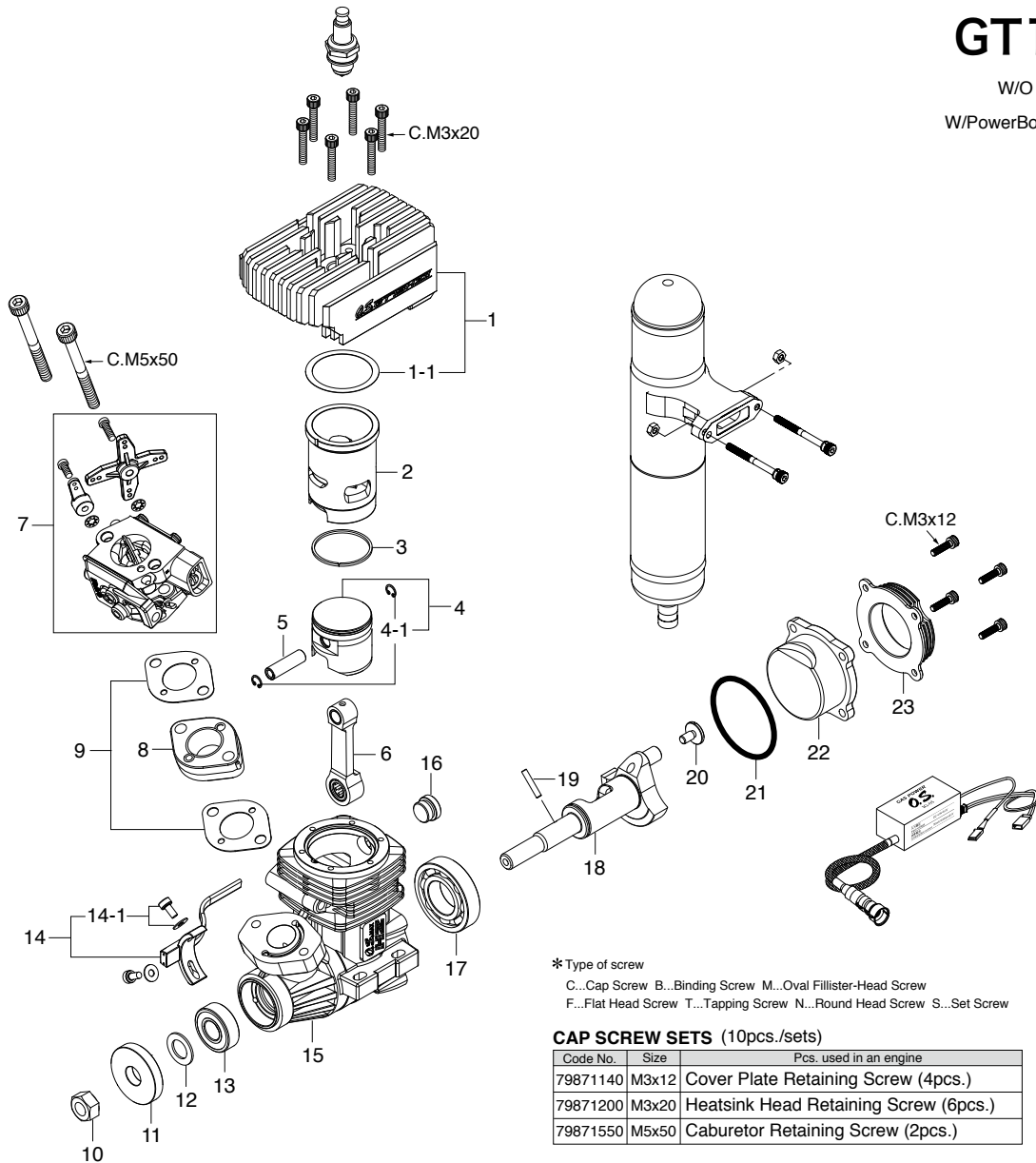
**For Helicopter  
2-Stroke  
Gasoline Engines**





## GT15HZII

W/O Silencer (38156)  
W/PowerBoost Pipe (38157)



\* Type of screw

C...Cap Screw B...Binding Screw M...Oval Fillister-Head Screw  
F...Flat Head Screw T...Tapping Screw N...Round Head Screw S...Set Screw

### CAP SCREW SETS (10pcs./sets)

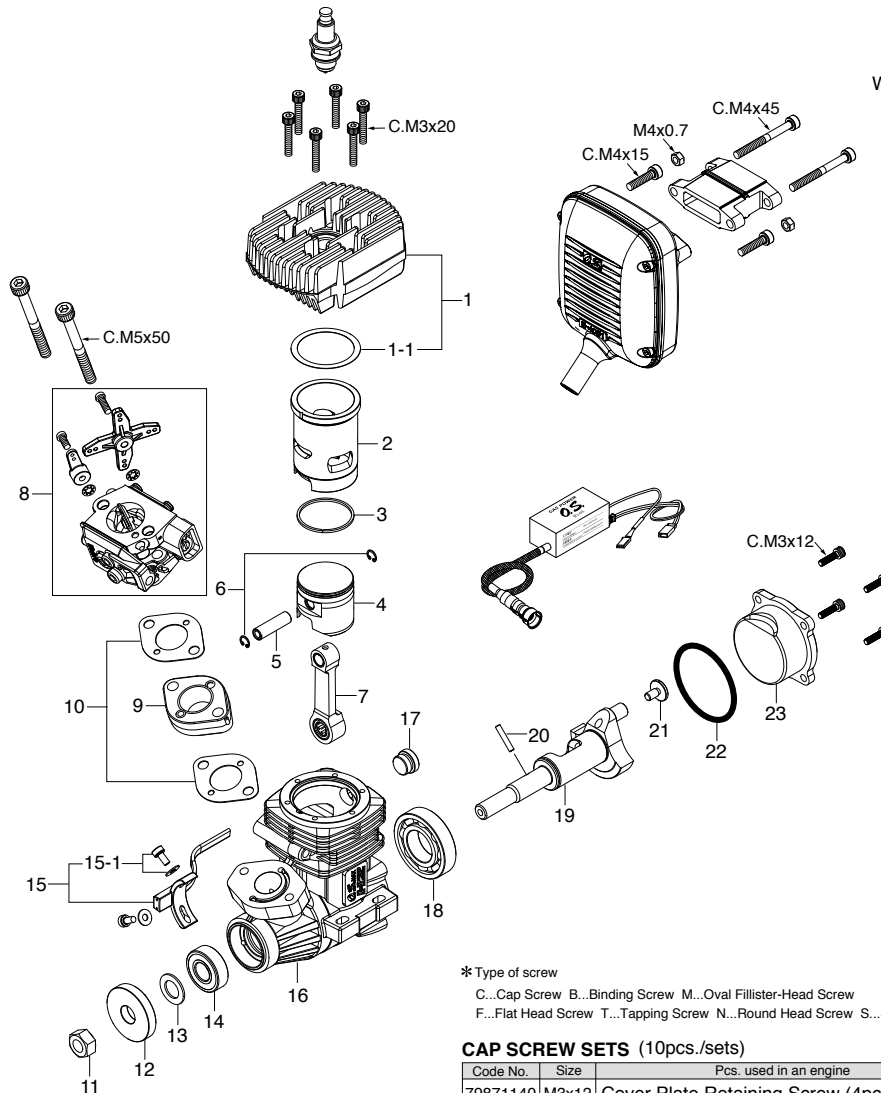
Code No.	Size	Pcs. used in an engine
79871140	M3x12	Cover Plate Retaining Screw (4pcs.)
79871200	M3x20	Heatsink Head Retaining Screw (6pcs.)
79871550	M5x50	Caburetor Retaining Screw (2pcs.)

No.	Code No.	Description
1	28154010	Heatsink Head GT15HZII
1-1	29061406	Head Gasket (0.2mm) 91HZ
2	28153100	Cylinder Liner GT15HZ
3	28153400	Piston Ring GT15HZ
4	28153202	Piston GT15HZ
4-1	28117030	Piston Pin Retainer (2pcs.) GT15HZ
5	26606008	Piston Pin 91HZ,61SX-H,61FSR
6	28155000	Connecting Rod GT15HZ
7	28181000	Carburetor Complete (WT-1067) GT15HZ
8	28169450	Thermo Insulator GT15HZ
9	49415000	Carburetor Gasket (2pcs.) GT15HZ
10	45010002	Propeller Nut (5/16-24) 61-91
11	28158000	Drive Hub GT15HZ
12	46120000	Thrust Washer 91FX,SXH,SZ,FT160,FF
13	26731010	Ball Bearing (F) 120AX
14	74002320	Rotation Sensor GT33,GT22.GT60,GF30
14-1	74002321	Rotation Sensor Retaining Screw Set (2pcs.) GT33,22,60
15	28151000	Crankcase GT15HZ
16	28151300	Crankcase Plug GT15HZ
17	29030001	Ball Bearing (R) 61-91F,FX,FR
18	28152000	Crankshaft GT15HZ
19	44408100	Drive Pin FL70
20	28152100	Crank Pin Stop Screw GT22,GF30
21	27414020	Cover Gasket (S36) 75AX
22	28157000	Cover Plate GT15HZ
23	29077100	Crankcase Heatsink 91HZ

Code No.	Description
74002610	Ignition Module (IG-05) GT15HZ
29781375	Throttle Valve Lever Assembly (W/washer) GT15HZ
29781355	WLA-2 N4-40x9 Screw 96-603
29781360	WLA-2 Choke Valve Lever Assembly
29781350	WLA-2 N4-40x5 Screw 96-156
72148000	Power Boost Pipe GT15HZ
29122520	Silencer Retaining Screw (L) C.M4x45 (2pcs.) E-5020
72145010	Exhaust Tube PBP90
72145020	Exhaust Gasket Set (2pcs.) 91HZ PBP90
71669010	Spark Plug CM-6 (Rcexl) GT15,22,33,55,60,GF40,GT15HZ,600

## GT15HZ

W/O Silencer (38150)  
 W/PowerBoost Pipe (38153)  
 W/E-4051 Silencer (38154)



\* Type of screw  
 C...Cap Screw B...Binding Screw M...Oval Fillister-Head Screw  
 F...Flat Head Screw T...Tapping Screw N...Round Head Screw S...Set Screw

### CAP SCREW SETS (10pcs./sets)

Code No.	Size	Pcs. used in an engine
79871140	M3x12	Cover Plate Retaining Screw (4pcs.)
79871200	M3x20	Heatsink Head Retaining Screw (6pcs.)
79871550	M5x50	Caburetor Retaining Screw (2pcs.)

No.	Code No.	Description
1	28154000	Heatsink Head GT15HZ
1-1	29061406	Head Gasket (0.2mm) 91HZ
2	28153100	Cylinder Liner GT15HZ
3	28153400	Piston Ring GT15HZ
4	28153201	Piston GT15HZ
5	26606008	Piston Pin 91HZ,61SX-H,61FSR
6	28117020	Piston Pin Retainer GT15HZ
7	28155000	Connecting Rod GT15HZ
8	28181000	Carburetor Complete (WT-1067) GT15HZ
9	28169450	Thermo Insulator GT15HZ
10	49415000	Carburetor Gasket (2pcs.) GT15HZ
11	45010002	Propeller Nut (5/16-24) 61-91
12	28158000	Drive Hub GT15HZ
13	46120000	Thrust Washer 91FX,SX-H,SZ,FT160,FF
14	26731010	Ball Bearing (F) 120AX
15	74002320	Rotation Sensor GT33,GT22,GT60,GF30
15-1	74002321	Rotation Sensor Retaining Screw Set (2pcs.) GT33,22,60
16	28151000	Crankcase GT15HZ
17	28151300	Crankcase Plug GT15HZ
18	29030001	Ball Bearing (R) 61-91F,FX,FR
19	28152000	Crankshaft GT15HZ
20	44408100	Drive Pin FL70
21	28152100	Crank Pin Stop Screw GT22,GF30
22	27414020	Cover Gasket (S36) 75AX
23	28157000	Cover Plate GT15HZ

Code No.	Description
74002610	Ignition Module (IG-05) GT15HZ
29781375	Throttle Valve Lever Assembly (W/washer) GT15HZ
29781355	WLA-2 N4-40x9 Screw 96-603
29781360	WLA-2 Choke Valve Lever Assembly
29781350	WLA-2 N4-40x5 Screw 96-156
27426010	E-4051 Silencer Assembly GT15HZ
26625510	E-4011 Extension Adaptor
27426210	Silencer Retaining Screw Set E-4051 GT15HZ
72148000	Powerboost Pipe GT15HZ
29122520	Silencer Retaining Screw (L) C.M4x45 (2pcs.) E-5020
72145010	Exhaust Tube PBP90
72145020	Exhaust Gasket Set (2pcs.) 91HZ PBP90
71669010	Spark Plug CM-6 (Rcexl) GT15,22,33,55,60,GF40,GT15HZ,600

***EXPLODED VIEWS  
WITH CODE NUMBERS LIST***

**For Helicopter  
2-Stroke  
Glow Engines**

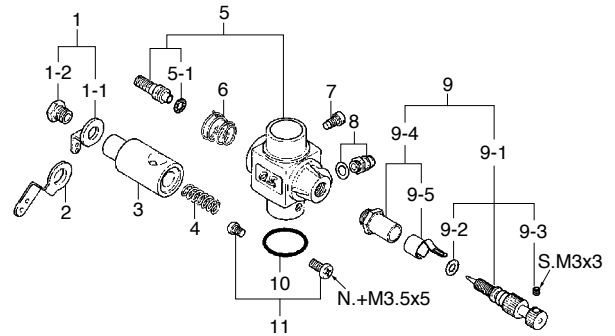
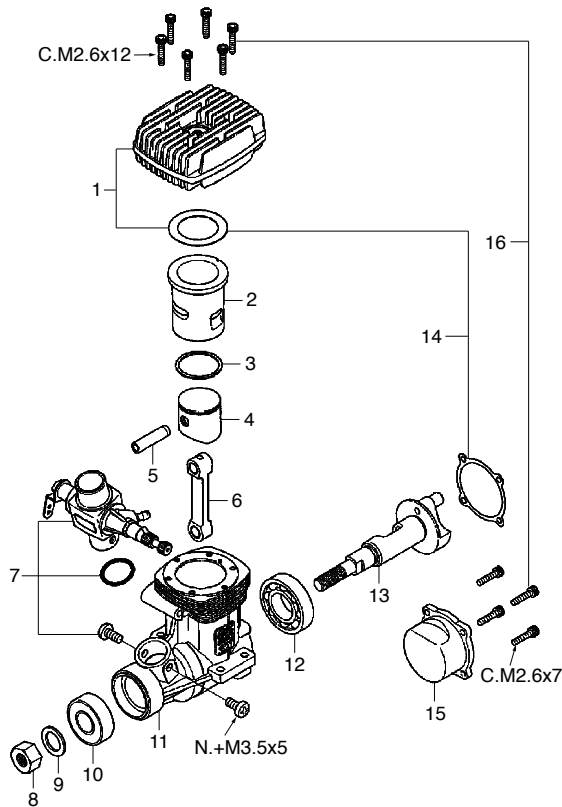


## MAX-32SX-HRING

(12956)

## TYPE 20C

(23481000)



\* Type of screw

C...Cap Screw B...Binding Screw M...Oval Fillister-Head Screw  
F...Flat Head Screw T...Tapping Screw N...Round Head Screw S...Set Screw

No.	Code No.	Description
1	23404000	Heatsink Head 32SX-H
2	23403100	Cylinder Liner 32SX-HX
3	22903400	Piston Ring 32SX-H,F-H
4	23403200	Piston 32SX-HX
5	23406000	Piston Pin 37SZ-H,32SX,SX-H
6	23405000	Connecting Rod 32SX,SX-H
7	23481000	Carburetor Complete (Type 20C) 32SX-H
8	23210007	Propeller Nut (1/4-28) 21-61
9	22620003	Thrust Washer 37SZ,21-32
10	22831000	Crankshaft Ball Bearing (Front) 25FX,32SX,37SZ
11	23401000	Crankcase 32SX,SX-H
12	23430000	Crankshaft Ball Bearing (Rear) 32SX-H,21VG
13	23402000	Crankshaft 32SX-H
14	23414000	Gasket Set 32SX,SX-H
15	22907000	Cover Plate 32SX-H,F-H
16	22413009	Screw Set 25FX,32SX,21RZ,32F
	71605300	Glowplug A3

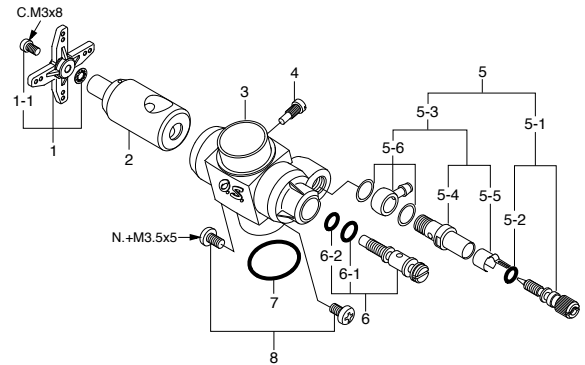
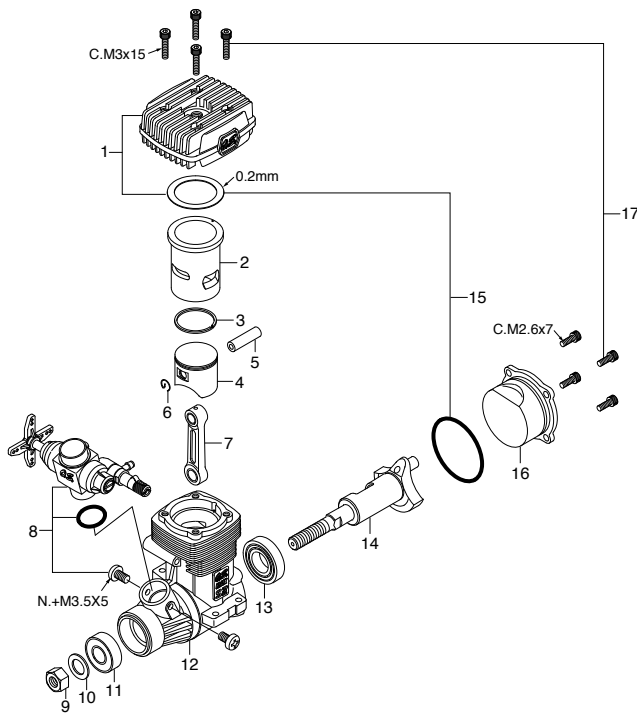
No.	Code No.	Description
1	23481400	Throttle Lever Assembly 20C
1-1	22781410	Throttle Lever (Iron) 1H,2H,20C
1-2	22781420	Throttle Lever Retaining Screw 2CK,2H,3H,20C
2	22781411	Throttle Lever (Standard accessorie) 80N,2CK,20C,40B
3	23481200	Carburetor Rotor 20C,20F
4	23481650	Mixture Control Valve Spring 20C
5	23481100	Carburetor Body (20C) 32SX-H
5-1	24881824	"O" Ring (2pcs.) (7B)
6	26781506	Rotor Spring 2D-7B,20C,40B,60C
7	45581820	Rotor Guide Screw 20C,60MC,70D
8	22681953	Fuel Inlet (No.1)
9	27681900	Needle Valve Assembly 20C,46,86,91S
9-1	27681970	Needle 20C,46,86,91S,C13
9-2	24981837	"O" Ring (2pcs.) (For Needle)
9-3	26381501	Set Screw
9-4	27381940	Needle Valve Holder 20C,60U,70D,7H
9-5	26711305	Ratchet Spring No.4
10	22615000	Carburetor Rubber Gasket 2A-3A,20C,20D
11	23081706	Carburetor Retaining Screw 25-46LA,49PI

## MAX-37SZ-HRING

(14000)

## TYPE 20M

(23483000)



\* Type of screw

C...Cap Screw B...Binding Screw M...Oval Fillister-Head Screw

F...Flat Head Screw T...Tapping Screw N...Round Head Screw S...Set Screw

### CAP SCREW SETS (10pcs./sets)

Code No.	Size	Pcs. used in an engine
79871020	M2.6x7	Cover Plate Retaining Screw (4pcs.)
79871110	M3x8	Throttle Lever Retaining Screw (1pc.)
79871150	M3x15	Cylinder Head Retaining Screw (4pcs.)

No.	Code No.	Description
1	23414300	Heatsink Head 37SZ-H
2	23413100	Cylinder Liner 37SZ-H
3	25403400	Piston Ring 37SZ-H,40SF
4	23413200	Piston 37SZ-H
5	23406000	Piston Pin 37SZ-H,32SX,SX-H
6	24517000	Piston Pin Retainer (2pcs.) 30VG,37SZ,46VX
7	23415000	Connecting Rod 37SZ-H
8	23483000	Carburetor Complete (20M) 37SZ-H
9	23210007	Propeller Nut (1/4-28) 21-61
10	22620003	Thrust Washer 37SZ,21-32
11	22831000	Crankshaft Bearing (Front) 25FX,32SX,37SZ
12	23411000	Crankcase 37SZ-H
13	23730000	Crankshaft Bearing (Rear) 37SZ,21RZ
14	23412000	Crankshaft 37SZ-H
15	23424000	Gasket Set 37SZ-H
16	23427000	Cover Plate 37SZ-H
17	23411300	Screw Set 37SZ-H
	29085140	Throttle Lever Assembly 40L 61B-P2
	71608001	Glow Plug No.8

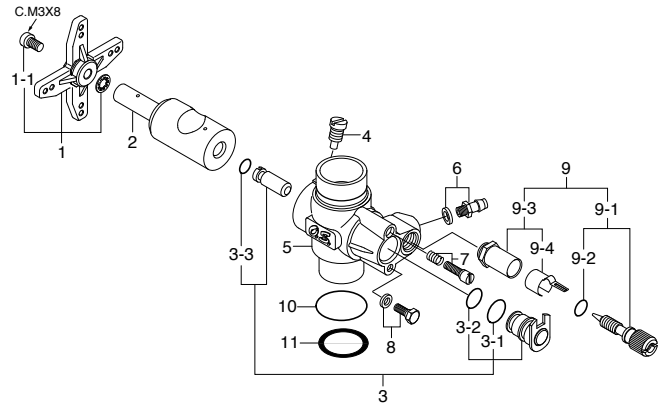
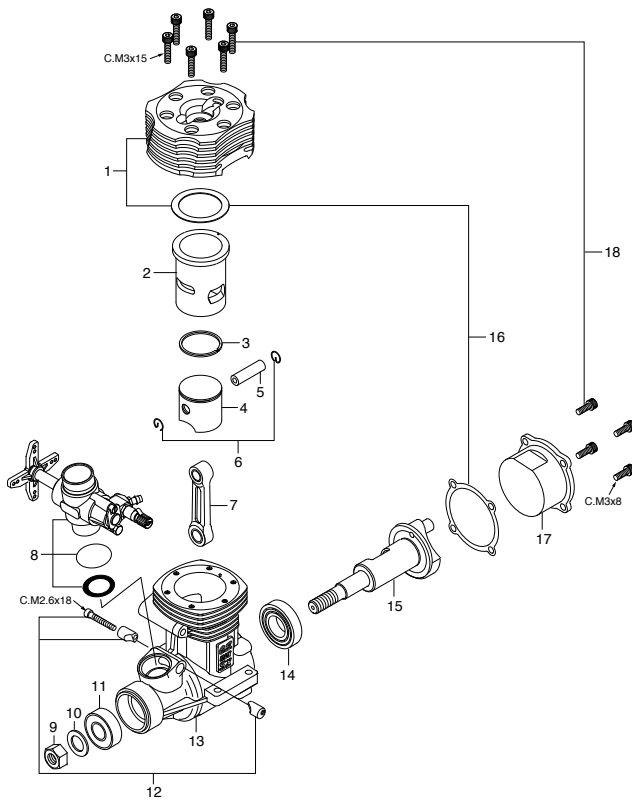
No.	Code No.	Description
1	29085140	Throttle Lever Assembly 40L 61B-P2
1-1	22826131	Throttle Lever Retaining Screw (2pcs.) No.4
2	23483200	Carburetor Rotor (20M) 37SZ-H
3	23483100	Carburetor Body (20M) 37SZ-H
4	45581820	Rotor Guide Screw 20C,60MC,70D
5	27081900	Needle Valve Assembly 20M,60K,60MC
5-1	27981910	Needle Assembly 20M,60B,60MC
5-2	24981837	"O" Ring (2pcs.)
5-3	46181940	Needle Valve Holder Assembly FT,FF
5-4	46181941	Needle Valve Holder FT,FF,FR,91FX
5-5	26711305	Ratchet Spring No.4
5-6	46181950	Fuel Inlet (w/Gasket) 20M,FT,FF,FR,91FX
6	21285600	Mixture Control Valve Assembly 10C,20M
6-1	46066319	"O" Ring (L) (2pcs.) P-3
6-2	22781800	"O" Ring (S) (2pcs.) 10D,10F,1H-3H,20E
7	22615000	Carburetor Rubber Gasket 2A-3A,20C,20D
8	23081706	Carburetor Retaining Screw (2pcs.) 25-46LA,49PI

## MAX-50SX-HRING Hyper

(15550)

## TYPE 60LH

(29083020)



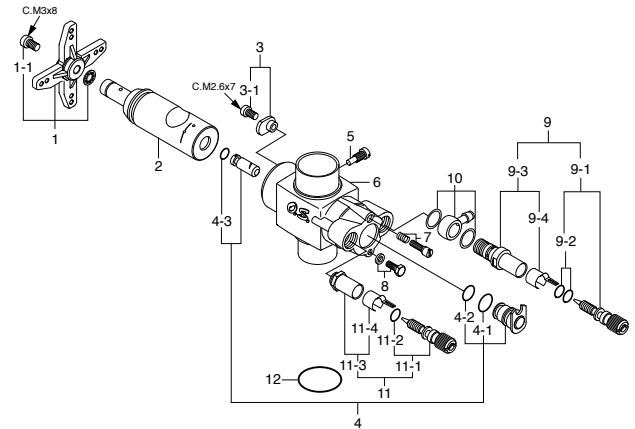
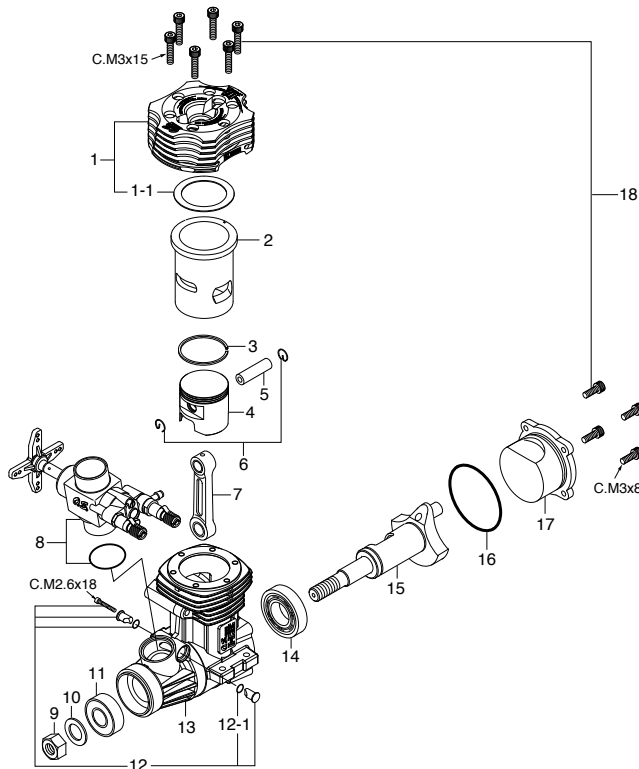
\* Type of screw

C...Cap Screw B...Binding Screw M...Oval Fillister-Head Screw

F...Flat Head Screw T...Tapping Screw N...Round Head Screw S...Set Screw

No.	Code No.	Description
1	25204200	Hyper Head (Blue) 50SX-H HYPER
2	25203100	Cylinder Liner 50SX-H,HG
3	25303400	Piston Ring 50SX-H,46FX-H,46SF
4	25203200	Piston 50SX-H,HG
5	25206000	Piston Pin 50SX-H,HG,55AX,BE
6	25217000	Piston Pin Retainer (2pcs.) 50SX-H,HG,55AX
7	25205000	Connecting Rod 50SX-H,HG,55AX,BE
8	29083020	Carburetor Complete (60LH) 50SX-H HYPER
9	23210007	Propeller Nut (1/4-28) 21-61
10	46120000	Thrust Washer 91FX,SX-H,SZ,FT160,FF
11	26731002	Crankshaft Bearing (Front) 40-61,70S,91S
12	23981700	Carburetor Retainer Assembly 21RG,RZ-B,XM,91SZ
13	25201000	Crankcase 50SX-H,HG
14	25830010	Crankshaft Bearing (Rear) 50SX-H,55AX,HZ
15	25202000	Crankshaft 50SX-H
16	25214000	Gasket Set 50SX-H,HG
17	25207001	Cover Plate 50SX-H,HG
18	25613000	Screw Set 50SX-H,40-46FX
	71608001	Glow Plug No.8

No.	Code No.	Description
1	29085140	Throttle Lever Assembly 40L 61B-P2
1-1	22826131	Throttle Lever Retaining Screw (2pcs.) No.4
2	29083200	Carburetor Rotor 60K,60LH,60L
3	29083600	Mixture Control Valve Assembly 60LH,60L
3-1	27881810	"O" Ring (L) (2pcs.) (S-7) C14,86,60MC
3-2	27881800	"O" Ring (S) (2pcs.) (S-6) C14,86,60MC
3-3	27881820	"O" Ring (L) (2pcs.) (S-3)
4	45581820	Rotor Guide Screw 20C,60MC,70D
5	29083110	Carburetor Body (60LH) 50SX-H HYPER
6	22681953	Fuel Inlet (No.1)
7	27881330	Mixture Control Screw 40E,60LH,60MC
8	27681340	Mixture Control Valve Stopper Assembly 60LH,40E
9	27981900	Needle Valve Assembly 60B,60MC,60K
9-1	27981910	Needle Assembly 20M,60B,60MC
9-2	24981837	"O" Ring (2pcs.)
9-3	27381940	Needle Valve Holder Assembly 20C,60U,70D,7H
9-4	26711305	Ratchet Spring No.4
10	29015019	Carburetor Rubber Gasket 20E,60F,60MC,70D
11	23818190	Carburetor Sealing Washer 20A,B,50SX-H



\* Type of screw

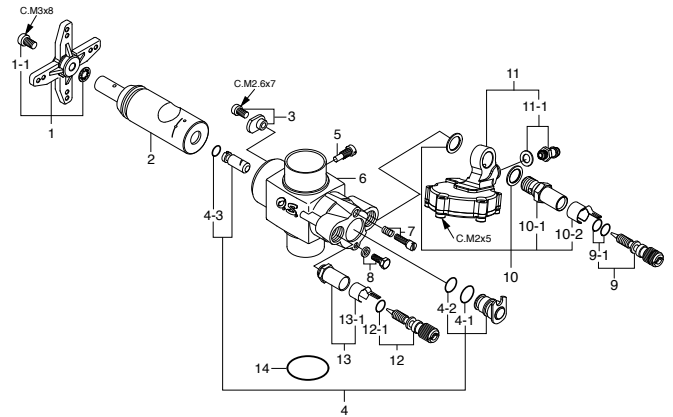
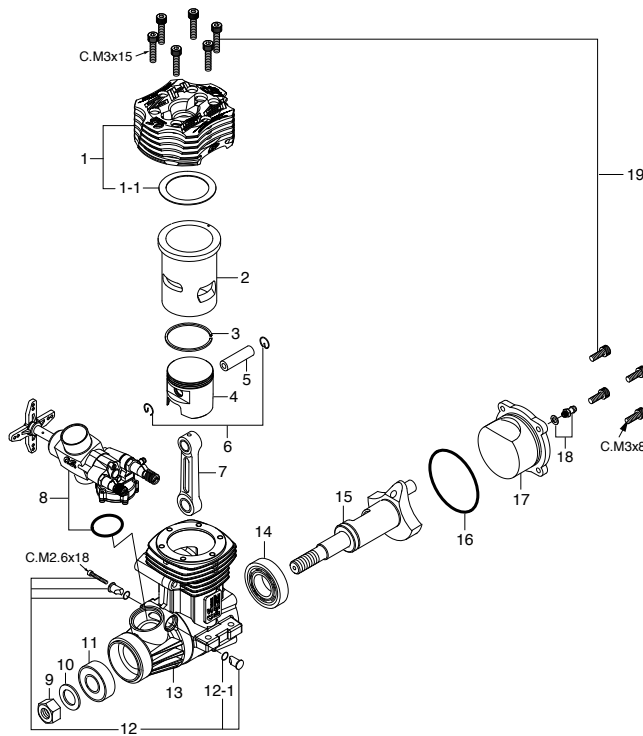
C...Cap Screw B...Binding Screw M...Oval Fillister-Head Screw  
F...Flat Head Screw T...Tapping Screw N...Round Head Screw S...Set Screw

#### CAP SCREW SETS (10pcs./sets)

Code No.	Size	Pcs. used in an engine
79871055	M2.6x18	Retainer Screw (1pc.)

No.	Code No.	Description
1	25804000	Heatsink Head 55HZ
1-1	25804160	Head Gasket (0.2mm) 55HZ
2	25803100	Cylinder Liner 55HZ
3	27703400	Piston Ring 55HZ,61SF,RF,HANNO2
4	25803200	Piston 55HZ
5	25806000	Piston Pin 55HZ
6	25217000	Piston Pin Retainer (2pcs.) 50SX-H,HG,55AX
7	25205000	Connecting Rod 50SX-H,HG,55AX,BE
8	25881000	Carburetor Complete (40L) 55HZ
9	23210007	Propeller Nut (1/4-28) 21-61
10	46120000	Thrust Washer 91FX,SX-H,SZ,FT160,FF
11	26731002	Crankshaft Ball Bearing (Front) 40-61,70S,91S
12	25881700	Carburetor Retainer Assembly (40L) 55HZ
12-1	45566310	"O" Ring (2pcs.) (S-5)
13	25801000	Crankcase 55HZ
14	25830010	Crankshaft Ball Bearing (Rear) 50SX-H,55AX,HZ
15	25802000	Crankshaft 55HZ
16	25804170	Cover Gasket (S-28) 55HZ
17	25807001	Cover Plate 55HZ
18	25613000	Screw Set 50SX-H,40-46FX
	71608001	Glow Plug No.8

No.	Code No.	Description
1	29085140	Throttle Lever Assembly (40L) 61B-P2
1-1	22826131	Throttle Lever Retaining Screw (2pcs.) No.4
2	25881200	Carburetor Rotor (40L) 55HZ
3	25881220	Rotor Guide Washer (40L) 55HZ
3-1	79871020	Rotor Guide Washer Retaining Screw (10pcs.)
4	29085510	Mixture Control Valve Assembly (61B) 91HZ
4-1	27881810	"O"Ring (L) (2pcs.) (S-7) C14,86,60MC
4-2	27881800	"O"Ring (S) (2pcs.) (S-6) C14,86,60MC
4-3	27881820	"O"Ring (2pcs.) (S-3)
5	45581820	Rotor Guide Screw 20C,60MC,70D
6	25881100	Carburetor Body (40L) 55HZ
7	27881330	Mixture Control Screw 40E,60LH,60MC
8	27681340	Mixture Control Valve Stopper 60LH,40E
9	29085900	Needle Valve Assembly (Main Needle) (61B) 91HZ
9-1	29085910	Needle Assembly (61B) 91HZ
9-2	24981837	"O"Ring (2pcs.)
9-3	29085940	Needle Valve Holder Assembly (61B) 91HZ
9-4	26711305	Ratchet Spring No.4
10	29085950	Fuel Inlet (61B) 91HZ
11	27981900	Needle Valve Assembly 60B,60MC,60K
11-1	27981910	Needle Assembly 20M,60B,60MC
11-2	24981837	"O"Ring (2pcs.)
11-3	27381940	Needle Valve Holder Assembly 20C,60U,70D,7H
11-4	26711305	Ratchet Spring No.4
12	29015019	Carburetor Rubber Gasket 20E,60F,60MC,70D



\* Type of screw

C...Cap Screw B...Binding Screw M...Oval Fillister-Head Screw  
F...Flat Head Screw T...Tapping Screw N...Round Head Screw S...Set Screw

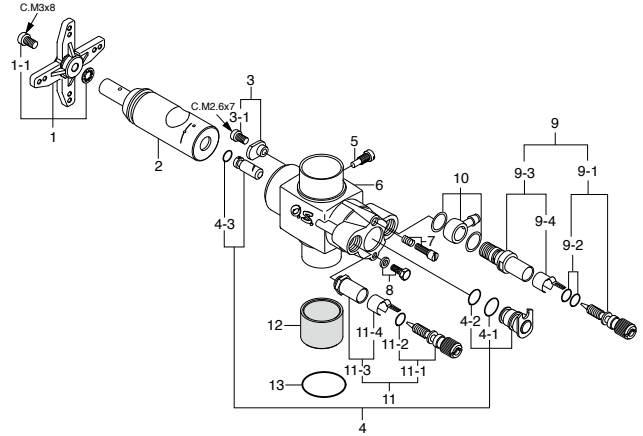
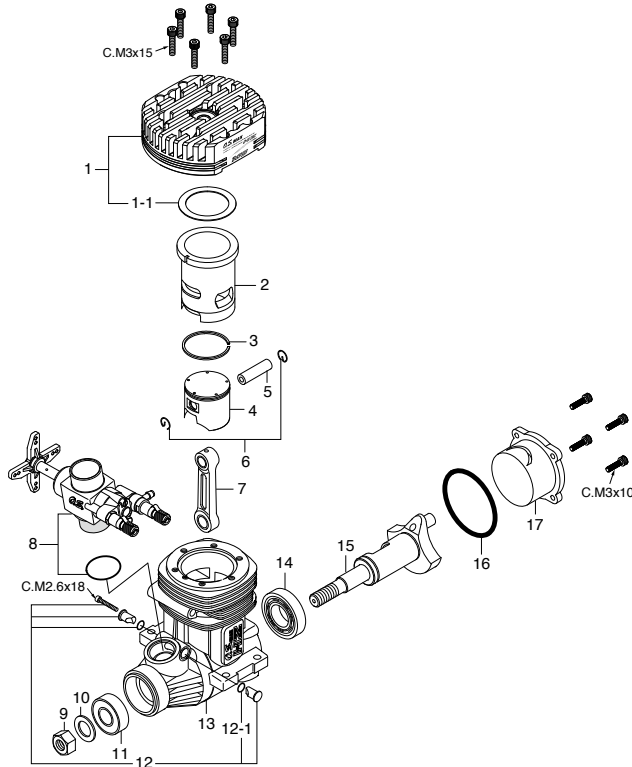
#### CAP SCREW SETS (10pcs./sets)

Code No.	Size	Pcs. used in an engine
79871020	M2.6x7	Rotor Guide Washer Retaining Screw (1pc.)
79871055	M2.6x18	Retainer Screw (1pc.)

No.	Code No.	Description
1	25804010	Heatsink Head 55HZ-R
1-1	25804160	Head Gasket 55HZ
2	25803100	Cylinder Liner 55HZ
3	27703400	Piston Ring 55HZ,61SF,RF,HANNO2
4	25803200	Piston 55HZ
5	25806000	Piston Pin 55HZ
6	25217000	Piston Pin Retainer (2pcs.) 50SX-H,HG,55AX
7	25205000	Connecting Rod 50SX-H,HG,55AX,BE
8	25881010	Carburetor Complete (40L-R) 55HZ-R
9	23210007	Propeller Nut (1/4-28) 21-61
10	46120000	Thrust Washer 91FX,SX-H,SZ,FT160,FF
11	26731002	Crankshaft Ball Bearing (Front) 40-61,70S,91S
12	25881700	Carburetor Retainer Assembly (40L) 55HZ
12-1	45566310	"O" Ring (2pcs.) (S-5)
13	25801000	Crankcase 55HZ
14	25830010	Crankshaft Ball Bearing (Rear) 50SX-H,55AX,HZ
15	25802000	Crankshaft 55HZ
16	25804170	Cover Gasket (S-28) 55HZ
17	25807010	Cover Plate 55HZ-R
18	22681953	Nipple (No.1)
19	25613000	Screw Set 50SX-H,40-46FX
	71608001	Glow Plug No.8
	72403070	Check Valve 91HZ-R,FS200S-FI

No.	Code No.	Description
1	29085140	Throttle Lever Assembly (40L) 61B-P2
1-1	22826131	Retaining Screw (10pcs.)
2	25881210	Carburetor Rotor (40L-R) 55HZ-R
3	25881220	Rotor Guide Washer (40L) 55HZ
4	29085510	Mixture Control Valve Assembly (61B) 91HZ
4-1	27881810	"O"Ring (L) (2pcs.) (S-7) C14,86,60MC
4-2	27881800	"O"Ring (S) (2pcs.) (S-6) C14,86,60MC
4-3	27881820	"O"Ring (L) (2pcs.) (S-3)
5	45581820	Rotor Guide Screw 20C,60MC,70D
6	25881100	Carburetor Body (40L) 55HZ
7	27881330	Mixture Control Screw 40E,60LH,60MC
8	27681340	Mixture Control Valve Stopper 60LH,40E
9	29085910	Needle Valve Assembly (Main Needle) (61B) 91HZ
9-1	24981837	"O"Ring (2pcs.)
10	29181940	Needle Valve Holder Assembly (60MP)
10-1	29181941	Needle Valve Holder (60MP) 91SZ-PS
10-2	26711305	Ratchet Spring No.4
11	29088800	Regulator Assembly 61E-R
11-1	22681953	Fuel Inlet (Nipple No.1)
12	27981910	Needle Valve Assembly 20M,60B,60MC
12-1	24981837	"O"Ring (2pcs.)
13	27381940	Needle Valve Holder Assembly 20C,60U,70D,7H
13-1	26711305	Ratchet Spring No.4
14	29015019	Carburetor Rubber Gasket 20E,60F,60MC,70D





\*Type of screw

C...Cap Screw B...Binding Screw M...Oval Fillister-Head Screw

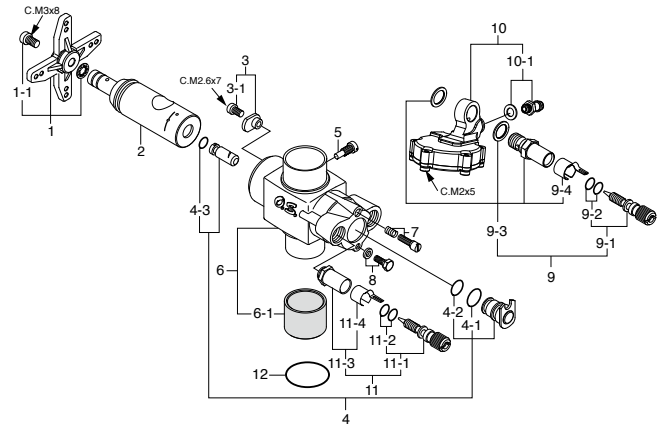
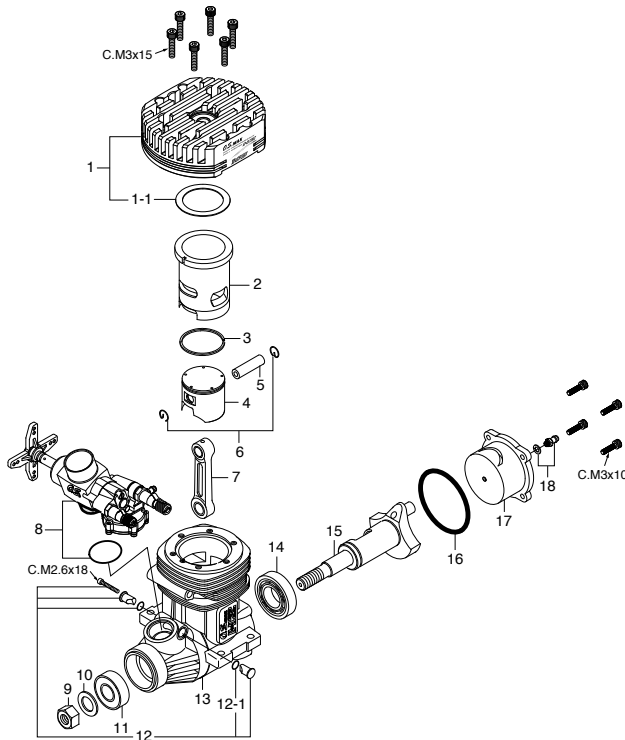
F...Flat Head Screw T...Tapping Screw N...Round Head Screw S...Set Screw

### CAP SCREW SETS (10pcs./sets)

Code No.	Size	Pcs. used in an engine
79871055	M2.6x18	Retainer Screw (1pc.)
79871120	M3x10	Cover Plate Retaining Screw (4pcs.)
79871150	M3x15	Cylinder Head Retaining Screw (6pcs.)

No.	Code No.	Description
1	28704000	Heatsink Head 105HZ
1-1	28704160	Head Gasket (0.2mm) 105HZ
2	28703100	Cylinder Liner 105HZ
3	29203400	Piston Ring 108FSR,105HZ
4	28703200	Piston 105HZ
5	26606008	Piston Pin 91HZ,61SX-H,61FSR
6	27917000	Piston Pin Retainer (2pcs.) 91FX,91SZ,91SX-H
7	29505010	Connecting Rod 91RZ-H,91SX-H C-SPEC
8	29088010	Carburetor Complete (61E) 91,105HZ
9	45010002	Propeller Nut (5/16-24) 61-91
10	46120000	Thrust Washer 91FX,SX-H,SZ,FT160,FF
11	26731002	Crankshaft Ball Bearing (Front) 40-61,70S,91S
12	29081720	Carburetor Retainer Assembly (61B) 91HZ
12-1	45566310	"O" Ring (S-5)
13	28701000	Crankcase 105HZ
14	27930000	Crankshaft Ball Bearing (Rear) 91SX,SZ,61SX-H
15	28702000	Crankshaft 105HZ
16	29061410	Cover Gasket FS200S,91SZ,GF30
17	28707000	Cover Plate 105HZ
	71608001	Glow Plug No.8
	28704160	Head Gasket (0.2mm) 105HZ
	28704161	Head Gasket (0.1mm) 105HZ
	28712000	Velocity Stack 105HZ
	26381501	Set Screw M3x3

No.	Code No.	Description
1	29085140	Throttle Lever Assembly (40L) 61B-P2
1-1	79871110	Retaining Screw (10pcs.)
2	29088210	Carburetor Rotor (61E) 91HZ
3	25881220	Rotor Guide Washer (40L) 55HZ
3-1	79871020	Retaining Screw (10pcs.)
4	29085510	Mixture Control Valve Assembly (61B) 91HZ
4-1	27881810	"O"Ring (L) (2pcs.) (S-7) C14,86,60MC
4-2	27881800	"O"Ring (S) (2pcs.) (S-6) C14,86,60MC
4-3	27881820	"O"Ring (L) (2pcs.) (S-3)
5	45581820	Rotor Guide Screw 20C,60MC,70D
6	29088100	Carburetor Body (61E) 91HZ,HZ-R
7	27881330	Mixture Control Screw 40E,60LH,60MC
8	27681340	Mixture Control Valve Stopper 60LH,40E
9	29085900	Needle Valve Assembly (Main Needle) (61B) 91HZ
9-1	29085910	Needle Assembly (61B) 91HZ
9-2	24981837	"O"Ring (2pcs.)
9-3	29085940	Needle Valve Holder Assembly (61B) 91HZ
9-4	26711305	Ratchet Spring No.4
10	29085950	Fuel Inlet (Nipple No.1) (61B) 91HZ
11	27981900	Needle Valve Assembly 60B,60MC,60K
11-1	27981910	Needle Assembly 20M,60B,60MC
11-2	24981837	"O"Ring (2pcs.)
11-3	27381940	Needle Valve Holder Assembly 20C,60U,70D,7H
11-4	26711305	Ratchet Spring No.4
12	27984900	Thermo Insulator 60B,61B
13	27915000	Carburetor Rubber Gasket (S-18) 60K,60B



\*Type of screw

C...Cap Screw B...Binding Screw M...Oval Fillister-Head Screw  
F...Flat Head Screw T...Tapping Screw N...Round Head Screw S...Set Screw

#### CAP SCREW SETS (10pcs./sets)

Code No.	Size	Pcs. used in an engine
79871055	M2.6x18	Retainer Screw (1pc.)
79871120	M3x10	Cover Plate Retaining Screw (4pcs.)
79871150	M3x15	Cylinder Head Retaining Screw (6pcs.)

No.	Code No.	Description
1	28704000	Heatsink Head 105HZ
1-1	28704160	Head Gasket (0.2mm) 105HZ
2	28703100	Cylinder Liner 105HZ
3	29203400	Piston Ring 108FSR,105HZ
4	28703200	Piston 105HZ
5	26606008	Piston Pin 91HZ,61SX-H,61FSR
6	27917000	Piston Pin Retainer (2pcs.) 91FX,91SZ,91SX-H
7	29505010	Connecting Rod 91RZ-H,91SX-H C-SPEC
8	29088040	Carburetor Complete (61G) OSSP91HZR 3D
9	45010002	Propeller Nut (5/16-24) 61-91
10	46120000	Thrust Washer 91FX,SX-H,SZ,FT160,FF
11	26731002	Crankshaft Ball Bearing (Front) 40-61,70S,91S
12	29081720	Carburetor Retainer Assembly (61B) 91HZ
12-1	45566310	"O" Ring (S-5)
13	28701000	Crankcase 105HZ
14	27930000	Crankshaft Ball Bearing (Rear) 91SX,SZ,61SX-H
15	28702000	Crankshaft 105HZ
16	29061410	Cover Gasket FS200S,91SZ,GF30
17	28707010	Cover Plate 105HZ-R
18	22681953	Nipple (No.1)
	71608001	Glow Plug No.8
	72403070	Check Valve 91HZ-R,FS200S-FI
	28704160	Head Gasket (0.2mm) 105HZ
	28704161	Head Gasket (0.1mm) 105HZ
	28712000	Velocity Stack 105HZ
	26381501	Set Screw M3x3

No.	Code No.	Description
1	29085140	Throttle Lever Assembly (40L) 61B-P2
1-1	79871110	Retaining Screw (10pcs.)
2	29088250	Carburetor Rotor (61G) OSSP91HZR 3D
3	25881220	Rotor Guide Washer (40L) 55HZ
3-1	79871020	Retaining Screw (10pcs.)
4	29088320	Mixture Control Valve Assembly 61F,61G
4-1	27881810	"O"Ring (L) (2pcs.) (S-7) C14,86,60MC
4-2	27881800	"O"Ring (S) (2pcs.) (S-6) C14,86,60MC
4-3	27881820	"O"Ring (L) (2pcs.) (S-3)
5	45581820	Rotor Guide Screw 20C,60MC,70D
6	29088140	Carburetor Body (61G) OSSP91HZR 3D
6-1	27984900	Thermo Insulator 60B,61B
7	27881330	Mixture Control Screw 40E,60LH,60MC
8	27681340	Mixture Control Valve Stopper 60LH,40E
9	29181900	Needle Valve Assembly (Main Needle) (60MP) 91SZ-PS
9-1	29085910	Needle Assembly (61B) 91HZ
9-2	24981837	"O"Ring (2pcs.)
9-3	29181940	Needle Valve Holder Assembly (60MP)
9-4	26711305	Ratchet Spring No.4
10	29088800	Reguretor Assembly 61E-R
10-1	22681953	Fuel Inlet (Nipple No.1)
11	29088980	Needle Valve Assembly (61E) 91HZ
11-1	29085910	Needle Assembly (61B) 91HZ
11-2	24981837	"O"Ring (2pcs.)
11-3	27381940	Needle Valve Holder Assembly 20C,60U,70D,7H
11-4	26711305	Ratchet Spring No.4
12	27915000	Carburetor Rubber Gasket (S-18) 60K,60B

***EXPLODED VIEWS  
WITH CODE NUMBERS LIST***

**O.S. SPEED  
Factory Tuned  
Engines**



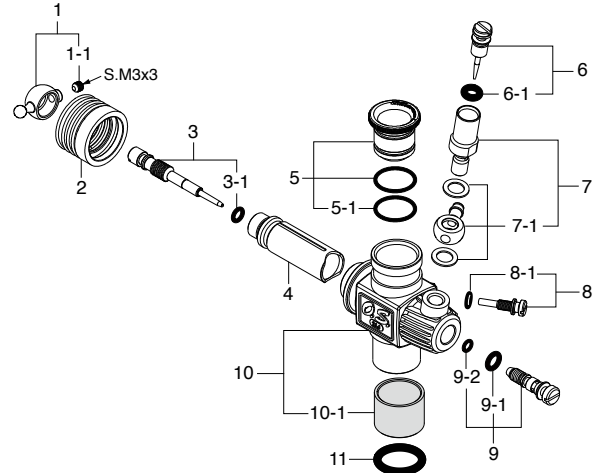
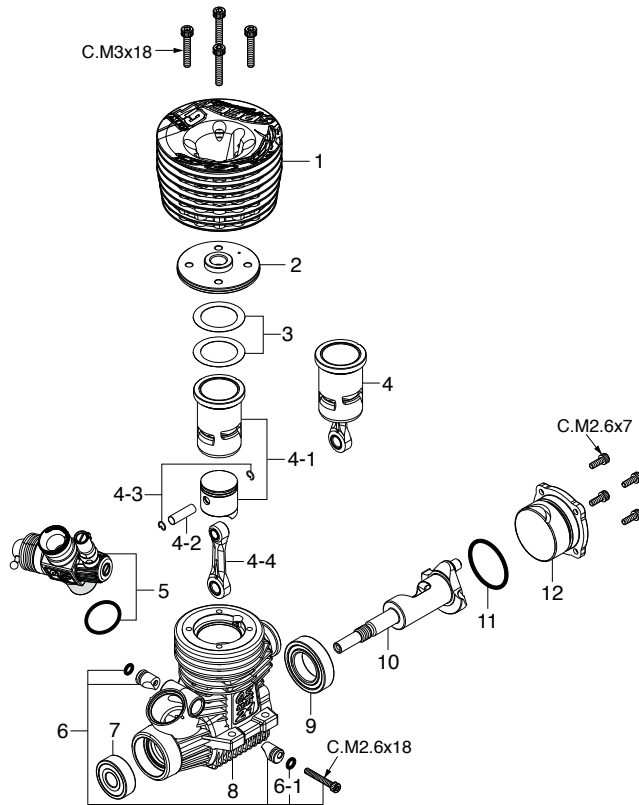


# O.S. SPEED 21XZ-GT

(1AS00)

## TYPE 21J3(B)R7

(2AN81001)



\* Type of screw

C...Cap Screw B...Binding Screw M...Oval Fillister-Head Screw  
F...Flat Head Screw T...Tapping Screw N...Round Head Screw S...Set Screw

### CAP SCREW SETS (10pcs./set)

Code No.	Size	Pcs. used in an engine
79871020	M2.6x7	Cover Plate Retaining Screw (4pcs.)
79871055	M2.6x18	Carburetor Retainer Retaining Screw (1pc.)
79871180	M3x18	Cylinder Head Retaining Screw (4pcs.)

No.	Code No.	Description
* 1	2AS04000	Outer Head OSSPEED 21XZ-GT
* 2	2AS04100	Inner Head OSSPEED 21XZ-GT
3	22014162	Head Gasket Set (0.1mm,0.2mm) 21-B01
* 4	2AS03010	Built-up Parts Set (C&P) OSSPEED 21XZ-GT
* 4-1	2AS03000	Cylinder & Piston Assembly OSSPEED 21XZ-GT
4-2	22016000	Piston Pin 21XZ-R
4-3	2AP17000	Piston Pin Retainer 2 (6pcs.)
4-4	23755024	Connecting Rod w/piston pin retainers (3pcs.)
* 5	2AN81001	Carburetor Complete (Type 21J3(B) R7)
6	23981740	Carburetor Retainer Assembly 21E,21H,21J
6-1	24881824	"O" Ring (2pcs.) (7B)
7	23731000	Crankshaft Ball Bearing (Front) 21VZ,VG,30VG,28
* 8	2AS01000	Crankcase OSSPEED 21XZ-GT
9	23730050	Ceramic Ball Bearing (Rear) OSSPEED 21V
* 10	2AS02000	Crankshaft OSSPEED 21XZ-GT
11	23764020	Cover Gasket (S-22) 30VG,21VZ,VG
12	22427100	Cover Plate OSSPEED 21XZ-B Spec.2
	71641300	Glow Plug P3
	22826145	Exhaust Seal Ring 21 (10pcs.)
	22884254	Dust Cap Set 12-30 (3mmx2,16mmx2,18mmx1)

\* marked parts are available only for limited period  
(one year after finishing the production).

No.	Code No.	Description
1	23781400	Ball Link No.3
1-1	26381501	Retaining Screw
2	23981520	Dust Cover (21,30VG) 21E,21F,21J
3	23818340	Metering Needle Assembly 21C,21J
3-1	27881820	"O" Ring (2pcs.) (S-3)
4	22848210	Slide Valve 21J
5	71533270	Carburetor Reducer 7mm (Red) ALUMINUM
5-1	22615000	"O" Ring 2A-3A,20C,20D
6	23618197	Needle Assembly 21C,21E,21F,20E,21J
6-1	46066319	"O" Ring (L) (2pcs.) P-3
7	22082940	Needle Holder Assembly (21M) 21XZ-R
7-1	22082950	Fuel Inlet (No.15)
8	22848160	Throttle Stop Screw (21J)
8-1	27881820	"O" Ring (2pcs.) (S-3)
9	22082600	Mixture Control Valve Assembly (21M) 21XZ-R
9-1	46066319	"O" Ring (L) (2pcs.) P-3
9-2	22781800	"O" Ring (S) (2pcs.) 10D,10F,1H-3H,20E
* 10	2AN81100	Carburetor Body 21J3(B) (w/Thermo Insulator)
* 10-1	2AN81101	Thermo Insulator 21J3
11	29015019	Carburetor Rubber Gasket 20E,60F,60MC,70D

\* marked parts are available only for limited period  
(one year after finishing the production).

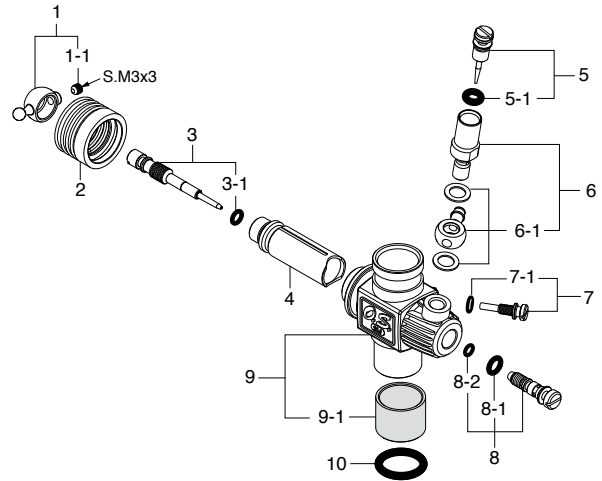
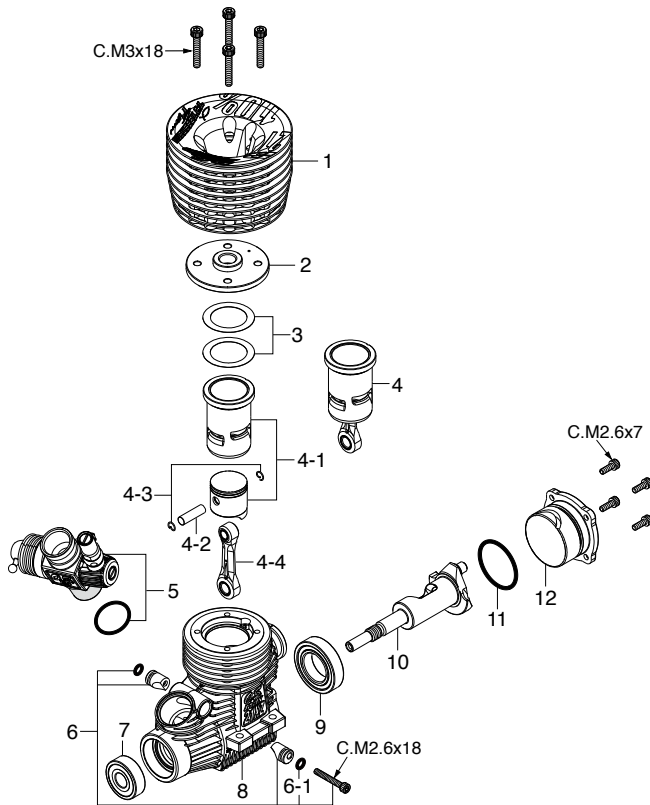


# O.S. SPEED 21XZ-B TY110%

(1217D)

## TYPE 21J3(B)

(2AN81002)



\* Type of screw

C...Cap Screw B...Binding Screw M...Oval Fillister-Head Screw  
F...Flat Head Screw T...Tapping Screw N...Round Head Screw S...Set Screw

### CAP SCREW SETS (10pcs./set)

Code No.	Size	Pcs. used in an engine
79871020	M2.6x7	Cover Plate Retaining Screw (4pcs.)
79871055	M2.6x18	Carburetor Retainer Retaining Screw (1pc.)
79871180	M3x18	Cylinder Head Retaining Screw (4pcs.)

No.	Code No.	Description
1	2A204000	Outer Head OSSPEED B2101
2	22424104	Inner Head OSSPEED 21XZ-B Spec.2
3	22014162	Head Gasket Set (0.1mm,0.2mm) 21XZ
4	22423110	Built-up Parts Set OSSPEED 21XZ-B Spec.2
4-1	22423100	Cylinder & Piston Assembly OSSPEED 21XZ-B Spec.2
4-2	22016000	Piston Pin 21XZ-R
4-3	21817010	Piston Pin Retainer 4mm (6pcs.)
4-4	22425003	Connecting Rod w/piston pin retainers (3pcs.) OSSP B2102,21XZ-B SP3
5	2AN81002	Carburetor Complete (Type 21J3(B))
6	23981740	Carburetor Retainer Assembly 21E,21H,21J
6-1	24881824	"O" Ring (2pcs.) (7B)
7	23731020	Crankshaft Ball Bearing (Front) 21XZ-B
8	22421050	Crankcase OSSPEED 21XZ-B Spec.2
9	23730050	Ceramic Ball Bearing (Rear) OSSPEED 21V
10	22422030	Crankshaft OSSPEED 21XZ-B Spec.2
11	23107100	Cover Gasket (S-22) 21XZ,30VG,35AX
12	22427100	Cover Plate OSSPEED 21XZ-B Spec.2
	71641300	Glow Plug P3
	22826145	Exhaust Seal Ring 21 (10pcs.)
	71533270	Carburetor Reducer 7mm (RED) w/ "O" Ring (2pcs.) AL
	22615000	"O" Ring (1pc.) 2A-3A,20C,20D
	22884254	Dust Cap Set 12-30 (3mmx2,16mmx2,18mmx1)

No.	Code No.	Description
1	23781400	Ball Link No.3
1-1	26381501	Retaining Screw
2	23981520	Dust Cover (21,30VG) 21E,21F,21J
3	23818340	Metering Needle Assembly 21C,21J
3-1	27881820	"O" Ring (2pcs.) (S-3)
4	22848210	Slide Valve 21J
5	23618197	Needle Assembly 21C,21E,21F,20E,21J
5-1	46066319	"O" Ring L (2pcs.) P-3
6	22082940	Needle Holder Assembly (21M) 21XZ-R
6-1	22082950	Fuel Inlet (No.15)
7	22848160	Throttle Stop Screw (21J)
7-1	27881820	"O" Ring (2pcs.) (S-3)
8	22082600	Mixture Control Valve Assembly (21M) 21XZ-R
8-1	46066319	"O" Ring (L) (2pcs.) P-3
8-2	22781800	"O" Ring (S) (2pcs.) 10D,10F,1H-3H,20E
9	2AN81100	Carburetor Body 21J3(B) (w/Thermo Insulator)
9-1	2AN81101	Thermo Insulator 21J3
10	29015019	Carburetor Rubber Gasket (2pcs.) 20E,60F,60MC,70D

This engine is the limited edition. All the special parts assembled in the engine are not available as spare parts. Use standard parts when you replace them.

The following are special parts for the limited edition.

- Outer head with special engraving
- Crankshaft with special engraving
- 7mm carburetor restrictor
- Crankcase with special engraving

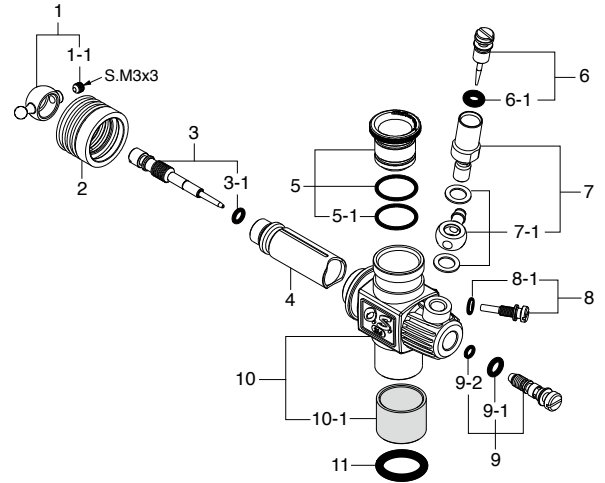
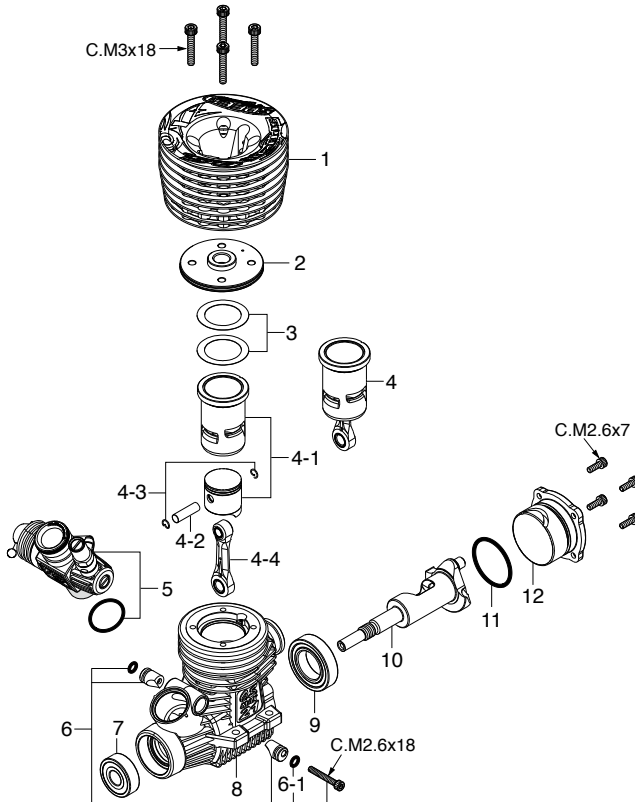


# O.S. SPEED 21XZ-B Spec.III

Discontinued (1AN00)

## TYPE 21J3(B)R6.5

(2AN81000)



\* Type of screw

C...Cap Screw B...Binding Screw M...Oval Fillister-Head Screw  
F...Flat Head Screw T...Tapping Screw N...Round Head Screw S...Set Screw

### CAP SCREW SETS (10pcs./set)

Code No.	Size	Pcs. used in an engine
79871020	M2.6x7	Cover Plate Retaining Screw (4pcs.)
79871055	M2.6x18	Carburetor Retainer Retaining Screw (1pc.)
79871180	M3x18	Cylinder Head Retaining Screw (4pcs.)

No.	Code No.	Description
* 1	2AN04000	Outer Head OSSPEED 21XZ-B Spec.3
* 2	2AN04100	Inner Head OSSPEED 21XZ-B Spec.3
3	22014162	Head Gasket Set (0.1mm,0.2mm) 21-B01
* 4	2AN03010	Built-up Parts Set (C&P) OSSPEED 21XZ-B Spec.3
* 4-1	2AN03000	Cylinder & Piston Assembly OSSPEED 21XZ-B Spec.3
4-2	22016000	Piston Pin 21XZ-R
4-3	21817010	Piston Pin Retainer 4mm (6pcs.)
4-4	22425003	Connecting Rod w/piston pin retainers (3pcs.)
* 5	2AN81000	Carburetor Complete (Type 21J3(B) R6.5)
6	23981740	Carburetor Retainer Assembly 21E,21H,21J
6-1	24881824	"O" Ring (2pcs.) (7B)
7	23731020	Crankshaft Ball Bearing (Front) 21XZ-B
* 8	2AN01000	Crankcase OSSPEED 21XZ-B Spec.3
9	23730050	Ceramic Ball Bearing (Rear) OSSPEED 21V
10	22422030	Crankshaft OSSPEED 21XZ-B Spec.2
11	23764020	Cover Gasket (S-22) 30VG,21VZ,VG
12	22427100	Cover Plate OSSPEED 21XZ-B Spec.2
	71641300	Glow Plug P3
	22826145	Exhaust Seal Ring 21 (10pcs.)
	71533260	Carburetor Reducer 6mm (RED) w/ "O" Ring (2pcs.) OSSP 21
	22615000	"O" Ring (1pc.) 2A-3A,20C,20D
	22884254	Dust Cap Set 12-30 (3mmx2,16mmx2,18mmx1)

\* marked parts are available only for limited period (one year after finishing the production).

No.	Code No.	Description
1	23781400	Ball Link No.3
1-1	26381501	Retaining Screw
2	23981520	Dust Cover (21,30VG) 21E,21F,21J
3	23818340	Metering Needle Assembly 21C,21J
3-1	27881820	"O" Ring (2pcs.) (S-3)
4	22848210	Slide Valve 21J
5	71533265	Carburetor Reducer 6.5mm (Red) OSSPEED 21
5-1	22615000	"O" Ring 2A-3A,20C,20D
6	23618197	Needle Assembly 21C,21E,21F,20E,21J
6-1	46066319	"O" Ring (L) (2pcs.) P-3
7	22082940	Needle Holder Assembly (21M) 21XZ-R
7-1	22082950	Fuel Inlet (No.15)
8	22848160	Throttle Stop Screw (21J)
8-1	27881820	"O" Ring (2pcs.) (S-3)
9	22082600	Mixture Control Valve Assembly (21M) 21XZ-R
9-1	46066319	"O" Ring (L) (2pcs.) P-3
9-2	22781800	"O" Ring (S) (2pcs.) 10D,10F,1H-3H,20E
* 10	2AN81100	Carburetor Body 21J3(B) (w/Thermo Insulator)
* 10-1	2AN81101	Thermo Insulator 21J3
11	29015019	Carburetor Rubber Gasket 20E,60F,60MC,70D

\* marked parts are available only for limited period (one year after finishing the production).

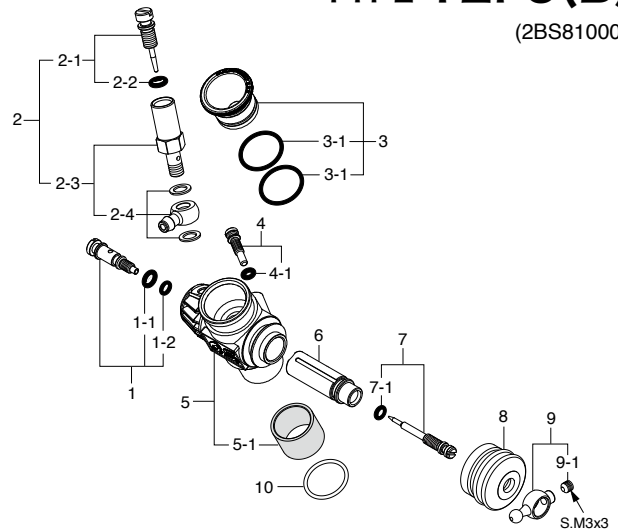
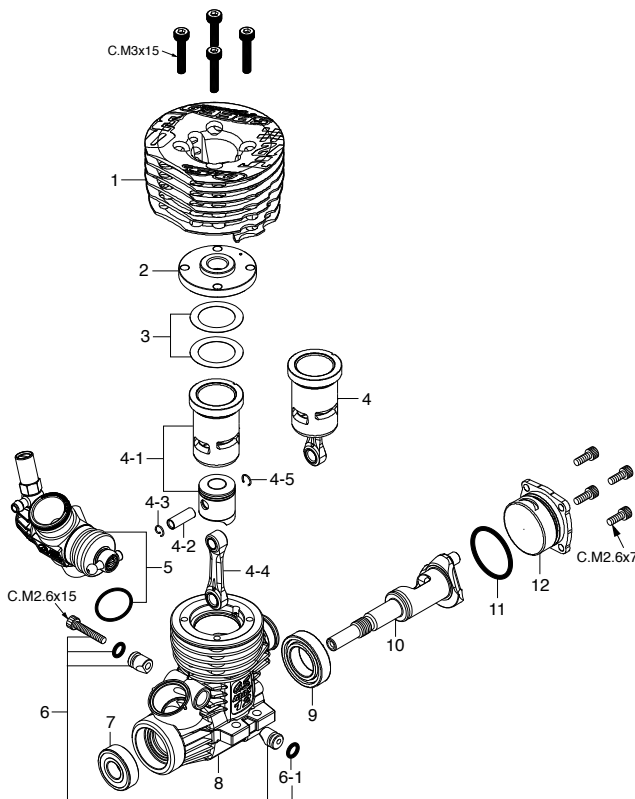


# O.S. SPEED T1203

(1BS00)

## TYPE 12F5(B)

(2BS81000)



\* Type of screw

C...Cap Screw B...Binding Screw M...Oval Fillister-Head Screw  
F...Flat Head Screw T...Tapping Screw N...Round Head Screw S...Set Screw

### CAP SCREW SETS (10pcs./set)

Code No.	Size	Pcs. used in an engine
79871020	M2.6x7	Cover Plate Retaining Screw (4pcs.)
79871050	M2.6x15	Carburetor Retainer Retaining Screw (1pc.)
79871150	M3x15	Cylinder Head Retaining Screw (4pcs.)

No.	Code No.	Description
* 1	2BS04000	Outer Head T1203
2	2AP04100	Inner Head T1202
3	2A404160	Head Gasket Set (0.1mm, 0.15mm) T1201
* 4	2BS03010	Built-Up Parts Set (C&P) OSSP T1203
* 4-1	2BS03000	Cylinder & Piston Assembly OSSP T1203
4-2	21656000	Piston Pin 12XZ
4-3	2AP17000	Piston Pin Retainer 2 (6pcs.)
4-4	2A405001	Connecting Rod (w/piston pin retainers 2 3pcs.) OSSP T1201
4-5	23817000	Piston Pin Retainer (2pcs.) 21V-SPEC,RZ,XM
* 5	2BS81000	Carburetor Complete (Type 12F5(B))
6	21538170	Carburetor Retainer Assembly OSSP 12TZ SPEC2
6-1	24881824	"O" Ring (2pcs.) (7B) (20G)
7	21630500	Ball Bearing (F) 12
* 8	2BS01000	Crankcase OSSPEED T1203
9	21931100	Ceramic Bearing (R) OSSP 12TZ SPEC2
10	2AP02000	Crankshaft OSSPEED T1202
11	21921800	"O" Ring (1pc.) (S-16)
* 12	2BS07000	Cover Plate OSSPEED T1203
	71642060	Glow Plug RP6
	21427200	Exhaust Seal Ring (2pcs.) 12TG,TZ
	22884254	Dust Cap Set 12-30 (3mmx2,16mmx2,18mmx1)

Items marked \* are available for only limited time.  
(One year after discontinuing the production)

No.	Code No.	Description
1	21682600	Mixture Control Valve Assembly 12F2
1-1	27881820	"O" Ring (L) (2pcs.) (S-3)
1-2	22781800	"O" Ring (S) (2pcs.) 10D,10F,1H-3H,20E
2	2AP11000	Needle Valve Assembly 12F2-B
2-1	21538900	Needle 12F,11H,11K,12D
2-2	27881820	"O" Ring (2pcs.) (S-3)
2-3	21682940	Needle Holder (12F-B) 12XZ
2-4	2AP81950	No.21 Universal Nipple Assembly
3	71533455	Carburetor Reducer (5.5mm Red) AL2 OSSPEED 12
3-1	22615000	"O" Ring (1pc.) 2A-3A,20C,20D
4	21982620	Throttle Stop Screw 12D,11H,11K
4-1	22781800	"O" Ring (S) (2pcs.) 10D,10F,1H-3H,20E
* 5	2BS81100	Carburetor Body (w/Thermo Insulator) (12F3-B)
5-1	21982900	Thermo Insulator 11H,11K,11L
6	2A481200	Slide Valve (12F3) OSSP T1201
7	21682510	Metering Needle Assembly (12F2)
7-1	22781800	"O" Ring (S) (2pcs.) 10D,10F,1H-3H,20E
8	21982520	Dust Cover 12D,11H,11K
9	23818430	Ball Link No.5
9-1	26381501	Set Screw
10	22615000	Carburetor Rubber Gasket 2A-3A,20C,20D

Items marked \* are available for only limited time.  
(One year after discontinuing the production)

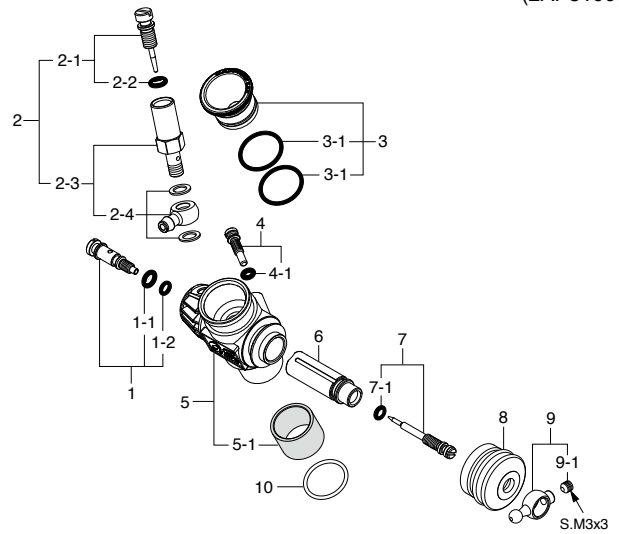
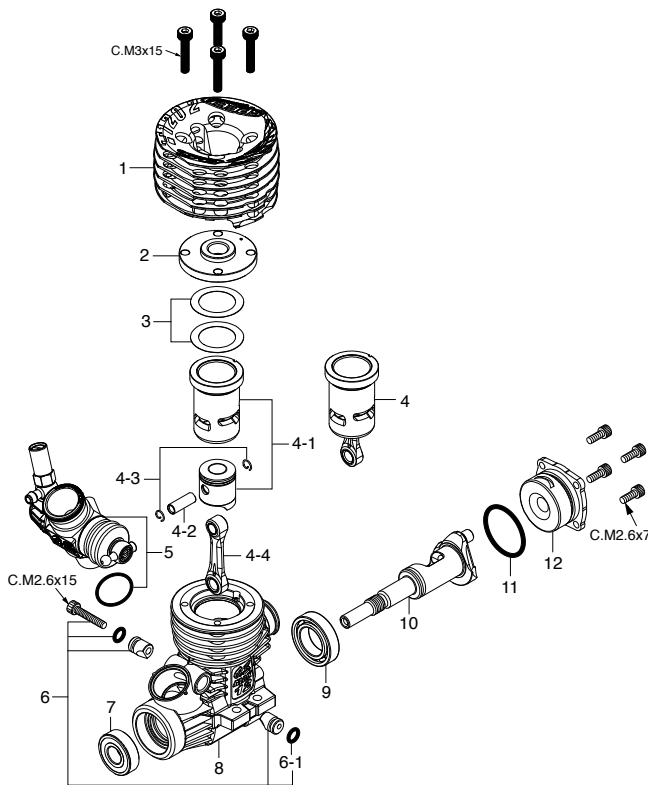


# O.S. SPEED T1202

Discontinued (1AP00)

## TYPE 12F4(B)

(2AP81000)



\* Type of screw

C...Cap Screw B...Binding Screw M...Oval Fillister-Head Screw  
F...Flat Head Screw T...Tapping Screw N...Round Head Screw S...Set Screw

### CAP SCREW SETS (10pcs./set)

Code No.	Size	Pcs. used in an engine
79871020	M2.6x7	Cover Plate Retaining Screw (4pcs.)
79871050	M2.6x15	Carburetor Retainer Retaining Screw (1pc.)
79871150	M3x15	Cylinder Head Retaining Screw (4pcs.)

No.	Code No.	Description
* 1	2AP04000	Outer Head OSSPEED T1202
* 2	2AP04100	Inner Head OSSPEED T1202
3	2A404160	Head Gasket Set (0.1mm, 0.15mm) T1201
* 4	2AP03010	Built-Up Parts Set OSSPEED T1202
* 4-1	2AP03000	Cylinder & Piston Assembly OSSPEED T1202
4-2	21656000	Piston Pin 12XZ
* 4-3	2AP17000	Piston Pin Retainer 2 (6pcs.)
* 4-4	2A405001	Connecting Rod (w/piston pin retainers 3pcs.)
* 5	2AP81000	Carburetor Complete (Type 12F4(B))
6	21538170	Carburetor Retainer Assembly OSSPEED 12TZ SPEC2
6-1	24881824	"O" Ring (2pcs.) (7B)
7	21630500	Ball Bearing (F) 12
8	2A401000	Crankcase OSSPEED T1201
9	21931100	Ceramic Bearing (R) OSSPEED 12TZ SPEC2
* 10	2AP02000	Crankshaft OSSPEED T1202
11	21921800	"O" Ring (1pc.) (S-16)
12	2A407000	Cover Plate OSSPEED T1201
	71642060	Glow Plug RP6
	21427200	Exhaust Seal Ring (2pcs.) 12TG,TZ
	22884254	Dust Cap Set 12-30 (3mmx2,16mmx2,18mmx1)

Items marked \* are available for only limited time.  
(One year after discontinuing the production)

No.	Code No.	Description
1	21682600	Mixture Control Valve Assembly 12F2
1-1	27881820	"O" Ring (L) (2pcs.) (S-3)
1-2	22781800	"O" Ring (S) (2pcs.) 10D,10F,1H-3H,20E
* 2	2AP11000	Needle Valve Assembly 12F2-B
2-1	21538900	Needle 12F,11H,11K,12D
2-2	27881820	"O" Ring (2pcs.) (S-3)
2-3	21682940	Needle Holder (12F-B) 12XZ
* 2-4	2AP81950	No.21 Universal Nipple Assembly
* 3	71533455	Carburetor Reducer (5.5mm Red) AL2 OSSPEED 12
3-1	22615000	"O" Ring (1pc.) 2A-3A,20C,20D
4	21982620	Throttle Stop Screw 12D,11H,11K
4-1	22781800	"O" Ring (S) (2pcs.) 10D,10F,1H-3H,20E
* 5	2AP81100	Carburetor Body (w/Thermo Insulator) (12F2-B)
5-1	21982900	Thermo Insulator 11H,11K,11L
6	2A481200	Slide Valve (12F3) OSSPEED T1201
7	21682510	Metering Needle Assembly (12F2)
7-1	22781800	"O" Ring (S) (2pcs.) 10D,10F,1H-3H,20E
8	21982520	Dust Cover 12D,11H,11K
9	23818430	Ball Link No.5
9-1	26381501	Set Screw (1pc.)
10	22615000	Carburetor Rubber Gasket 2A-3A,20C,20D

Items marked \* are available for only limited time.  
(One year after discontinuing the production)



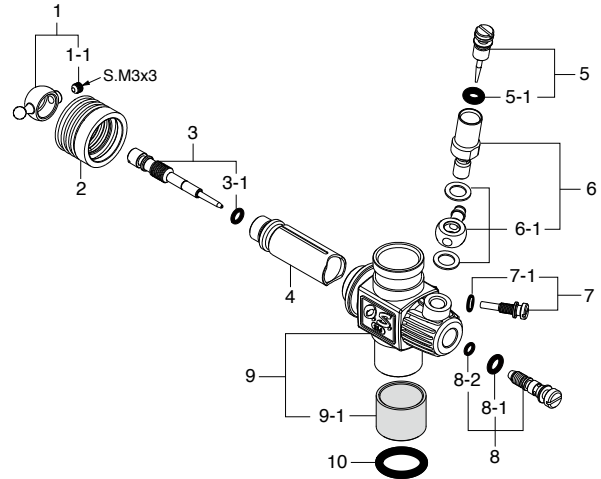
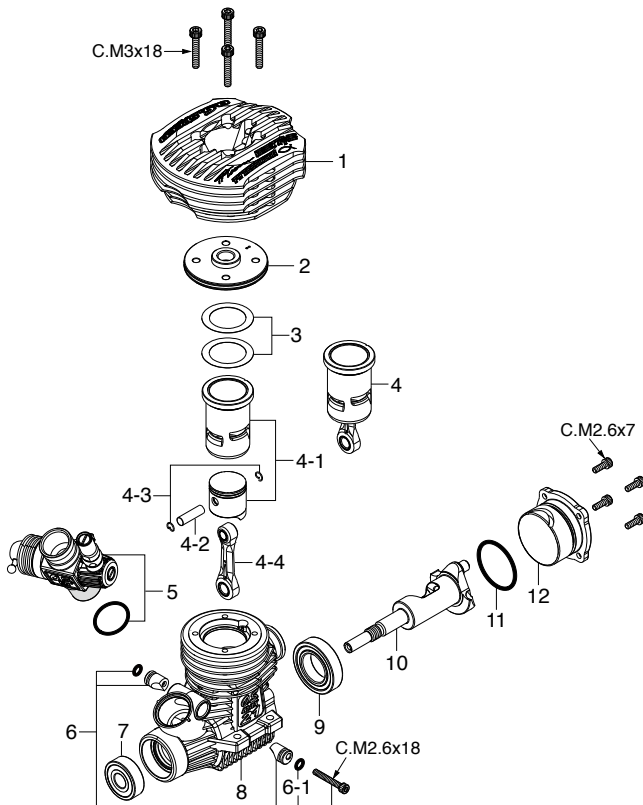


# O.S. SPEED B21 TY2

(1A209)

## TYPE 21J3(B)

(2AN81002)



\*Type of screw

C...Cap Screw B...Binding Screw M...Oval Fillister-Head Screw  
F...Flat Head Screw T...Tapping Screw N...Round Head Screw S...Set Screw

### CAP SCREW SETS (10pcs./set)

Code No.	Size	Pcs. used in an engine
79871020	M2.6x7	Cover Plate Retaining Screw (4pcs.)
79871055	M2.6x18	Carburetor Retainer Retaining Screw (1pc.)
79871180	M3x18	Cylinder Head Retaining Screw (4pcs.)

No.	Code No.	Description
1	2A304000	Outer Head OSSPEED B2102
2	2A304100	Inner Head OSSPEED B2102
3	2A204160	Head Gasket Set (0.1mm,0.15mm) B2101
4	2A203010	Built-up Parts Set (C&P) OSSP B2101
4-1	2A203000	Cylinder & Piston Assembly OSSP B2101
4-2	22016000	Piston Pin 21XZ-R
4-3	21817010	O.S. SPEED Piston Pin Retainer 4mm (6pcs.)
4-4	22425003	Connecting Rod w/piston pin retainers (3pcs.) OSSP B2102,21XZ-B SP3
5	2AN81002	Carburetor Complete (Type 21J3(B))
6	23981740	Carburetor Retainer Assembly 21E,21H,21J
6-1	24881824	"O" Ring (2pcs.) (7B)
7	23731020	Crankshaft Ball Bearing (Front) 21XZ-B
8	2A201000	Crankcase OSSPEED B2101
9	23730050	Ceramic Ball Bearing (Rear) OSSPEED 21V
10	2A202000	Crankshaft OSSPEED B2101
11	23107100	Cover Gasket (S-2) 21XZ,30VG,35AX
12	2A207000	Cover Plate OSSPEED B2101
	71641300	Glow Plug P3
	22826145	Exhaust Seal Ring 21 (10pcs.)
	22884254	Dust Cap Set 12-30 (3mmx2,16mmx2,18mmx1)

No.	Code No.	Description
1	23781400	Ball Link No.3
1-1	26381501	Retaining Screw
2	23981520	Dust Cover (21,30VG) 21E,21F,21J
3	23818340	Metering Needle Assembly 21C,21J
3-1	27881820	"O" Ring (2pcs.) (S-3)
4	22848210	Slide Valve 21J
5	23618197	Needle Assembly 21C,21E,21F,20E,21J
5-1	46066319	"O" Ring (2pcs.) P-3
6	22082940	Needle Holder Assembly (21M) 21XZ-R
6-1	22082950	Fuel Inlet (No.15)
7	22848160	Throttle Stop Screw (21J)
7-1	27881820	"O" Ring (2pcs.) (S-3)
8	22082600	Mixture Control Valve Assembly (21M) 21XZ-R
8-1	46066319	"O" Ring (L) (2pcs.) P-3
8-2	22781800	"O" Ring (S) (2pcs.) 10D,10F,1H-3H,20E
9	2AN81100	Carburetor Body 21J3(B) (w/o Reducer)
9-1	2AN81101	Thermo Insulator 21J3
10	29015019	Carburetor Rubber Gasket 20E,60F,60MC,70D

This engine is the limited edition. All the special parts assembled in the engine are not available as spare parts. Use standard parts when you replace them.

The following are special parts for the limited edition.

- Outer head with special engraving
- Crankshaft with special engraving
- 5.8mm carburetor restrictor
- Crankcase with special engraving

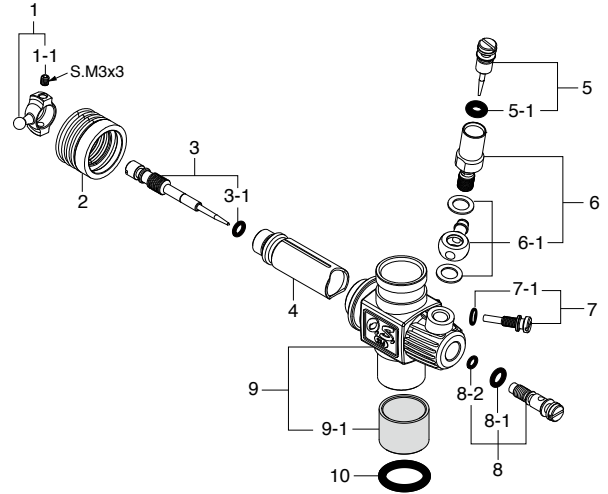
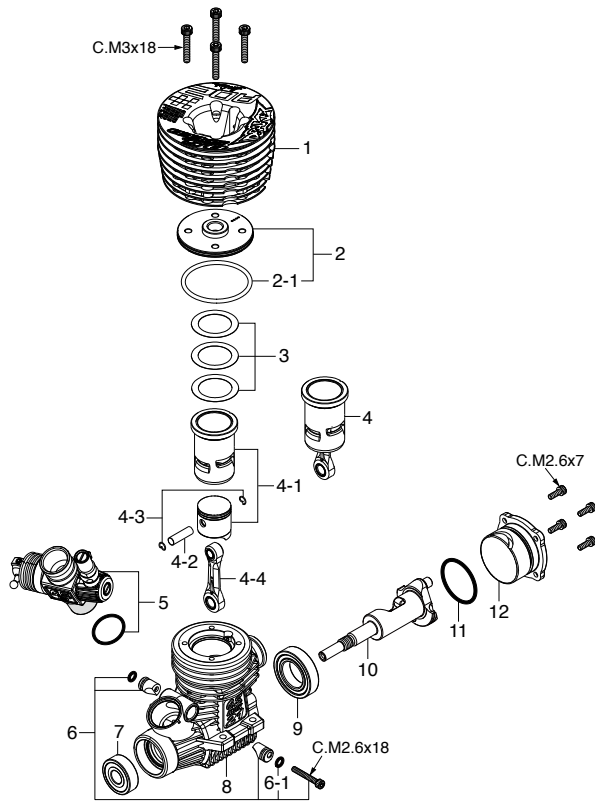


# O.S. SPEED B21 ADAM DRAKE EDITION 2

(1CH00)

## TYPE 21J4(B)

(2CH81000)



\* Type of screw

C...Cap Screw B...Binding Screw M...Oval Fillister-Head Screw  
F...Flat Head Screw T...Tapping Screw N...Round Head Screw S...Set Screw

### CAP SCREW SETS (10pcs./set)

Code No.	Size	Pcs. used in an engine
79871020	M2.6x7	Cover Plate Retaining Screw (4pcs.)
79871055	M2.6x18	Carburetor Retainer Retaining Screw (1pc.)
79871180	M3x18	Cylinder Head Retaining Screw (4pcs.)

No.	Code No.	Description
* 1	2CH04000	Outer Head OSSPEED B21 ADAM 2
* 2	2CH04100	Inner Head OSSPEED B21
2-1	2BN04180	Inner Head "O" Ring (S-32) (RED)
3	2A204160	Head Gasket Set (0.1mm,0.15mm) B2101
4	2A203013	Built-up Parts Set (C&P) OSSP B21 ADAM
4-1	2A203003	Cylinder & Piston Assembly OSSP B21 ADAM
4-2	22016000	Piston Pin 21XZ-R
4-3	2AP17000	O.S. SPEED Piston Pin Retainer 2 (6pcs.)
4-4	22425003	Connecting Rod w/piston pin retainers (3pcs.) OSSP B2102,21XZ-B SP3
* 5	2CH81000	Carburetor Complete (Type 21J4(B)) W/Out Reducer
6	23981740	Carburetor Retainer Assembly 21E,21H,21J
6-1	24881824	"O" Ring (2pcs.) (7B, 20G)
7	23731020	Crankshaft Ball Bearing (Front) 21XZ-B
8	2A201000	Crankcase OSSPEED B2101
9	23730050	Ceramic Ball Bearing (Rear) OSSPEED 21V-SPEC
* 10	2CH02000	Crankshaft OSSPEED B21 ADAM 2
11	23107100	Cover Gasket (S-22) 21XZ,30VG,35AX
12	2A207000	Cover Plate OSSPEED B2101
	71642720	Glow Plug O.S. SPEED P3
	71534466	Reducer $\varnothing$ 6.5II (BLUE) AL2
	71534470	Reducer $\varnothing$ 7 (BLUE) AL
	22826145	Exhaust Seal Ring 21 (10pcs.)
	22884254	O.S. SPEED Dust Cap Set For 12-30 Class (3mmx2,16mmx2,18mmx1)

No.	Code No.	Description
1	2BN81430	Ball Link No.6
1-1	26381501	Retaining Screw
2	23981520	Dust Cover (21,30VG,28XZ) 21E,21F,21J
3	23818340	Metering Needle Assembly 21C,21J
3-1	27881820	"O" Ring (2pcs.) (S-3)
4	22848210	Slide Valve 21J
5	23618197	Needle Assembly 21C,21E,21F,20E,21J
5-1	46066319	"O" Ring (L) (2pcs.) P-3
6	22082940	Needle Holder Assembly (21M) 21XZ-R
6-1	22082950	Fuel Inlet (No.15)
7	22848160	Throttle Stop Screw (21J)
7-1	27881820	"O" Ring (2pcs.) (S-3)
8	23781600	Mixture Control Valve Assembly 20K,21J
8-1	46066319	"O" Ring (L) (2pcs.) (P-3)
8-2	22781800	"O" Ring (S) (2pcs.) 10D,10F,1H-3H,20E
9	2AN81100	Carburetor Body 21J3(B)
9-1	2AN81101	Thermo Insulator 21J3
10	29015019	Carburetor Rubber Gasket 20E,60F,60MC,70D

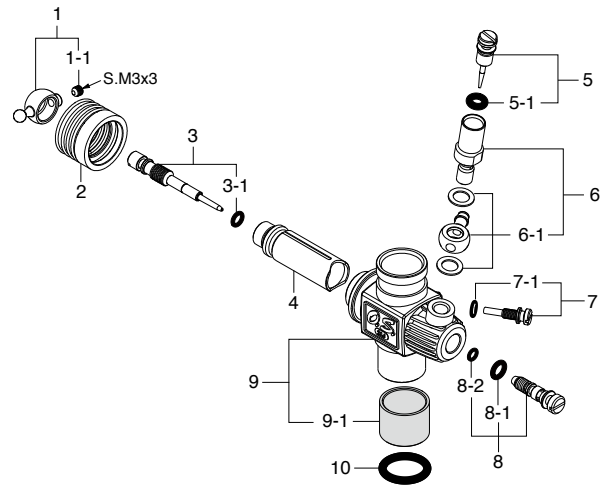
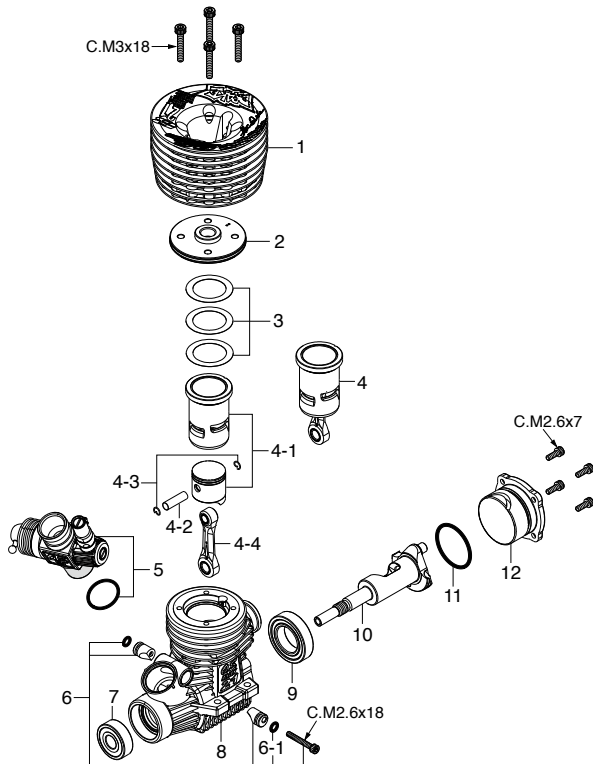


# O.S. SPEED B21 ADAM DRAKE EDITION

(1A20C)

## TYPE 21J3(B)

(2AN81002)



\* Type of screw

C...Cap Screw B...Binding Screw M...Oval Fillister-Head Screw  
F...Flat Head Screw T...Tapping Screw N...Round Head Screw S...Set Screw

### CAP SCREW SETS (10pcs./set)

Code No.	Size	Pcs. used in an engine
79871020	M2.6x7	Cover Plate Retaining Screw (4pcs.)
79871055	M2.6x18	Carburetor Retainer Retaining Screw (1pc.)
79871180	M3x18	Cylinder Head Retaining Screw (4pcs.)

No.	Code No.	Description
1	2A204006	Outer Head OSSPEED B21 ADAM
2	2A304100	Inner Head OSSPEED B2102
3	2A204160	Head Gasket Set (0.1mm,0.15mm) B2101
4	2A203013	Built-up Parts Set (C&P) OSSP B21 ADAM
4-1	2A203003	Cylinder & Piston Assembly OSSP B21 ADAM
4-2	22016000	Piston Pin 21XZ-R
4-3	21817010	O.S. SPEED Piston Pin Retainer 4mm (6pcs.)
4-4	22425003	Connecting Rod w/piston pin retainers (3pcs.) OSSP B2102,21XZ-B SP3
5	2AN81002	Carburetor Complete (Type 21J3(B)) W/Out Reducer
6	23981740	Carburetor Retainer Assembly 21E,21H,21J
6-1	24881824	"O" Ring (2pcs.) (7B)
7	23731020	Crankshaft Ball Bearing (Front) OSSPEED 21V
8	2A201000	Crankcase OSSPEED B2101
9	23730050	Ceramic Ball Bearing (Rear) OSSPEED 21V
10	2A202002	Crankshaft OSSPEED B21 ADAM
11	23107100	Cover Gasket (S-22) 21XZ,30VG,35AX
12	2A207000	Cover Plate OSSPEED B2101
	71642720	Glow Plug O.S. SPEED P3
	71534466	Reducer 6.5mm (BLUE) AL2
	71533680	Reducer 8mm (BLUE) AL
	22826145	Exhaust Seal Ring 21 (10pcs.)
	22884254	O.S. SPEED Dust Cap Set For 12-30 Class (3mmx2,16mmx2,18mmx1)

No.	Code No.	Description
1	23781400	Ball Link No.3
1-1	26381501	Retaining Screw
2	23981520	Dust Cover (21,30VG) 21E,21F,21J
3	23818340	Metering Needle Assembly 21C,21J
3-1	27881820	"O" Ring (2pcs.) (S-3)
4	22848210	Slide Valve 21J
5	23618197	Needle Assembly 21C,21E,21F,20E,21J
5-1	46066319	"O" Ring (2pcs.) P-3
6	22082940	Needle Holder Assembly (21M) 21XZ-R
6-1	22082950	Fuel Inlet (No.15)
7	22848160	Throttle Stop Screw (21J)
7-1	27881820	"O" Ring (2pcs.) (S-3)
8	22082600	Mixture Control Valve Assembly (21M) 21XZ-R
8-1	46066319	"O" Ring (L) (2pcs.) (P-3)
8-2	22781800	"O" Ring (S) (2pcs.) 10D,10F,1H-3H,20E
9	2AN81100	Carburetor Body 21J3(B) (w/out Reducer)
9-1	2AN81101	Thermo Insulator 21J3
10	29015019	Carburetor Rubber Gasket 20E,60F,60MC,70D

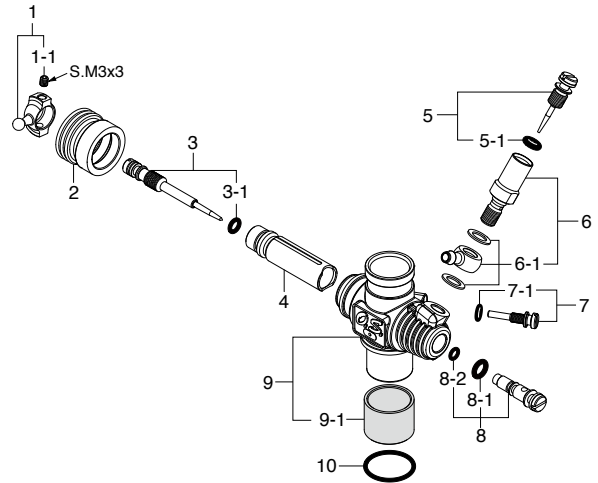
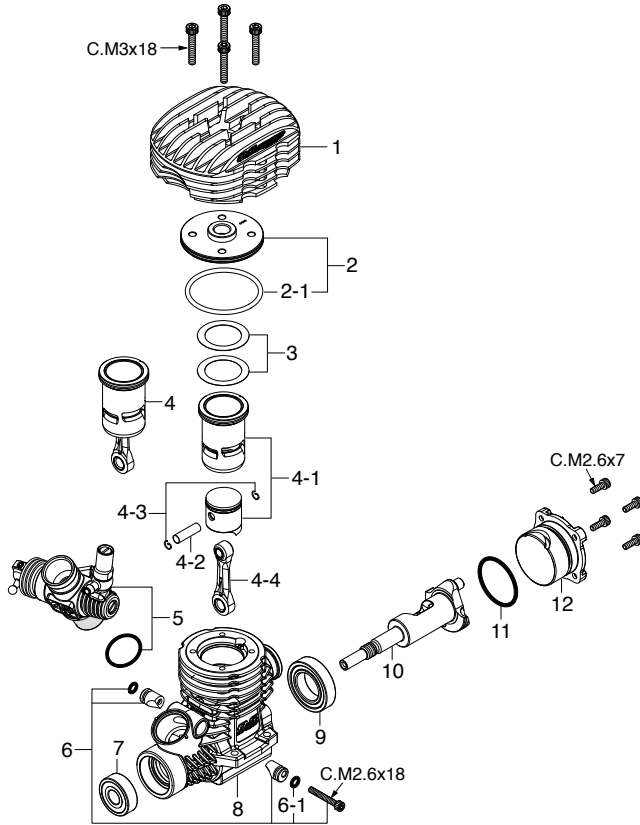


# O.S. SPEED B2103 Type S

(1BN00)

## TYPE 22D(B)

(2BN81000)



\* Type of screw

C...Cap Screw B...Binding Screw M...Oval Fillister-Head Screw  
F...Flat Head Screw T...Tapping Screw N...Round Head Screw S...Set Screw

### CAP SCREW SETS (10pcs./set)

Code No.	Size	Pcs. used in an engine
79871020	M2.6x7	Cover Plate Retaining Screw (4pcs.)
79871055	M2.6x18	Carburetor Retainer Retaining Screw (1pc.)
79871180	M3x18	Cylinder Head Retaining Screw (4pcs.)

No.	Code No.	Description
* 1	2BN04000	Outer Head OSSPEED B2103 S
* 2	2BN04100	Inner Head OSSPEED B2103
* 2-1	2BN04180	Inner Head "O" Ring (RED) (S-32)
3	2A004160	Head Gasket (0.1mm, 0.15mm) OSSPEED R2101
* 4	2BN03010	Built-up Parts Set (C&P) OSSPEED B2103 S
* 4-1	2BN03000	Cylinder & Piston Assembly OSSPEED B2103 S
4-2	22016000	Piston Pin 21XZ-R
4-3	21817010	Piston Pin Retainer 4mm (6pcs.)
4-4	22425003	Connecting Rod (w/piston pin retainers 3pcs.)
* 5	2BN81000	Carburetor Complete Type 22D(B)
6	23981740	Carburetor Retainer Assembly 21E,21H,21J
6-1	24881824	"O" Ring (2pcs.) (7B)
7	23731020	Ball Bearing (Front) 21XZ-B
* 8	2BN01000	Crankcase OSSPEED B2103
9	23730050	Ceramic Bearing (Rear) OSSPEED 21V SPEC
* 10	2BN02000	Crankshaft OSSPEED B2103
11	23764020	Cover Gasket (S-22) 30VG,21VZ,VG
* 12	2BN07000	Cover Plate OSSPEED B2103
	71641300	Glow Plug P3
	22826140	Exhaust Seal Ring
	71533261	Carburetor Reducer $\phi$ 6II (RED) w/ "O" Ring (2pcs.)
	71533865	Carburetor Reducer $\phi$ 6.5II (RED) w/ "O" Ring (2pcs.)
	22884250	Dust Cap Set ( $\phi$ 3, $\phi$ 16, $\phi$ 18)

\* marked parts are available only for limited period (one year after finishing the production).

No.	Code No.	Description
* 1	2BN81430	Ball Link No.6
1-1	26381501	Retaining Screw
* 2	2BN81520	Dust Cover 22D 21E,21F,21J
* 3	2BN81500	Metering Needle Assembly 22D
3-1	27881820	"O" Ring (2pcs.) (S-3)
4	2A381200	Slide Valve 22C
5	23618197	Needle Assembly 21C,21E,21F,20E,21J
5-1	46066319	"O" Ring (L) (2pcs.) P-3
6	22082940	Needle Holder Assembly (21M) 21XZ-R
6-1	22082950	Fuel Inlet (No.15)
7	2A381620	Throttle Stop Screw 22C
7-1	27881820	"O" Ring (2pcs.) (S-3)
8	23781600	Mixture Control Valve Assembly 20K,21J
8-1	46066319	"O" Ring (L) (2pcs.) P-3
8-2	22781800	"O" Ring (S) (2pcs.)10D,10F,1H-3H,20E
* 9	2BN81100	Carburetor Body (w/Thermo Insulator) 22D(B)
9-1	2AN81101	Thermo Insulator
10	29015019	Carburetor Rubber Gasket 20E,60F,60MC,70D

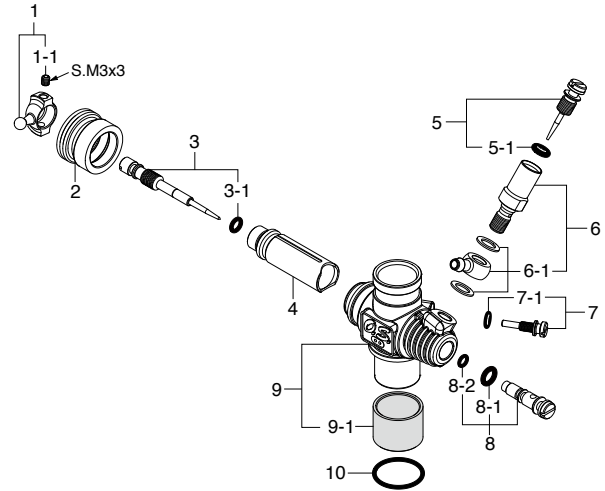
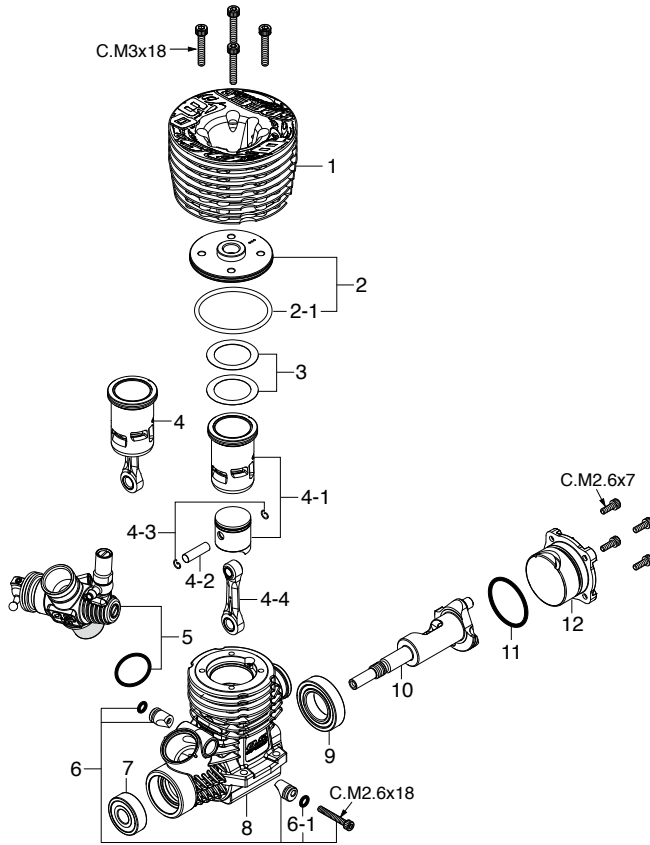


# O.S. SPEED B2103 Type R

(1BP00)

## TYPE 22E(B)

(2BP81000)



\* Type of screw

C...Cap Screw B...Binding Screw M...Oval Fillister-Head Screw  
F...Flat Head Screw T...Tapping Screw N...Round Head Screw S...Set Screw

### CAP SCREW SETS (10pcs./set)

Code No.	Size	Pcs. used in an engine
79871020	M2.6x7	Cover Plate Retaining Screw (4pcs.)
79871055	M2.6x18	Carburetor Retainer Retaining Screw (1pc.)
79871180	M3x18	Cylinder Head Retaining Screw (4pcs.)

No.	Code No.	Description
* 1	2BP04000	Outer Head OSSPEED B2103 R
* 2	2BN04100	Inner Head OSSPEED B2103
* 2-1	2BN04180	Inner Head "O" Ring (RED) (S-32)
3	2A004160	Head Gasket (0.1mm, 0.15mm) OSSPEED R2101
* 4	2BP03010	Built-up Parts Set (C&P) OSSPEED B2103 R
* 4-1	2BP03000	Cylinder & Piston Assembly OSSPEED B2103 R
4-2	22016000	Piston Pin 21XZ-R
4-3	21817010	Piston Pin Retainer 4mm (6pcs.)
4-4	22425003	Connecting Rod (w/piston pin retainers 3pcs.)
* 5	2BP81000	Carburetor Complete Type 22E(B)
6	23981740	Carburetor Retainer Assembly 21E,21H,21J
6-1	24881824	"O" Ring (2pcs.) (7B,20G)
7	23731020	Ball Bearing (Front) 21XZ-B
* 8	2BN01000	Crankcase OSSPEED B2103
9	23730050	Ceramic Bearing (Rear) OSSPEED 21V SPEC
* 10	2BN02000	Crankshaft OSSPEED B2103
11	23764020	Cover Gasket (S-22) 30VG,21VZ,VG
* 12	2BN07000	Cover Plate OSSPEED B2103
	71641300	Glow Plug P3
	22826140	Exhaust Seal Ring
	71533261	Carburetor Reducer $\phi$ 6II (RED) w/ "O" Ring (2pcs.)
	71533865	Carburetor Reducer $\phi$ 6.5II (RED) w/ "O" Ring (2pcs.)
	22884250	Dust Cap Set ( $\phi$ 3, $\phi$ 16, $\phi$ 18)

\* marked parts are available only for limited period (one year after finishing the production).

No.	Code No.	Description
* 1	2BN81430	Ball Link No.6
1-1	26381501	Retaining Screw
* 2	2BN81520	Dust Cover 22D 21E,21F,21J
3	23818340	Metering Needle Assembly 21C,21J
3-1	27881820	"O" Ring (2pcs.) (S-3)
4	22848210	Slide Valve 21J
5	23618197	Needle Assembly 21C,21E,21F,20E,21J
5-1	46066319	"O" Ring (L) (2pcs.) P-3
6	22082940	Needle Holder Assembly (21M) 21XZ-R
6-1	22082950	Fuel Inlet (No.15)
7	22848160	Throttle Stop Screw 21J
7-1	27881820	"O" Ring (2pcs.) (S-3)
8	23781600	Mixture Control Valve Assembly 20K,21J
8-1	46066319	"O" Ring (L) (2pcs.) P-3
8-2	22781800	"O" Ring (S) (2pcs.)10D,10F,1H-3H,20E
* 9	2BP81100	Carburetor Body (w/Thermo Insulator) 22E(B)
9-1	2AN81101	Thermo Insulator 21J3
10	29015019	Carburetor Rubber Gasket 20E,60F,60MC,70D

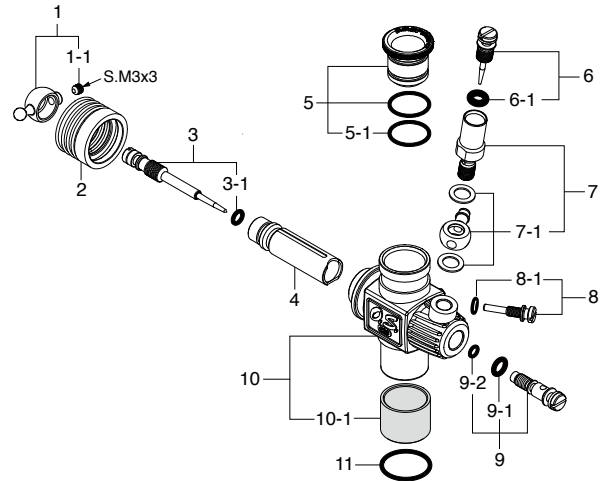
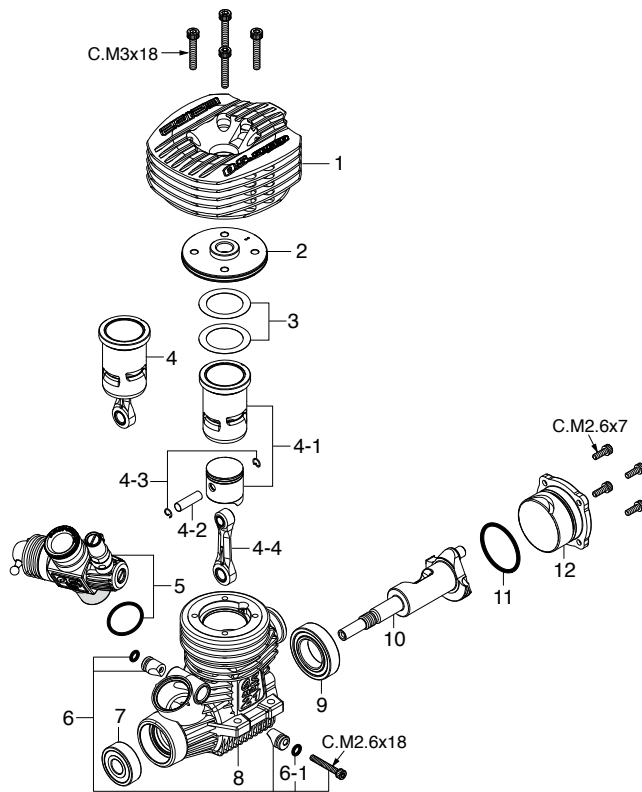


# O.S. SPEED B2102

Discontinued (1A300)

## TYPE 22C(B)R6.0

(2A381000)



\* Type of screw

C...Cap Screw B...Binding Screw M...Oval Fillister-Head Screw  
F...Flat Head Screw T...Tapping Screw N...Round Head Screw S...Set Screw

### CAP SCREW SETS (10pcs./set)

Code No.	Size	Pcs. used in an engine
79871020	M2.6x7	Cover Plate Retaining Screw (4pcs.)
79871055	M2.6x18	Carburetor Retainer Retaining Screw (1pc.)
79871180	M3x18	Cylinder Head Retaining Screw (4pcs.)

No.	Code No.	Description
* 1	2A304000	Outer Head OSSPEED B2102
* 2	2A304100	Inner Head OSSPEED B2102
3	2A204160	Head Gasket (0.1mm, 0.15mm) OSSPEED B2101
4	2A203010	Built-up Parts Set (C&P) OSSPEED B2101
4-1	2A203000	Cylinder & Piston Assembly OSSPEED B2101
4-2	22016000	Piston Pin 21XZ-R
4-3	21817010	Piston Pin Retainer 4mm (6pcs.)
4-4	22425003	Connecting Rod (w/piston pin retainers 3pcs.)
* 5	2A381000	Carburetor Complete (Type 22C(B) R6.0)
6	23981740	Carburetor Retainer Assembly 21E,21H,21J
6-1	24881824	"O" Ring (2pcs.) (7B)
7	23731020	Ball Bearing (Front) 21XZ-B
* 8	2A301000	Crankcase OSSPEED B2102
9	23730050	Ceramic Bearing (Rear) OSSPEED 21V
* 10	2A302000	Crankshaft OSSPEED B2102
11	23764020	Cover Gasket (S-22) 30VG,21VZ,VG
12	2A207000	Cover Plate OSSPEED B2101
	71641300	Glow Plug P3
	22826140	Exhaust Seal Ring 21VZ,30VG
	71533865	Carburetor Reducer 6.5mm(RED) w/ "O" Ring (2pcs.)
	22615000	"O" Ring (1pc.) 2A-3A,20C,20D
	22884250	Dust Cap Set ( 3mm,16mm,18mm)

\* marked parts are available only for limited period (one year after finishing the production).

No.	Code No.	Description
1	23781400	Ball Link No.3
1-1	26381501	Retaining Screw
2	23981520	Dust Cover (21,30VG) 21E,21F,21J
* 3	2A381500	Metering Needle Assembly 22C
3-1	27881820	"O" Ring (2pcs.) (S-3)
* 4	2A381200	Slide Valve 22C
5	71533261	Carburetor Reducer 6mm (Red) OSSPEED B2101
5-1	22615000	"O" Ring 2A-3A,20C,20D
6	23618197	Needle Assembly 21C,21E,21F,20E,21J
6-1	46066319	"O" Ring (L) (2pcs.) P-3
7	22082940	Needle Holder Assembly (21M) 21XZ-R
7-1	22082950	Fuel Inlet (No.15)
* 8	2A381620	Throttle Stop Screw 22C
8-1	27881820	"O" Ring (2pcs.) (S-3)
9	23781600	Mixture Control Valve Assembly 20K,21J
9-1	46066319	"O" Ring (L) (2pcs.) P-3
9-2	22781800	"O" Ring (S) (2pcs.) 10D,10F,1H-3H,20E
* 10	2A381100	Carburetor Body (w/Thermo Insulator) 22C(B)
10-1	2AN81101	Thermo Insulator 21J3
11	29015019	Carburetor Rubber Gasket 20E,60F,60MC,70D

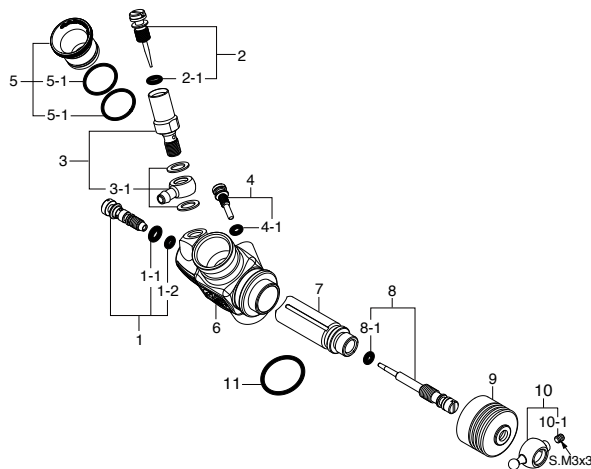
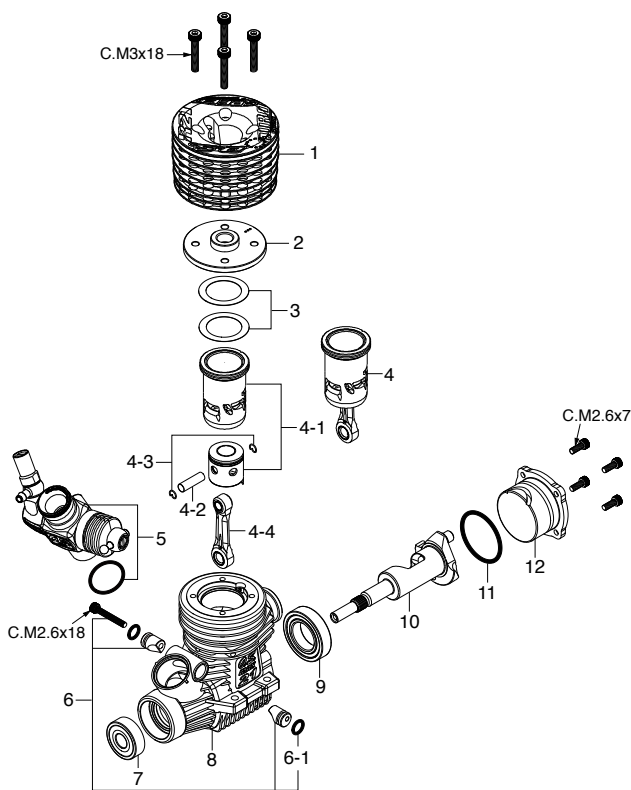


# O.S. SPEED R21 EURO Spec.

(1C400)

## TYPE 21M2(B)

(2A081001)



\*Type of screw

C...Cap Screw B...Binding Screw M...Oval Fillister-Head Screw  
F...Flat Head Screw T...Tapping Screw N...Round Head Screw S...Set Screw

### CAP SCREW SETS (10pcs./set)

Code No.	Size	Pcs. used in an engine
79871020	M2.6x7	Cover Plate Retaining Screw (4pcs.)
79871055	M2.6x18	Carburetor Retainer Retaining Screw (1pc.)
79871180	M3x18	Cylinder Head Retaining Screw (4pcs.)

No.	Code No.	Description
*	1	2C404000 Outer Head OSSPEED R21 EURO
	2	2A004100 Inner Head OSSPEED R2101
	3	2A004160 Head Gasket Set (0.1mm / 0.15mm) OSSPEED R2101
*	4	2C403010 Built-Up Parts Set OSSPEED R21 EURO
*	4-1	2C403000 Cylinder & Piston Assembly OSSPEED R21 EURO
	4-2	22016000 Piston Pin 21XZ-R
	4-3	2AP17000 O.S. SPEED Piston Pin Retainer 2 (6pcs.)
	4-4	23755024 Connecting Rod w/piston pin retainers (3pcs.) OSSP R2102,21XZ-GT
	5	2A081001 Carburetor Complete (Type 21M2(B))
	6	23981740 Carburetor Retainer Assembly 21E,21H,21J
	6-1	24881824 "O" Ring (2pcs.) (7B)
	7	23731000 Crankshaft Ball Bearing (Front) 21VZ,VG,30VG,28XZ
	8	2A001000 Crankcase OSSPEED R2101
	9	23730020 Crankshaft Ball Bearing (Rear) 21V-SPEC,28XZ,30VG
	10	2A002000 Crankshaft OSSPEED R2101
	11	23107100 Cover Gasket (S-22) 21XZ,30VG,35AX
	12	2A007000 Cover Plate OSSPEED R2101
		71642070 Glow Plug RP7
		22826140 Exhaust Seal Ring (2pcs.) 21VZ,30VG
		71801110 O.S. SPEED Flywheel Collet (2pcs.)
		22884254 O.S. SPEED Dust Cap Set For 12-30 Class 3mm (2pcs.)/16mm (2pcs.)/18mm (1pc)

\* marked parts are available only for limited period (one year after finishing the production).

No.	Code No.	Description
1	22082600	Mixture Control Valve Assembly (21M) 21XZ-R
1-1	46066319	"O" Ring (L) (2pcs.) P-3
1-2	22781800	"O" Ring (S) (2pcs.) 10D,10F,1H-3H,20E
2	22082970	Needle Assembly (21M) 21XZ-R
2-1	46066319	"O" Ring (2pcs.) P-3
3	22082940	Needle Holder Assembly (21M) 21XZ-R
3-1	22082950	No.15 Universal Nipple Assembly
4	22848160	Throttle Stop Screw (21J)
4-1	27881820	"O" Ring (S) (2pcs.) (S-3)
5	71533085	Carburetor Reducer (8.5mm Red) ALUMINUM
5-1	22615000	"O" Ring (1pc.) 2A-3A,20C,20D
6	22082110	Carburetor Body 21M(B)
7	22082200	Slide Valve (21M) 21XZ-R
8	2A081610	Metering Needle Assembly R2101
8-1	27881820	"O" Ring (S) (2pcs.) (S-3)
9	23981520	Dust Cover (21,30VG) 21E,21F,21J
10	23781400	Ball Link No.3
10-1	26381501	Set Screw (1pc.)
11	29015019	Carburetor Rubber Gasket 20E,60F,60MC,70D

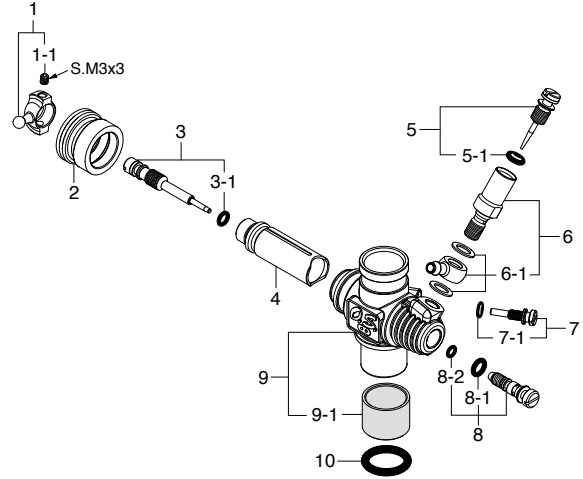
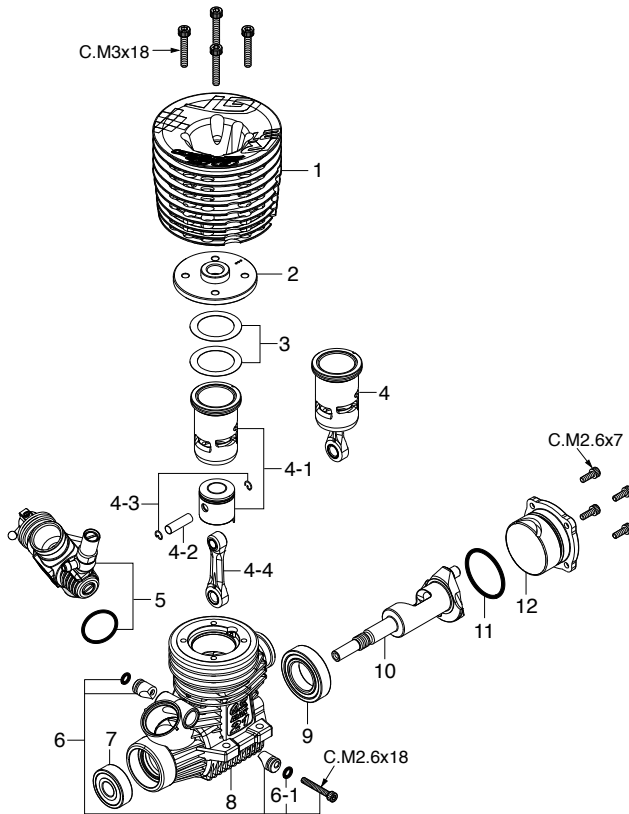


# O.S. SPEED R21GT

(1CC00)

## TYPE 22E(B)GT

(2AN81001)



\* Type of screw

C...Cap Screw B...Binding Screw M...Oval Fillister-Head Screw  
F...Flat Head Screw T...Tapping Screw N...Round Head Screw S...Set Screw

### CAP SCREW SETS (10pcs./set)

Code No.	Size	Pcs. used in an engine
79871020	M2.6x7	Cover Plate Retaining Screw (4pcs.)
79871055	M2.6x18	Carburetor Retainer Retaining Screw (1pc.)
79871180	M3x18	Cylinder Head Retaining Screw (4pcs.)

No.	Code No.	Description
* 1	2CC04000	Outer Head OSSPEED R21GT
2	2A004100	Inner Head OSSPEED R2101
3	2A004160	Head Gasket (0.1mm,0.15mm) R2101
* 4	2CC03010	Built-up Parts Set (C&P) OSSPEED R21GT
* 4-1	2CC03000	Cylinder & Piston Assembly OSSPEED R21GT
4-2	22016000	Piston Pin 21XZ-R
4-3	2AP17000	Piston Pin Retainer 2 (6pcs.)
4-4	23755024	Connecting Rod w/piston pin retainers (3pcs.) OSSPEED R2102,21XZ-GT
* 5	2CC81000	Carburetor Complete Type 22E(B) GT
6	23981740	Carburetor Retainer Assembly 21E,21H,21J
6-1	24881824	"O" Ring (2pcs.) (7B)
7	23731000	Crankshaft Ball Bearing (Front) 21VZ,VG,30VG,28
* 8	2CC01000	Crankcase OSSPEED R21GT
9	23730020	Crankshaft Ball Bearing (Rear) 21V-SPEC,28XZ,30VG
* 10	2CC02000	Crankshaft OSSPEED R21GT
11	23107100	Cover Gasket (S-22) 21XZ,30VG,35AX
12	2A007000	Cover Plate OSSPEED 2101
	71642060	Glow Plug RP6
	71533270	Carburetor Reducer $\phi$ 7 (RED)ALUMINUM
	22826145	Exhaust Seal Ring 21 (10pcs.)
	22884254	Dust Cap Set 12-30 (3mmx2, 16mmx2, 18mmx1)

\* marked parts are available only for limited period (one year after finishing the production).

No.	Code No.	Description
1	2BN81430	Ball Link No.6
1-1	26381501	Retaining Screw
2	2BN81520	Dust Cover 22D
* 3	2CC81500	Metering Needle Assembly 21M OSSPEED R21GT
3-1	27881820	"O" Ring (2pcs.) (S-3)
4	22848210	Slide Valve 21J
5	23618197	Needle Assembly 21C,21E,21F,20E,21J
5-1	46066319	"O" Ring (2pcs.) (P-3)
6	22082940	Needle Holder Assembly (21M) 21XZ-R
6-1	22082950	Fuel Inlet (No.15)
7	22848160	Throttle Stop Screw (21J)
7-1	27881820	"O" Ring (2pcs.) (S-3)
8	22082600	Mixture Control Valve Assembly (21M) 21XZ-R
8-1	46066319	"O" Ring (L) (2pcs.) P-3
8-2	22781800	"O" Ring (S) (2pcs.) 10D,10F,1H-3H,20E
9	2BP81100	Carburetor Body 22E(B) (w/Thermo Insulator)
9-1	2AN81101	Thermo Insulator 21J3
10	29015019	Carburetor Rubber Gasket 20E,60F,60MC,70D

\* marked parts are available only for limited period (one year after finishing the production).



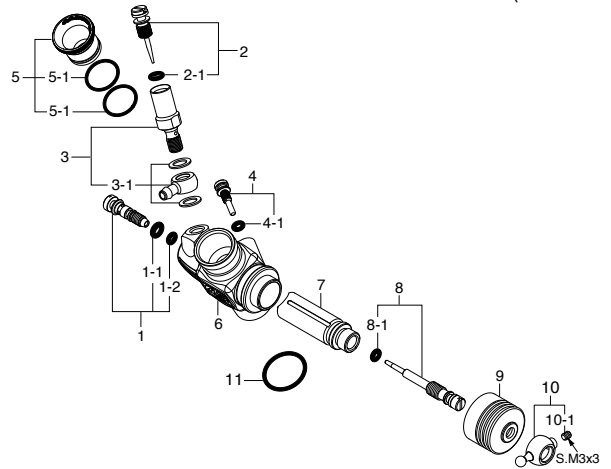
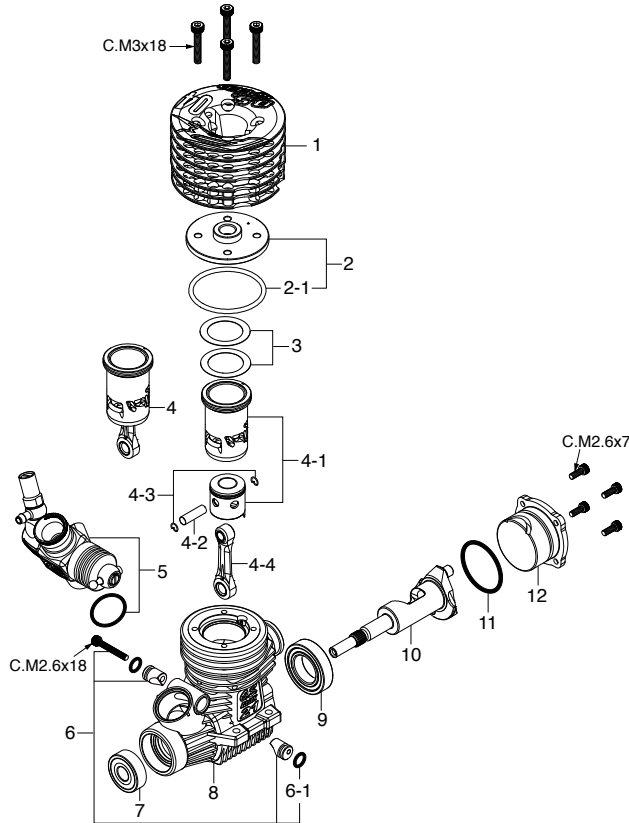


# O.S. SPEED R2104

(1C600)

## TYPE 21M2(B)

(2A081001)



\* Type of screw

C...Cap Screw B...Binding Screw M...Oval Fillister-Head Screw

F...Flat Head Screw T...Tapping Screw N...Round Head Screw S...Set Screw

### CAP SCREW SETS (10pcs./set)

Code No.	Size	Pcs. used in an engine
79871020	M2.6x7	Cover Plate Retaining Screw (4pcs.)
79871055	M2.6x18	Carburetor Retainer Retaining Screw (1pc.)
79871180	M3x18	Cylinder Head Retaining Screw (4pcs.)

No.	Code No.	Description
* 1	2C604000	Outer Head OSSPEED R2104
* 2	2C604100	Inner Head OSSPEED R2104
2-1	2BN04180	Inner Head "O" Ring (S-32) (RED)
3	2A004160	Head Gasket Set (0.1mm / 0.15mm) OSSPEED R2101
* 4	2C603010	Built-Up Parts Set OSSPEED R2104
* 4-1	2C603000	Cylinder & Piston Assembly OSSPEED R2104
4-2	22016000	Piston Pin 21XZ-R
4-3	2AP17000	O.S. SPEED Piston Pin Retainer 2 (6pcs.)
4-4	23755024	Connecting Rod w/piston pin retainers (3pcs.) OSSP R2102,21XZ-GT
5	2A081001	Carburetor Complete (Type 21M2(B))
6	23981740	Carburetor Retainer Assembly 21E,21H,21J
6-1	24881824	"O" Ring (2pcs.) (7B)
7	23731000	Crankshaft Ball Bearing (Front) 21VZ,VG,30VG,28XZ
8	2A001000	Crankcase OSSPEED R2101
9	23730020	Crankshaft Ball Bearing (Rear) 21V-SPEC,28XZ,30VG
* 10	2C602000	Crankshaft OSSPEED R2104
11	23107100	Cover Gasket (S-22) 21XZ,30VG,35AX
12	2A007000	Cover Plate OSSPEED R2101
	71642070	Glow Plug RP7
	22826145	Exhaust Seal Ring 21 (10pcs.)
	71801110	O.S. SPEED Flywheel Collet (2pcs.)
	22884254	O.S. SPEED Dust Cap Set For 12-30 Class 3mm (2pcs.)/16mm (2pcs.)/18mm (1pc)

\* marked parts are available only for limited period (one year after finishing the production).

No.	Code No.	Description
1	22082600	Mixture Control Valve Assembly (21M) 21XZ-R
1-1	46066319	"O" Ring (L) (2pcs.) P-3
1-2	22781800	"O" Ring (S) (2pcs.) 10D,10F,1H-3H,20E
2	22082970	Needle Assembly (21M) 21XZ-R
2-1	46066319	"O" Ring (L) (2pcs.) P-3
3	22082940	Needle Holder Assembly (21M) 21XZ-R
3-1	22082950	No.15 Universal Nipple Assembly
4	22848160	Throttle Stop Screw (21J)
4-1	27881820	"O" Ring (S) (2pcs.) (S-3)
5	71533085	Carburetor Reducer (8.5mm Red) ALUMINUM
5-1	22615000	"O" Ring (1pc.) 2A-3A,20C,20D
6	22082110	Carburetor Body 21M(B)
7	22082200	Slide Valve (21M) 21XZ-R
8	2A081610	Metering Needle Assembly R2101
8-1	27881820	"O" Ring (S) (2pcs.) (S-3)
9	23981520	Dust Cover (21,30VG) 21E,21F,21J
10	23781400	Ball Link No.3
10-1	26381501	Set Screw (1pc.)
11	29015019	Carburetor Rubber Gasket 20E,60F,60MC,70D

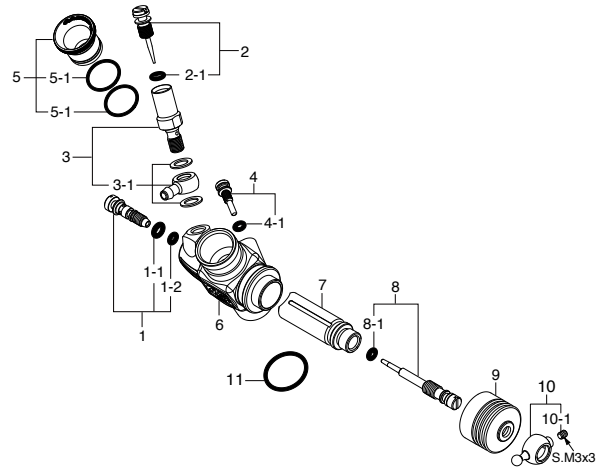
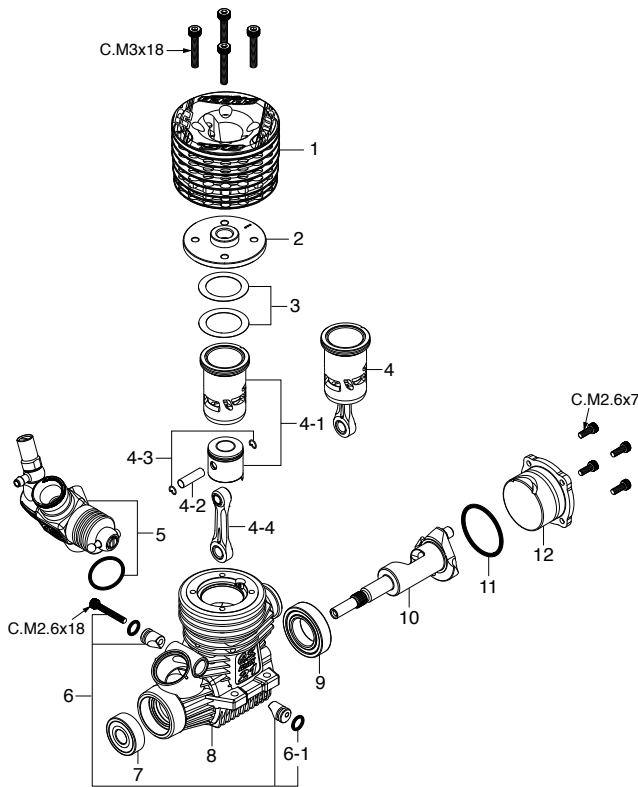


# O.S. SPEED R2103

(1AY00)

## TYPE 21M2(B)

(2A081001)



\* Type of screw

C...Cap Screw B...Binding Screw M...Oval Fillister-Head Screw

F...Flat Head Screw T...Tapping Screw N...Round Head Screw S...Set Screw

### CAP SCREW SETS (10pcs./set)

Code No.	Size	Pcs. used in an engine
79871020	M2.6x7	Cover Plate Retaining Screw (4pcs.)
79871055	M2.6x18	Carburetor Retainer Retaining Screw (1pc.)
79871180	M3x18	Cylinder Head Retaining Screw (4pcs.)

No.	Code No.	Description
* 1	2AY04000	Outer Head OSSPEED R2103
2	2A004100	Inner Head OSSPEED R2101
3	2A004160	Head Gasket Set (0.1mm / 0.15mm) OSSPEED R2101
* 4	2AY03010	Built-Up Parts Set OSSPEED R2103
* 4-1	2AY03000	Cylinder & Piston Assembly OSSPEED R2103
4-2	22016000	Piston Pin 21XZ-R
4-3	2AP17000	O.S. SPEED Piston Pin Retainer 2 (6pcs.)
4-4	23755024	Connecting Rod w/piston pin retainers (3pcs.)
5	2A081001	Carburetor Complete (Type 21M2(B))
6	23981740	Carburetor Retainer Assembly 21E,21H,21J
6-1	24881824	"O" Ring (2pcs.) (7B)
7	23731000	Crankshaft Ball Bearing (Front) 21VZ,VG,30VG,28XZ
8	2A001000	Crankcase OSSPEED R2101
9	23730020	Crankshaft Ball Bearing (Rear) 21V-SPEC,28XZ,30VG
* 10	2AY02000	Crankshaft OSSPEED R2103
11	23107100	Cover Gasket (S-22) 21XZ,30VG,35AX
12	2A007000	Cover Plate OSSPEED R2101
	71642070	Glow Plug RP7
	22826140	Exhaust Seal Ring (2pcs.) 21VZ,30VG
	71801110	O.S. SPEED Flywheel Collet (2pcs.)
	22884254	O.S. SPEED Dust Cap Set For 12-30 Class 3mm (2pcs.)/16mm (2pcs.)/18mm (1pc)

\* marked parts are available only for limited period  
(one year after finishing the production).

No.	Code No.	Description
1	22082600	Mixture Control Valve Assembly (21M) 21XZ-R
1-1	46066319	"O" Ring (L) (2pcs.) P-3
1-2	22781800	"O" Ring (S) (2pcs.) 10D,10F,1H-3H,20E
2	22082970	Needle Assembly (21M) 21XZ-R
2-1	46066319	"O" Ring (2pcs.) P-3
3	22082940	Needle Holder Assembly (21M) 21XZ-R
3-1	22082950	No.15 Universal Nipple Assembly
4	22848160	Throttle Stop Screw (21J)
4-1	27881820	"O" Ring (S) (2pcs.) (S-3)
5	71533085	Carburetor Reducer (8.5mm Red) ALUMINUM
5-1	22615000	"O" Ring (1pc.) 2A-3A,20C,20D
6	22082110	Carburetor Body 21M(B)
7	22082200	Slide Valve (21M) 21XZ-R
8	2A081610	Metering Needle Assembly R2101
8-1	27881820	"O" Ring (S) (2pcs.) (S-3)
9	23981520	Dust Cover (21,30VG) 21E,21F,21J
10	23781400	Ball Link No.3
10-1	26381501	Set Screw (1pc.)
11	29015019	Carburetor Rubber Gasket 20E,60F,60MC,70D

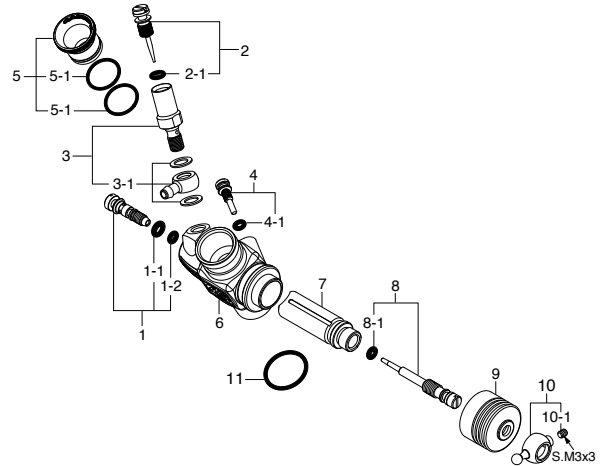
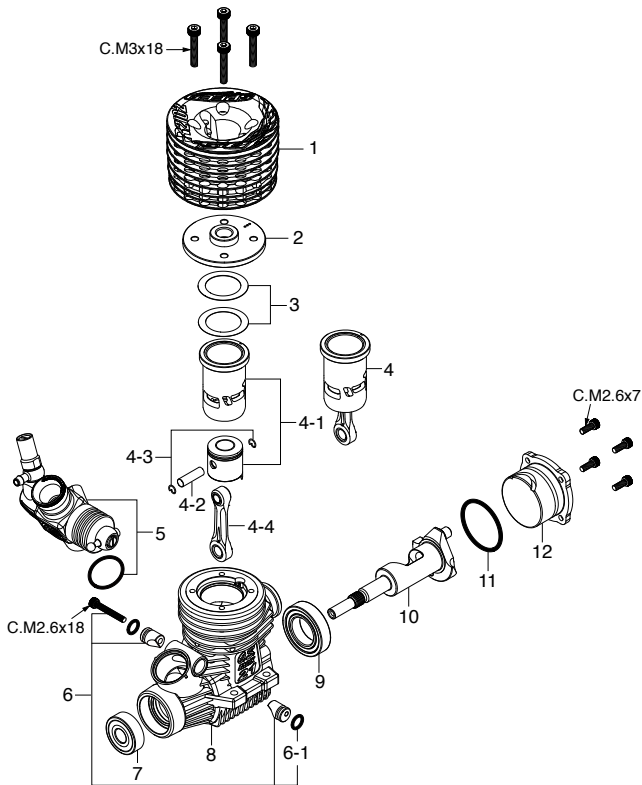


# O.S. SPEED R2102

Discontinued (1A100)

## TYPE 21M2(B)

(2A081001)



\* Type of screw

C...Cap Screw B...Binding Screw M...Oval Fillister-Head Screw

F...Flat Head Screw T...Tapping Screw N...Round Head Screw S...Set Screw

### CAP SCREW SETS (10pcs./set)

Code No.	Size	Pcs. used in an engine
79871020	M2.6x7	Cover Plate Retaining Screw (4pcs.)
79871055	M2.6x18	Carburetor Retainer Retaining Screw (1pc.)
79871180	M3x18	Cylinder Head Retaining Screw (4pcs.)

No.	Code No.	Description
* 1	2A104000	Outer Head OSSPEED R2102
* 2	2A004100	Inner Head OSSPEED R2101
3	2A004160	Head Gasket Set (0.1mm / 0.15mm) R2101
* 4	2A003010	Built-Up Parts Set (CP) OSSPEED R2101
* 4-1	2A003000	Cylinder & Piston Assembly OSSPEED R2101
4-2	22016000	Piston Pin 21XZ-R
4-3	2AP17000	O.S. SPEED Piston Pin Retainer 2 (6pcs.)
4-4	23755024	Connecting Rod w/piston pin retainers (3pcs.)
* 5	2A081001	Carburetor Complete (Type 21M2(B))
6	23981740	Carburetor Retainer Assembly 21E,21H,21J
6-1	24881824	"O" Ring (2pcs.) (TB)
7	23731000	Crankshaft Ball Bearing (Front) 21VZ,VG,30VG,28
* 8	2A001000	Crankcase OSSPEED R2101
9	23730050	Ceramic Bearing (Rear) OSSPEED 21V
* 10	2A002000	Crankshaft OSSPEED R2101
11	23107100	Cover Gasket (S-22) 21XZ,30VG,35AX
* 12	2A007000	Cover Plate OSSPEED R2101
* 2A104100		Inner Head OSSPEED R2102
	71642070	Glow Plug RP7 (T-Plug)
	22826140	Exhaust Seal Ring (2pcs.) 21VZ,30VG
	71801110	O.S. SPEED Flywheel Collet (2pcs.)
	22884254	O.S. SPEED Dust Cap Set For 12-30 Class 3mm (2pcs.)/16mm (2pcs.)/18mm (1pc)

\* marked parts are available only for limited period (one year after finishing the production).

No.	Code No.	Description
1	22082600	Mixture Control Valve Assembly (21M) 21XZ-R
1-1	46066319	"O" Ring (L) (2pcs.) P-3
1-2	22781800	"O" Ring (S) (2pcs.) 10D,10F,1H-3H,20E
2	22082970	Needle Assembly (21M) 21XZ-R
2-1	46066319	"O" Ring (2pcs.) P-3
3	22082940	Needle Holder Assembly (21M) 21XZ-R
3-1	22082950	No.15 Universal Nipple Assembly
4	22848160	Throttle Stop Screw (21J)
4-1	27881820	"O" Ring (S) (2pcs.) (S-3)
5	71533085	Carburetor Reducer (8.5mm Red) ALUMINUM
5-1	22615000	"O" Ring (1pc.) 2A-3A,20C,20D
6	22082110	Carburetor Body 21M(B)
7	22082200	Slide Valve (21M) 21XZ-R
* 8	2A081610	Metering Needle Assembly R2101
8-1	27881820	"O" Ring (S) (2pcs.) (S-3)
9	23981520	Dust Cover (21,30VG) 21E,21F,21J
10	23781400	Ball Link No.3
10-1	26381501	Set Screw (1pc.)
11	29015019	Carburetor Rubber Gasket 20E,60F,60MC,70D

\* marked parts are available only for limited period (one year after finishing the production).

***EXPLODED VIEWS  
WITH CODE NUMBERS LIST***

**For Car  
2-Stroke  
Glow Engines**

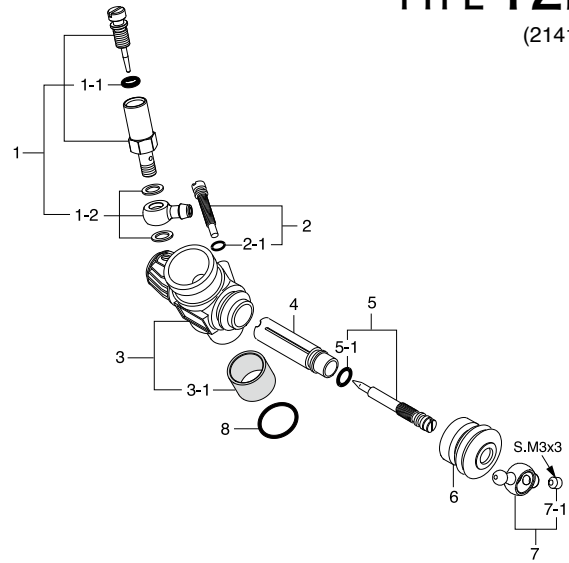
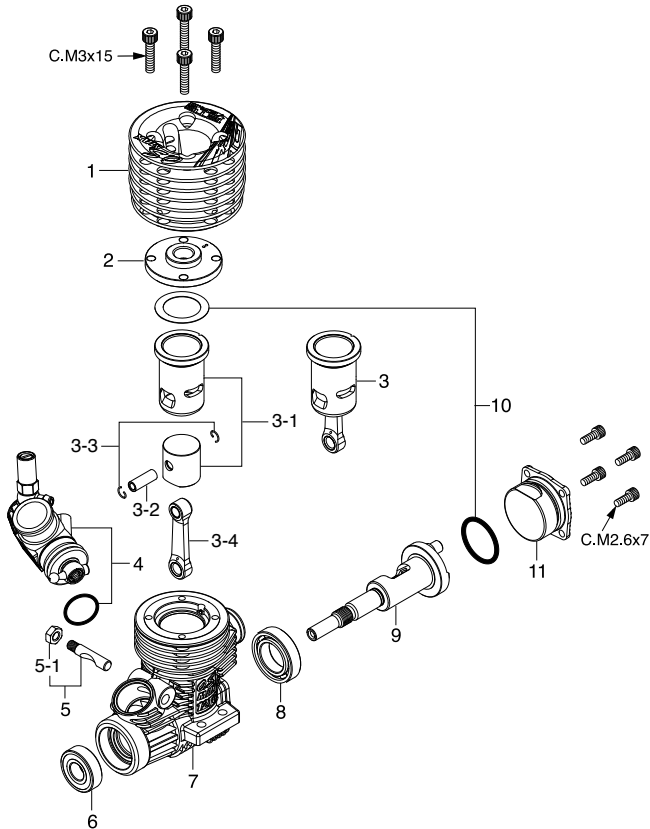


## MAX-12TG Ver.III

(1AK00)

## TYPE 12D2

(21418010)



\* Type of screw

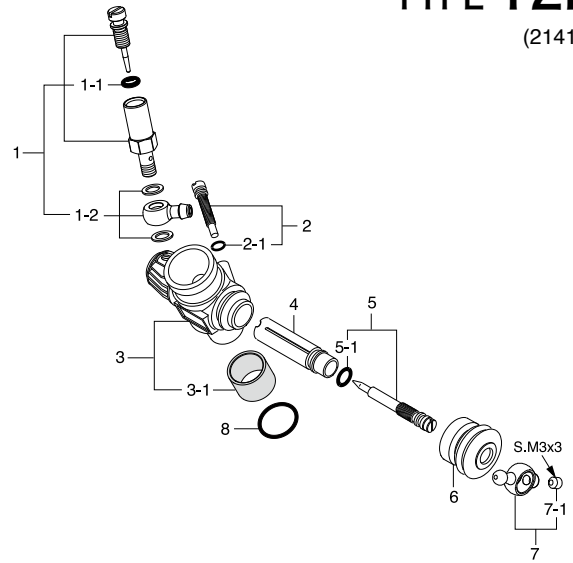
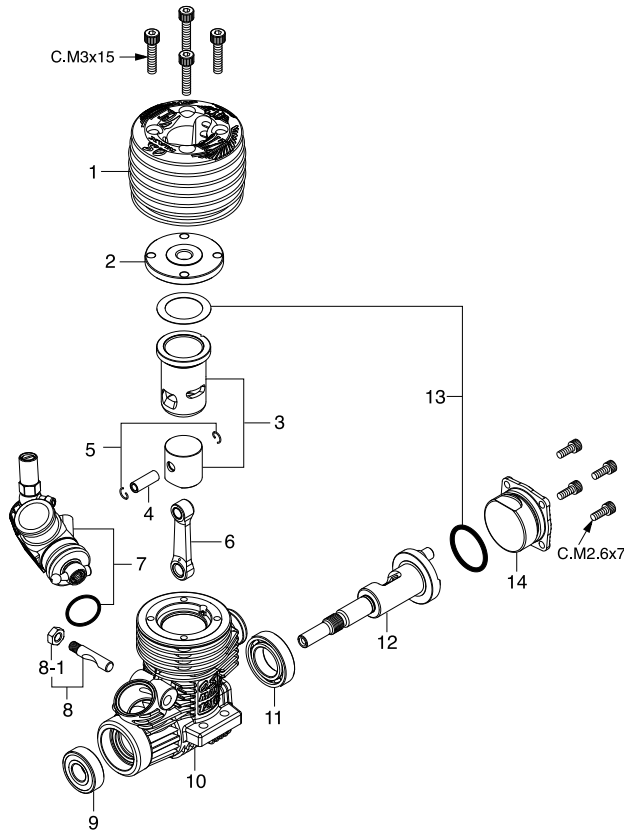
C...Cap Screw B...Binding Screw M...Oval Fillister-Head Screw  
F...Flat Head Screw T...Tapping Screw N...Round Head Screw S...Set Screw

### CAP SCREW SETS (10pcs./set)

Code No.	Size	Pcs. used in an engine
79871020	M2.6x7	Cover Plate Retaining Screw (4pcs.)
79871150	M3x15	Cylinder Head Retaining Screw (4pcs.)

No.	Code No.	Description
1	2AK04000	Outer Head 12TG Ver.3
2	21674100	Inner Head 12XZ
3	21413020	Built-Up Parts Set MAX-12TG
3-1	21413000	Cylinder & Piston Assembly 12TG-P, TG
3-2	21656000	Piston Pin 12TZ, 12TG
3-3	21817010	O.S. SPEED Piston Pin Retainer 4mm (6pcs.)
3-4	21415001	Connecting Rod w/piston pin retainers (3pcs.)
4	21418010	Carburetor Complete (Type 12D2) 12TG Ver.2
5	25381701	Carburetor Retainer Assembly 12TZ, 18TZ, 12TG
5-1	23325340	M3.5x0.60 Nut (2pcs.) (For SILENCER)
6	21630500	Crankshaft Ball Bearing (Front) 12
7	21411010	Crankcase 12TG-P, TG
8	21931010	Crankshaft Ball Bearing (Rear) 12TZ, 18TZ, 18TM
9	21412000	Crankshaft 12TG-P
10	21411400	Gasket Set 12TG, TG-P, TG-PX, TG-X
11	21417000	Cover Plate 12TG-P, TG
	71641400	Glow Plug T-P4
	21427210	O.S. SPEED Exhaust Seal Ring 12 (10pcs.)
	22884254	O.S. SPEED Dust Cap Set For 12-30 Class 3mm (2pcs.)/16mm (2pcs.)/18mm (1pc)

No.	Code No.	Description
1	21681900	Needle Valve Assembly 12F-B
1-1	27881820	"O" Ring (2pcs.) (S-3)
1-2	2AP81950	No.21 Universal Nipple Assembly
2	21982620	Throttle Stop Screw 12D, 11H, 11K
2-1	22781800	"O" Ring (S) (2pcs.) 10D, 10F, 1H-3H, 20E
3	21418110	Carburetor Body (12D2) 12TG Ver.2
3-1	21982900	Thermo Insulator 11H, 11K, 11L
4	21682200	Slide Valve (12F-B) OSSPEED 12XZ
5	21538500	Metering Needle Assembly 12D, 11H
5-1	22781800	"O" Ring (S) (2pcs.) 10D, 10F, 1H-3H, 20E
6	21982520	Dust Cover 12D, 11H, 11K
7	23818430	Ball Link No.5
7-1	26381501	Set Screw (1pc.)
8	22615000	Carburetor Rubber Gasket 2A-3A, 20C, 20D



\* Type of screw

C...Cap Screw B...Binding Screw M...Oval Fillister-Head Screw  
F...Flat Head Screw T...Tapping Screw N...Round Head Screw S...Set Screw

#### CAP SCREW SETS (10pcs./set)

Code No.	Size	Pcs. used in an engine
79871020	M2.6x7	Cover Plate Retaining Screw (4pcs.)
79871150	M3x15	Cylinder Head Retaining Screw (4pcs.)

No.	Code No.	Description
1	21414010	Outer Head 12TG Ver.2
2	21414120	Inner Head 12TG Ver.2
3	21413000	Cylinder & Piston Assembly 12TG-P,TG
4	21536000	Piston Pin 12TZ,12TG
5	21817000	Piston Pin Retainer (2pcs.) 12TG,21VG,28XZ
6	21415000	Connecting Rod 12TG-P,TG
7	21418010	Carburetor Complete (Type 12D2) 12TG Ver.2
8	25381701	Carburetor Retainer Assembly 12TZ,18TZ,12TG
8-1	23325340	M3.5x0.60 Nut (2pcs.) (For silencer)
9	22631020	Crankshaft Ball Bearing (Front) 12CV-R,12TR
10	21411010	Crankcase 12TG-P,TG
11	21931010	Crankshaft Ball Bearing (Rear) 12TZ,18TZ,18TM
12	21412000	Crankshaft 12TG-P
13	21411400	Gasket Set 12TG
14	21417000	Cover Plate 12TG-P,TG
	71608001	Glow Plug No.8
	21427200	Exhaust Seal Ring (2pcs.) 12TG,TZ

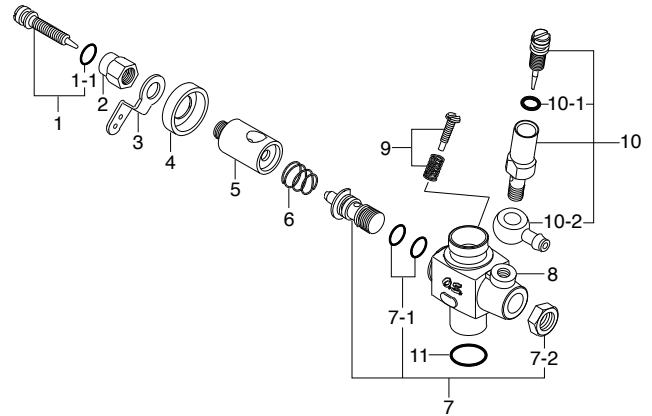
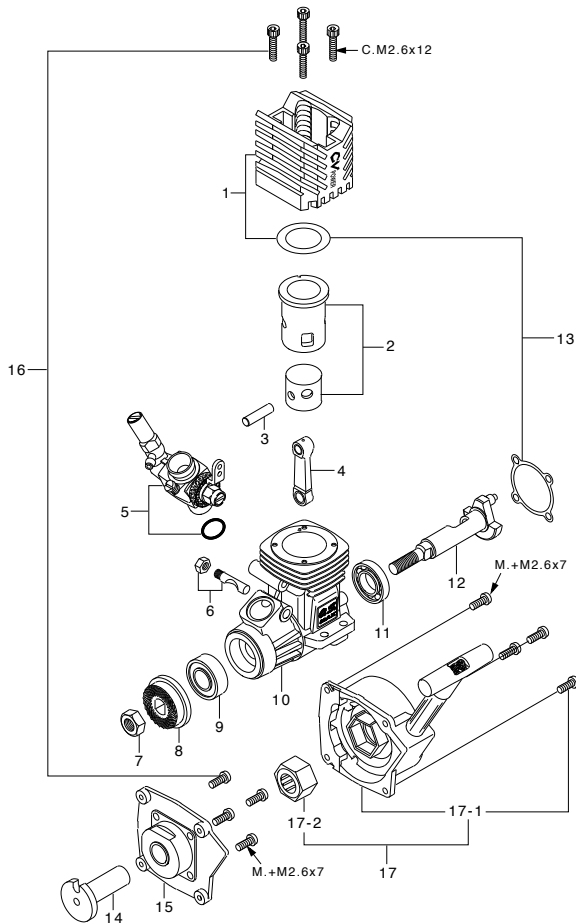
No.	Code No.	Description
1	21681900	Needle Valve Assembly 12F-B
1-1	27881820	"O" Ring (2pcs.) (S-3)
1-2	21881950	No.14 Universal Nipple Assembly
2	21982620	Throttle Stop Screw 12D,11H,11K
2-1	22781800	"O" Ring (S) (2pcs.) 10D,10F,1H-3H,20E
3	21418110	Carburetor Body (12D2) 12TG Ver.2
3-1	21982900	Thermo Insulator 11H,11K,11L
4	21682200	Slide Valve (12F-B) OSSPEED 12XZ
5	21538500	Metering Needle Assembly 12D,11H
5-1	22781800	"O" Ring (S) (2pcs.) 10D,10F,1H-3H,20E
6	21982520	Dust Cover 12D,11H,11K
7	23818430	Ball Link No.5
7-1	26381501	Set Screw
8	22615000	Carburetor Rubber Gasket 2A-3A,20C,20D

## MAX-15CV-X

Discontinued (11523)

## TYPE 10E-R

(21481020)



\* Type of screw

C...Cap Screw B...Binding Screw M...Oval Fillister-Head Screw

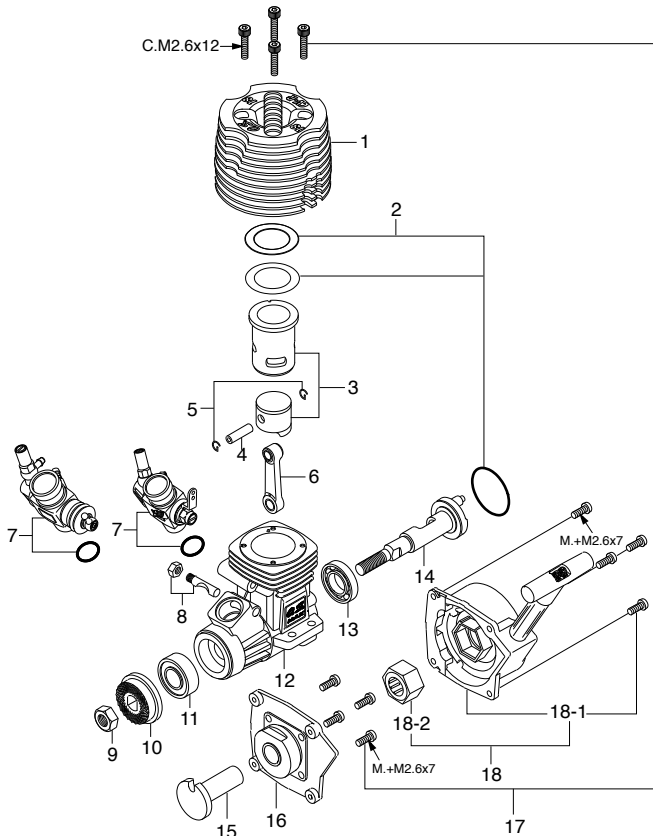
F...Flat Head Screw T...Tapping Screw N...Round Head Screw S...Set Screw

No.	Code No.	Description
1	21504030	Heatsink Head (Natural)
2	21503000	Cylinder & Piston Assembly 15CV-X,15LD
3	21706000	Piston Pin 15LA,FP,CV,LD
4	21205040	Connecting Rod 15LA,12-15CV,12LD
5	21481020	Carburetor Complete (Type 10E-R)
6	21481700	Carburetor Retainer 10E-R,10C,10L
7	20810007	Propeller Nut (M5) 10-15LA,15CV
8	21408000	Drive Hub 12-15CV,LD,12-18CVR
9	22631019	Crankshaft Ball Bearing (Front) CZ,FT,FF,IL
10	21501020	Crankcase (Natural) 15CV-M,MX
11	21230000	Crankshaft Ball Bearing (Rear) CZ,12-15CV,LD
12	21202000	Crankshaft 12-15CVX,15CV-EX
13	21514010	Gasket Set 15CV
14	21812200	Starting Shaft 12CV-X,EX,18CV-RX
15	21421300	Rear Adaptor (Natural) 12CV-RX,15CV-MX
16	21313030	Screw Set 18CV-RX,10FP-BX
17	73003000	No.5 Recoil Starter Assembly
17-1	73003100	No.5 Recoil Starter Body
17-2	73003200	No.5 One-way Clutch
	72404000	Engine Mount Spacer 12TG,CZ-12
	71605300	Glow Plug No.6 (Former A3)
	72403200	Super Air Cleaner 102 (W/3 filter elements)
	72403210	102 Cleaner Body
	72403120	101,102 Filter Elements (6pcs.)

No.	Code No.	Description
1	21481600	Mixture Control Screw 10E-R
1-1	27881820	"O" Ring (2pcs.) (S-3)
2	21481420	Throttle Lever Fixing Nut 12E,10E-R,10M
3	22681419	Throttle Lever 12E,1H,10M,20D
4	21283210	Dust Cover 12E,11M,11J
5	21481200	Carburetor Rotor 10E-R,10E
6	22481506	Rotor Spring 12E,11J,11M,20D
7	21283962	Nozzle Assembly 10E-R,2BK
7-1	24881824	"O" Ring (7B)
7-2	21283961	Locknut 10E-R,2FK,2BK
8	21481120	Carburetor Body 10E-R
9	22681310	Throttle Stop Screw 12E,10M,2BK
10	21481900	Needle Valve Assembly 10E-R,10F
10-1	27881820	"O" Ring (2pcs.) (S-3)
10-2	21481950	Fuel Inlet (No.12) 10E,10F
11	22615000	Carburetor Rubber Gasket 2A-3A,20C,20D

## MAX-18CV-RX

Discontinued W/11G (11881) W/11J (11880)

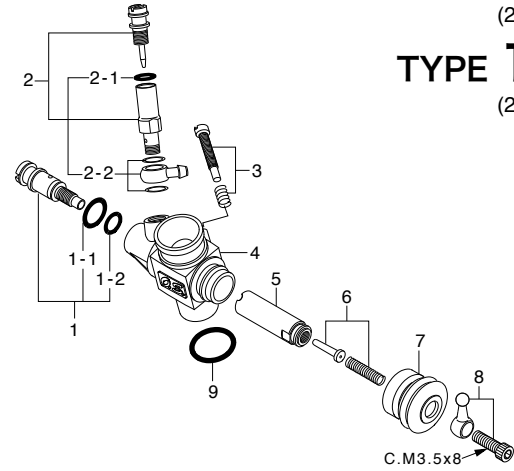


\*Type of screw

C...Cap Screw B...Binding Screw M...Oval Fillister-Head Screw  
F...Flat Head Screw T...Tapping Screw N...Round Head Screw S...Set Screw

No.	Code No.	Description
1	21804010	Heatsink Head (BLUE) 18CV-R,RX
2	21824000	Gasket Set 18CV-R,RX
3	21823000	Cylinder & Piston Assembly 18CV-R,RX
4	21816000	Piston Pin 18CV-R,RX,18TZ
5	21817000	Piston Pin Retainer (2pcs.) 12TG,21VG,28XZ
6	21815000	Connecting Rod 18CV-R,RX,M,MX
7	21883000	Carburetor Complete (Type 11G) 18CV-R,RX
7	21884000	Carburetor Complete (Type 11J) 18CV-R,RX
8	21818000	Carburetor Retainer Assembly 18CV-R,RX
9	20810007	Propeller Nut (M5) 10-15LA,15CV
10	21408000	Drive Hub 12-15CV,LD,12-18CV-R
11	22631020	Crankshaft Ball Bearing (Front) 12CV-R,12TR
12	21811000	Crankcase 18CV-R,RX
13	21832000	Crankshaft Ball Bearing (Rear) 18CV-RX
14	21812100	Crankshaft 18CV-RX
15	21812200	Starting Shaft 12CV-X,EX,18CV-RX
16	21801800	Rear Adaptor 18CV-RX
17	21313030	Screw Set 18CV-RX,10FP-BX
18	73003000	No.5 Recoil Starter Assembly
18-1	73003100	No.5 Recoil Starter Body
18-2	73003200	No.5 One-way Clutch
	71608001	Glow Plug No.8
	72413000	Super Air Cleaner 203 Assembly
	72413200	203 Filter Elements (4pcs.)
	72404000	Engine Mount Spacer 12TG,CZ-12

### TYPE 11G



### TYPE 11G

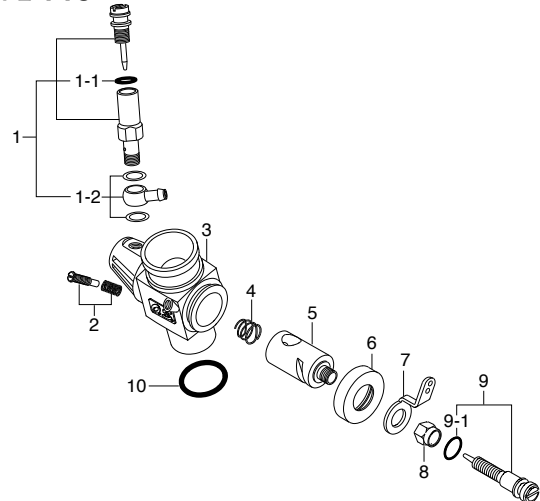
(21883000)

### TYPE 11J

(21884000)

No.	Code No.	Description
1	21285600	Mixture Control Valve Assembly 10C,20M
1-1	46066319	"O" Ring(L) (2pcs.) P-3
1-2	22781800	"O" Ring(S) (2pcs.) 10D,10F,1H-3H,20E
2	21285901	Needle Valve Assembly 12E,10D,10J,10K,10M
2-1	27881820	"O" Ring (2pcs.) (S-3)
2-2	21881950	No.14 Universal Nipple Assembly
3	23818500	Throttle Stop Screw 10D,10J,20B,20E
4	21883100	Carburetor Body (11G) 18CV-R,RX
5	21483200	Slide Valve 11G,10J
6	21483600	Metering Needle Assembly 11G,10J
7	21881320	Dust Cover 10D,10J,11G
8	23818420	Ball Link No.4
9	22615000	Carburetor Rubber Gasket 2A-3A,20C,20D

### TYPE 11J



No.	Code No.	Description
1	21285901	Needle Valve Assembly 12E,10D,10J,10K,10M
1-1	27881820	"O" Ring (2pcs.) (S-3)
1-2	21881950	No.14 Universal Nipple Assembly
2	22681310	Throttle Stop Screw 12E,10M,2BK
3	21884100	Carburetor Body (11J) 18CV-R,RX
4	22481506	Rotor Spring 12E,11J,11M,20D
5	21884200	Carburetor Rotor (11J) 18CV-R,RX
6	21283210	Dust Cover 12E,11M,11J
7	22681419	Throttle Lever 12E,1H,10M,20D
8	21481420	Throttle Lever Fixing Nut 12E,10E-R,10M
9	21484600	Mixture Control Screw 10M
9-1	27881820	"O" Ring (2pcs.) (S-3)
10	22615000	Carburetor Rubber Gasket 2A-3A,20C,20D

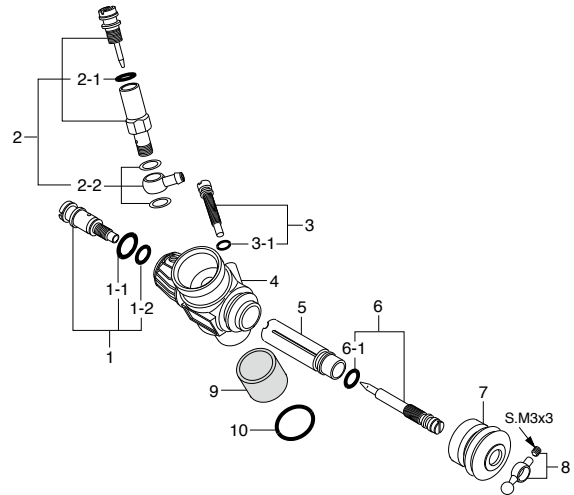
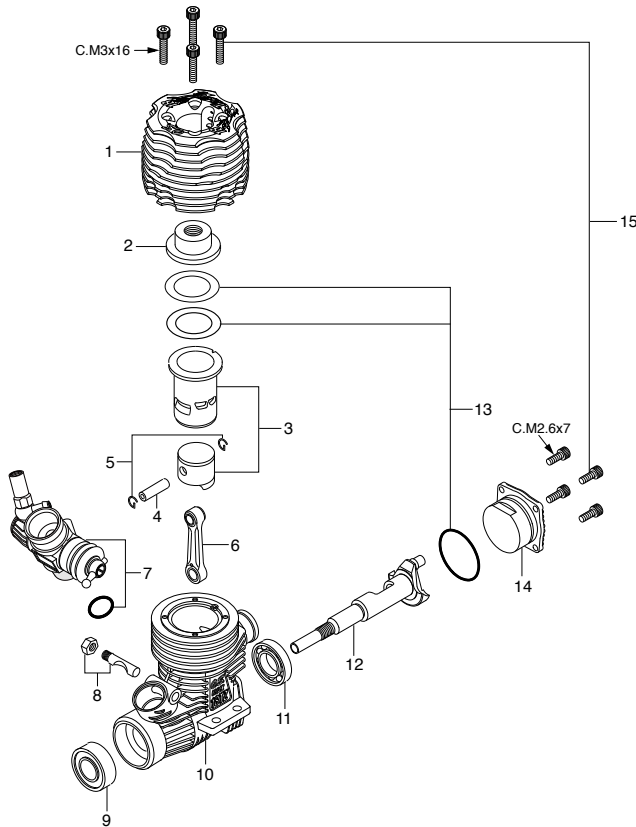


## MAX-18TZ(P)-T

Discontinued (11940)

## TYPE 11K

(21982000)



\*Type of screw

C...Cap Screw B...Binding Screw M...Oval Fillister-Head Screw  
F...Flat Head Screw T...Tapping Screw N...Round Head Screw S...Set Screw

No.	Code No.	Description
1	21914010	Outer Head (BLUE) 18TZ
2	21914110	Inner Head 18TZ
3	21913010	Cylinder & Piston Assembly 18TZ
4	21816000	Piston Pin 18CV-R,RX,18TZ
5	21817000	Piston Pin Retainer (2pcs.) 12TG,21VG,28XZ
6	21915000	Connecting Rod 18TZ,18-21TM
7	21982000	Carburetor Complete (Type 11K) 21-18TM
8	25381701	Carburetor Retainer Assembly 12TZ,18TZ,12TG
9	23731000	Crankshaft Ball Bearing (Front) 21VZ,VG,30VG,28
10	21911030	Crankcase 18TZ
11	21931010	Crankshaft Ball Bearing (Rear) 12TZ,18TZ,18TM
12	21912010	Crankshaft 18TZ(P)
13	21824000	Gasket Set 18CV-R,RX
14	21917000	Cover Plate 12TZ-18TZ
15	23763000	Screw Set 12TG,21VZ-R
	71641300	Glow Plug P3
	21427200	Exhaust Seal Ring 12TG,TZ

No.	Code No.	Description
1	21982700	Mixture Control Valve Assembly 12F-B
1-1	27881820	"O" Ring(L) (2pcs.) (S-3)
1-2	22781800	"O" Ring(S) (2pcs.) 10D,10F,1H-3H,20E
2	21285901	Needle Valve Assembly 12E,10D,10J,10K,10M
2-1	27881820	"O" Ring (2pcs.) (S-3)
2-2	21881950	No.14 Universal Nipple Assembly
3	21982620	Throttle Stop Screw 12D,11H,11K
3-1	22781800	"O" Ring(S) (2pcs.) 10D,10F,1H-3H,20E
4	21982100	Carburetor Body (w/Thermo Insulator) (11K) 21-18TM
5	21982210	Slide Valve 12D,11H,11K
6	21982540	Metering Needle Assembly 11K 21-18TM
6-1	22781800	"O" Ring(S) (2pcs.) 10D,10F,1H-3H,20E
7	21982520	Dust Cover 12D,11H,11K
8	23818430	Ball Link No.5
9	21982900	Thermo Insulator 11H,11K,11L
10	22615000	Carburetor Rubber Gasket 2A-3A,20C,20D

## MAX-21TM-T / MAX-21TM-R

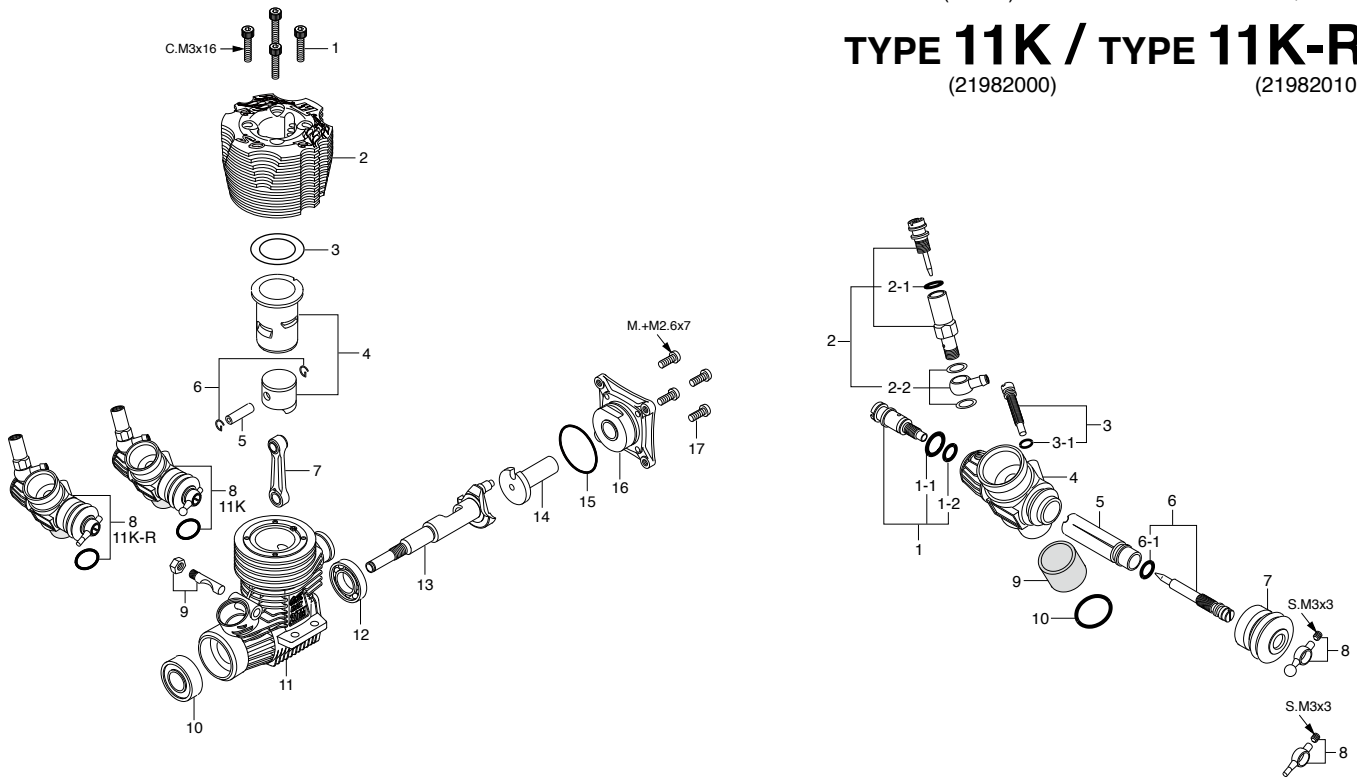
W/11K (12240)

W/11K-R (12241)

## TYPE 11K / TYPE 11K-R

(21982000)

(21982010)



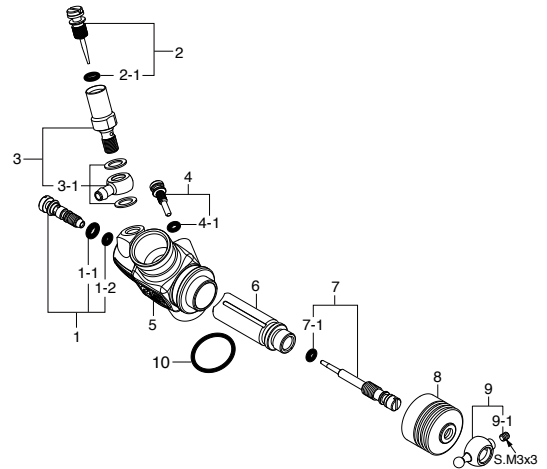
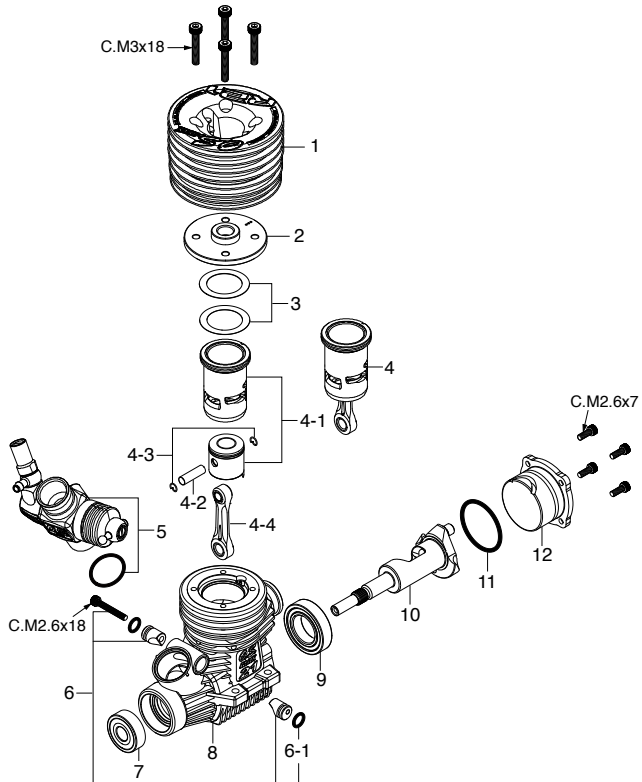
\* Type of screw

C...Cap Screw B...Binding Screw M...Oval Fillister-Head Screw

F...Flat Head Screw T...Tapping Screw N...Round Head Screw S...Set Screw

No.	Code No.	Description
1	79871160	Cylinder Head Retaining Screw (10pcs.)
2	21914200	Heatsink Head 21TM
3	21921400	Head Gasket (1pc.) (0.2T) 21TM
4	21913300	Cylinder & Piston Assembly 21TM
5	23906000	Piston Pin 21VG,RG,RZ,RX,TM,XM
6	21817000	Piston Pin Retainer (2pcs.) 12TG,21VG,28XZ
7	21915000	Connecting Rod 18TZ,18-21TM
8	21982000	Carburetor Complete (Type 11K) 21-18TM
	21982010	Carburetor Complete (Type 11K-R) 21TM REVO
9	25381701	Carburetor Retainer 12TZ,18TZ,12TG
10	23731000	Crankshaft Ball Bearing (Front) 21VZ,VG,30VG,28
11	21921020	Crankcase 21TM
12	21931010	Crankshaft Ball Bearing (Rear) 12TZ,18TZ,18TM
13	21912000	Crankshaft (P) 18-21TM
14	21922000	Starting Shaft 12TG,18TZ,TM
15	21921800	Cover Gasket (S-16)
16	21911800	Rear Adaptor 18TM
17	79860070	Rear Adaptor Retaining Screw (10pcs.)
	71653000	Glow Plug LC3
	21427200	Exhaust Seal Ring (2pcs.)
	72103800	Exhaust Manifold M1020 (21TM-T)
	72103810	Exhaust Manifold M1021 (21TM-R)
	72106172	Manifold Spring (2pcs.) 12TZ,TR

No.	Code No.	Description
1	21982700	Mixture Control Valve Assembly 12F-B
1-1	27881820	"O" Ring (L) (2pcs.) (S-3)
1-2	22781800	"O" Ring (S) (2pcs.) 10D,10F,1H-3H,20E
2	21285901	Needle Valve Assembly 12E,10D,10J,10K,10M
2-1	27881820	"O" Ring (2pcs.) (S-3)
2-2	2AP81950	No.21 Universal Nipple Assembly
3	21982620	Throttle Stop Screw 12D,11H,11K
3-1	22781800	"O" Ring (S) (2pcs.) 10D,10F,1H-3H,20E
4	21982100	Carburetor Body (w/Thermo Insulator) 11K (21-18TM)
5	21982210	Slide Valve 12D,11H,11K
6	21982540	Metering Needle Assembly 11K (21-18TM)
6-1	22781800	"O" Ring (S) (2pcs.) 10D,10F,1H-3H,20E
7	21982520	Dust Cover 12D,11H,11K
8	23818430	Ball Link No.5
	23818440	Throttle Lever (11K-R) 18TM
9	21982900	Thermo Insulator 11H,11K,11L
10	22615000	Carburetor Rubber Gasket 2A-3A,20C,20D



\* Type of screw

C...Cap Screw B...Binding Screw M...Oval Fillister-Head Screw  
F...Flat Head Screw T...Tapping Screw N...Round Head Screw S...Set Screw

#### CAP SCREW SETS (10pcs./set)

Code No.	Size	Pcs. used in an engine
79871020	M2.6x7	Cover Plate Retaining Screw (4pcs.)
79871055	M2.6x18	Carburetor Retainer Retaining Screw (1pc.)
79871180	M3x18	Cylinder Head Retaining Screw (4pcs.)

No.	Code No.	Description
1	2B904000	Outer Head MAX-R21
2	2A004100	Inner Head OSSPEED R2101
3	2A004160	Head Gasket Set (0.1mm / 0.15mm) R2101
4	2B903010	Built-Up Parts Set MAX-R21
4-1	2B903000	Cylinder & Piston Assembly MAX-R21
4-2	22016000	Piston Pin 21XZ-R
4-3	2AP17000	O.S. SPEED Piston Pin Retainer 2 (6pcs.)
4-4	23755024	Connecting Rod w/piston pin retainers (3pcs.) OSSP R2102,21XZ-GT
5	2B981000	Carburetor Complete (Type 21M2)
6	23981740	Carburetor Retainer Assembly 21E,21H,21J
6-1	24881824	"O" Ring (2pcs.) (7B)
7	23731000	Crankshaft Ball Bearing (Front) 21VZ,VG,30VG,28
8	2B901000	Crankcase MAX-R21
9	23730020	Crankshaft Ball Bearing (Rear) 21SPEC,28XZ,30VG
10	2B902000	Crankshaft MAX-R21
11	23107100	Cover Gasket (S-22) 21XZ,30VG,35AX
12	2B907000	Cover Plate MAX-R21
	71642070	Glow Plug RP7
	71533385	Carburetor Reducer (8.5mm Purple)
	22615000	"O" Ring 2A-3A,20C,20D
	22826145	Exhaust Seal Ring 21 (10pcs.)
	71801110	O.S. SPEED Flywheel Collet (2pcs.)
	22884254	O.S. SPEED Dust Cap Set For 12-30 Class 3mm (2pcs.)/16mm (2pcs.)/18mm (1pc)

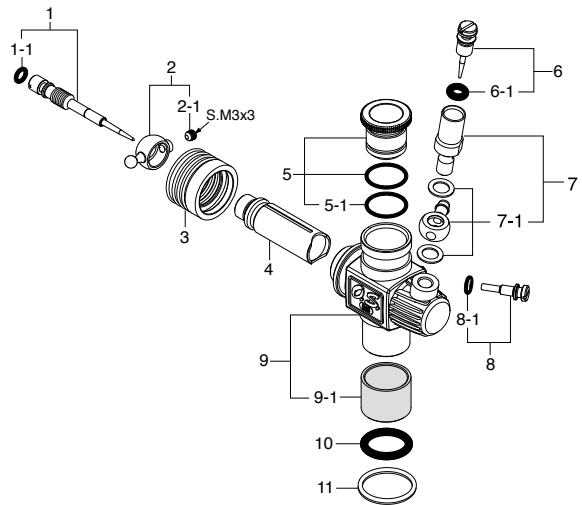
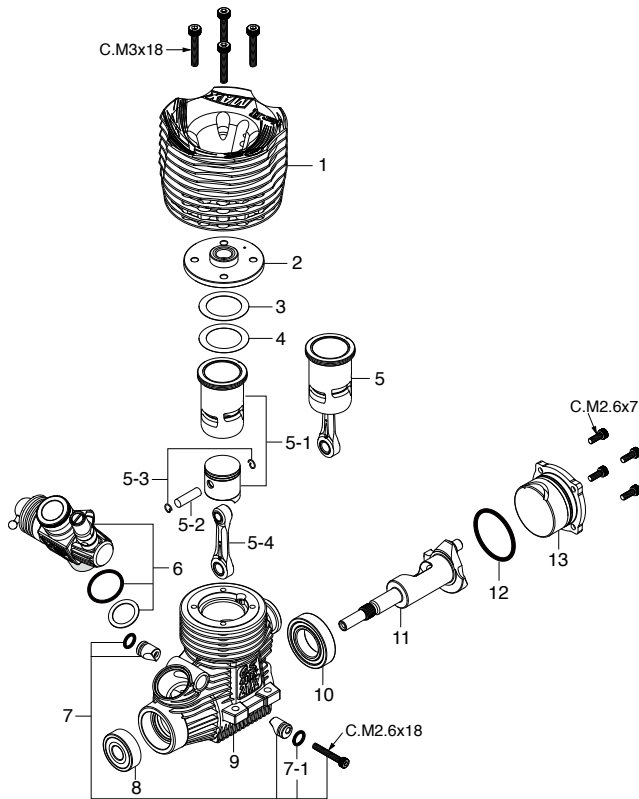
No.	Code No.	Description
1	22082600	Mixture Control Valve Assembly (21M) 21XZ-R
1-1	46066319	"O" Ring (L) (2pcs.) P-3
1-2	22781800	"O" Ring (S) (2pcs.) 10D,10F,1H-3H,20E
2	22082970	Needle Assembly (21M) 21XZ-R
2-1	46066319	"O" Ring (2pcs.) P-3
3	22082940	Needle Holder Assembly (21M) 21XZ-R
3-1	22082950	No.15 Universal Nipple Assembly
4	22848160	Throttle Stop Screw (21J)
4-1	27881820	"O" Ring (S) (2pcs.) (S-3)
5	2B981100	Carburetor Body 21M2
6	22082200	Slide Valve (21M) 21XZ-R
7	2A081610	Metering Needle Assembly R2101
7-1	27881820	"O" Ring (S) (2pcs.) (S-3)
8	23981520	Dust Cover (21,30VG) 21E,21F,21J
9	23781400	Ball Link No.3
9-1	26381501	Set Screw (1pc.)
10	29015019	Carburetor Rubber Gasket 20E,60F,60MC,70D

## MAX-21XZ-B Ver.II

(12183)

### TYPE 22B2

(22282000)



\*Type of screw

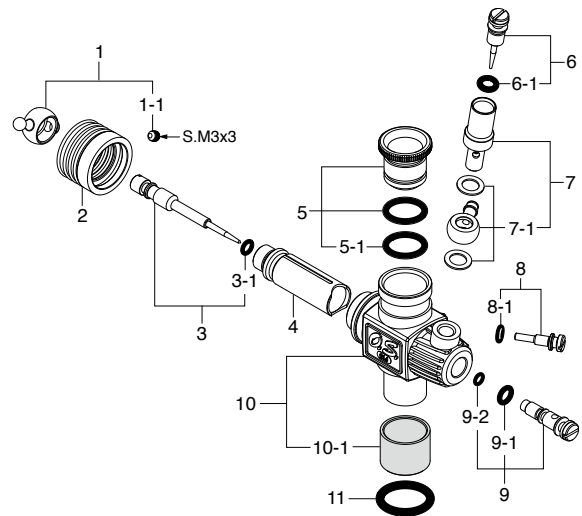
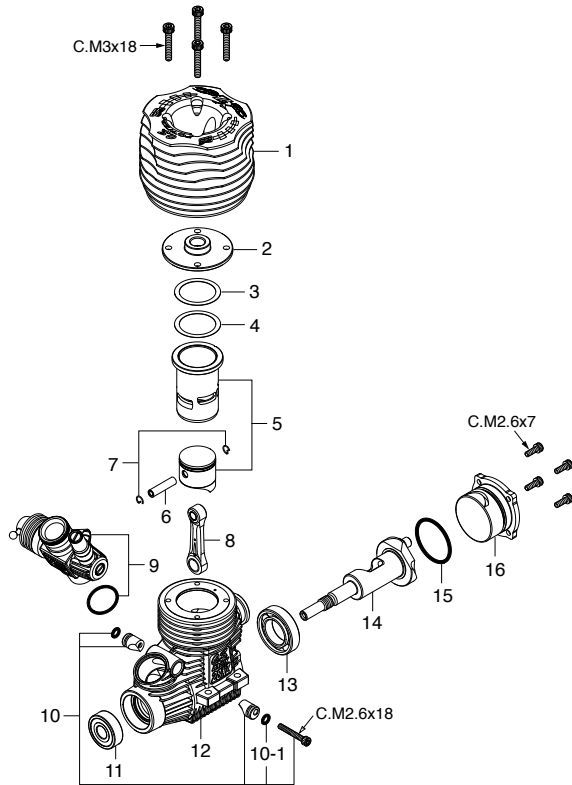
C...Cap Screw B...Binding Screw M...Oval Fillister-Head Screw  
F...Flat Head Screw T...Tapping Screw N...Round Head Screw S...Set Screw

#### CAP SCREW SETS (10pcs./set)

Code No.	Size	Pcs. used in an engine
79871020	M2.6x7	Cover Plate Retaining Screw (4pcs.)
79871055	M2.6x18	Carburetor Retainer Retaining Screw (1pc.)
79871180	M3x18	Cylinder Head Retaining Screw (4pcs.)

No.	Code No.	Description
1	22414040	Outer Head 21XZ-B VER.2
2	22424104	Inner Head OSSPEED 21XZ-B SPEC.2
3	22014160	Head Gasket (AL 0.2mm) 21XZ-R
4	22014170	Head Gasket (PBP 0.1mm) 21XZ-R
5	22423110	Built-up Parts Set (CP) OSSPEED 21XZ-B2
5-1	22423100	Cylinder & Piston Assembly OSSPEED 21XZ-B2
5-2	22016000	Piston Pin 21XZ-R
5-3	21817010	O.S. SPEED Piston Pin Retainer 4mm (6pcs.)
5-4	22425000	Connecting Rod OSSPEED 21XZ-B SPEC.2
6	22282000	Carburetor Complete (Type 22B2)
7	23981740	Carburetor Retainer Assembly 21E,21H,21J
7-1	24881824	"O" Ring (2pcs.) (7B)
8	23731020	Crankshaft Ball Bearing (Front) 21XZ-B
9	22411030	Crankcase 21XZ-B VER.2
10	23730020	Crankshaft Ball Bearing (Rear) 21SPEC,28XZ,30VG
11	22412010	Crankshaft 21XZ-B VER.2
12	23107100	Cover Gasket (S-22) 35AX,25AX
13	22417100	Cover Plate 21XZ-B VER.2
	71641300	Glow Plug P3 (Turbo)
	22826140	Exhaust Seal Ring (2pcs.) 21VZ,30VG
	22884254	O.S. SPEED Dust Cap Set For 12-30 Class 3mm (2pcs.)/16mm (2pcs.)/18mm (1pc)

No.	Code No.	Description
1	23818340	Metering Needle Assembly 21C,21J
1-1	27881820	"O" Ring (2pcs.) (S-3)
2	23781400	Ball Link No.3
2-1	26381501	Retaining Screw
3	23981520	Dust Cover (21,30VG) 21E,21F,21J
4	22848210	Slide Valve 21J
5	71533272	Carburetor Reducer 7mm (YELLOW)
5-1	22615000	"O" Ring 2A-3A,20C,20D
6	23618197	Needle Assembly 21C,21E,21F,20E,21J
6-1	46066319	"O" Ring (P-3)
7	22082940	Needle Holder Assembly (21M) 21XZ-R
7-1	22082950	Fuel Inlet (No.15)
8	22848160	Throttle Stop Screw (21J)
8-1	27881820	"O" Ring (S-3)
9	22282100	Carburetor Body (w/Thermo Insulator) (22B2)
9-1	23781110	Thermo Insulator 21C,21H,21E,20K
10	29015019	Carburetor Rubber Gasket 20E,60F,60MC,70D
11	23818190	Carburetor Sealing Washer 20A,B,50SX-H



\* Type of screw

C...Cap Screw B...Binding Screw M...Oval Fillister-Head Screw

F...Flat Head Screw T...Tapping Screw N...Round Head Screw S...Set Screw

#### CAP SCREW SETS (10pcs./set)

Code No.	Size	Pcs. used in an engine
79871020	M2.6x7	Cover Plate Retaining Screw (4pcs.)
79871055	M2.6x18	Carburetor Retainer Retaining Screw (1pc.)
79871180	M3x18	Cylinder Head Retaining Screw (4pcs.)

No.	Code No.	Description
1	22843200	Outer Head 28XZ
2	22843100	Inner Head 28XZ
3	23914100	Head Gasket 0.2mm (2pcs.) 30VG
4	22841410	Head Gasket 0.1mm (2pcs.) 28XZ
5	22843000	Cylinder & Piston Assembly 28XZ
6	22846000	Piston Pin 28XZ
7	21817010	OSSPEED Piston Pin Retainer 4mm (6pcs.)
8	22845000	Connecting Rod 28XZ
9	22848011	Carburetor Complete (Type 21J2(B) R9.0) 21-28
10	23981740	Carburetor Retainer Assembly 21E,21H,21J
10-1	24881824	"O" Ring (2pcs.) (7B)
11	23731000	Crankshaft Ball Bearing (Front) 21VZ,VG,30VG,28
12	22841000	Crankcase 28XZ
13	23730020	Crankshaft Ball Bearing (Rear) 21SPEC,28XZ,30VG
14	22842000	Crankshaft
15	23764020	Cover Gasket (S-22) 30VG,21VZ,VG
16	22847000	Cover Plate 28XZ
	71641300	Glow Plug T-P3
	22841410	Head Gasket 0.1mm (2pcs.) 28XZ
	22826140	Exhaust Seal Ring 21VZ,30VG
	71533000	Carburetor Reducer 8mm (RED) w/ "O" Ring (2pcs.)
	22615000	"O" Ring (1pc.) 2A-3A,20C,20D
	22884250	Dust Cap Set ( 3mm,16mm,18mm)

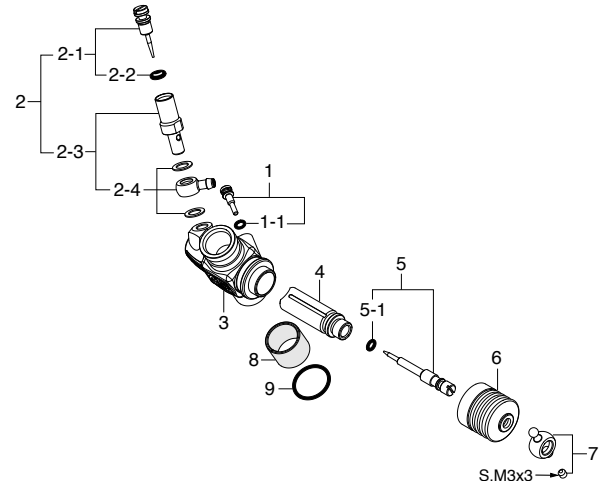
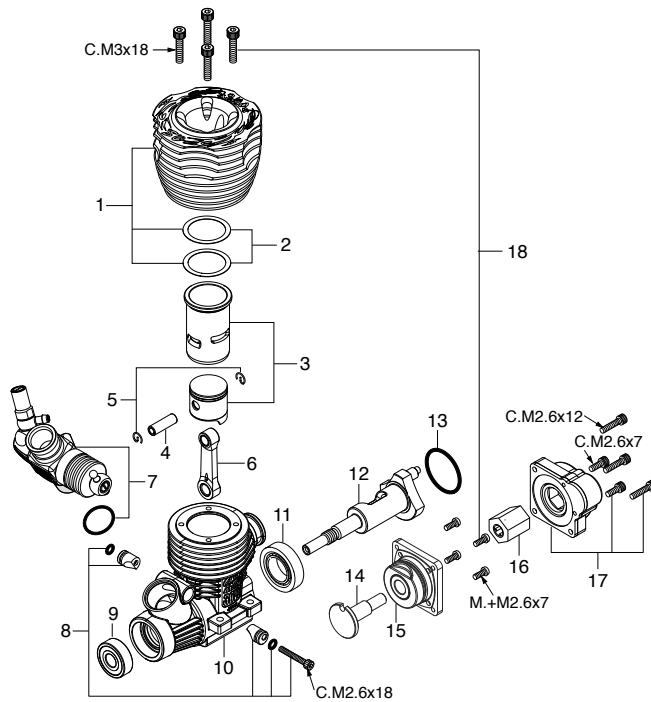
No.	Code No.	Description
1	23781400	Ball Link No.3
1-1	26381501	Retaining Screw
2	23981520	Dust Cover (21,30VG) 21E,21F,21J
3	23818340	Metering Needle Assembly 21C,21J
3-1	27881820	"O" Ring (2pcs.) (S-3)
4	22848210	Slide Valve 21J
5	71533010	Carburetor Reducer 9mm (BLUE)
5-1	22615000	"O" Ring 2A-3A,20C,20D
6	23618197	Needle Assembly 21C,21E,21F,20E,21J
6-1	46066319	"O" Ring P-3
7	22082940	Needle Holder Assembly (21M) 21XZ-R
7-1	22082950	Fuel Inlet (No.15)
8	22848160	Throttle Stop Screw (21J)
8-1	27881820	"O" Ring (S-3)
9	23781600	Mixture Control Valve Assembly 20K,21J
9-1	46066319	"O" Ring (L) (2pcs.) P-3
9-2	22781800	"O" Ring (S) (2pcs.) 10D,10F,1H-3H,20E
10	22481102	Carburetor Body (w/Thermo Insulator) 21J2(B)
10-1	23781110	Thermo Insulator 21C,21H,21E,20K
11	29015019	Carburetor Rubber Gasket 20E,60F,60MC,70D

## MAX-30VG(P)ES

Discontinued (13966)

## TYPE 21E

(23981010)



\* Type of screw

C...Cap Screw B...Binding Screw M...Oval Fillister-Head Screw  
F...Flat Head Screw T...Tapping Screw N...Round Head Screw S...Set Screw

No.	Code No.	Description
1	23924000	Heatsink Head 30VG
2	23914100	Head Gasket (0.2mm 2pcs.) 30VG(P)
3	23923000	Cylinder & Piston Assembly 30VG
4	23916000	Piston Pin 30VG,25AX
5	24517000	Piston Pin Retainer (2pcs.) 30VG,37SZ,46VX
6	23915000	Connecting Rod 30VG
7	23981010	Carburetor Complete (Type 21E) 30VG(P)
8	23981740	Carburetor Retainer Assembly 21E,21H,21J
9	23731000	Crankshaft Ball Bearing (Front) 21VZ,VG,30VG,28
10	23911000	Crankcase 30VG
11	23730020	Crankshaft Ball Bearing (Rear) 21SPEC,28XZ,30VG
12	23912010	Crankshaft 30VG(P)-X
13	23764020	Cover Gasket (S-22) 30VG,21VZ,VG
14	23912210	Starting Shaft (For Roto Start) 21-30VGES
15	23917210	Rear Adaptor (For Roto Start) 21-30VGES
16	73008200	One-way Clutch 18TZ-TX,30VG-X
17	73009200	ES Starter Assembly 30VG
18	23911300	Screw Set 30VG(P)-X
	71608001	Glow Plug No.8
	72413000	Super Air Cleaner 203 Assembly
	72413200	203 Filter Elements (4pcs.)

No.	Code No.	Description
1	22848160	Mixture Control Screw (21J)
1-1	27881820	"O" Ring (2pcs.) (S-3)
2	23618190	Needle Valve Assembly 21E,20E
2-1	23618197	Needle Assembly 21C,21E,21F,20E,21J
2-2	46066319	"O" Ring (2pcs.) (P-3)
2-3	23618194	Needle Holder Assembly 21C,21E,21F,21J
2-4	23818176	Fuel Inlet No.9
3	23981110	Carburetor Body (21E) 30VG(P)
4	23981210	Slide Valve 21E,21F
5	23981500	Metering Needle Assembly 21E 30VG(P)
5-1	27881820	"O" Ring (2pcs.) (S-3)
6	23981520	Dust Cover (21,30VG) 21E,21F,21J
7	23781400	Ball Link (No.3)
8	23781110	Thermo Insulator 21C,21H,21E,20K
9	29015019	Carburetor Rubber Gasket 20E,60F,60MC,70D

***EXPLODED VIEWS***  
***WITH CODE NUMBERS LIST***

**For Out Boat  
2-Stroke  
Glow Engine**

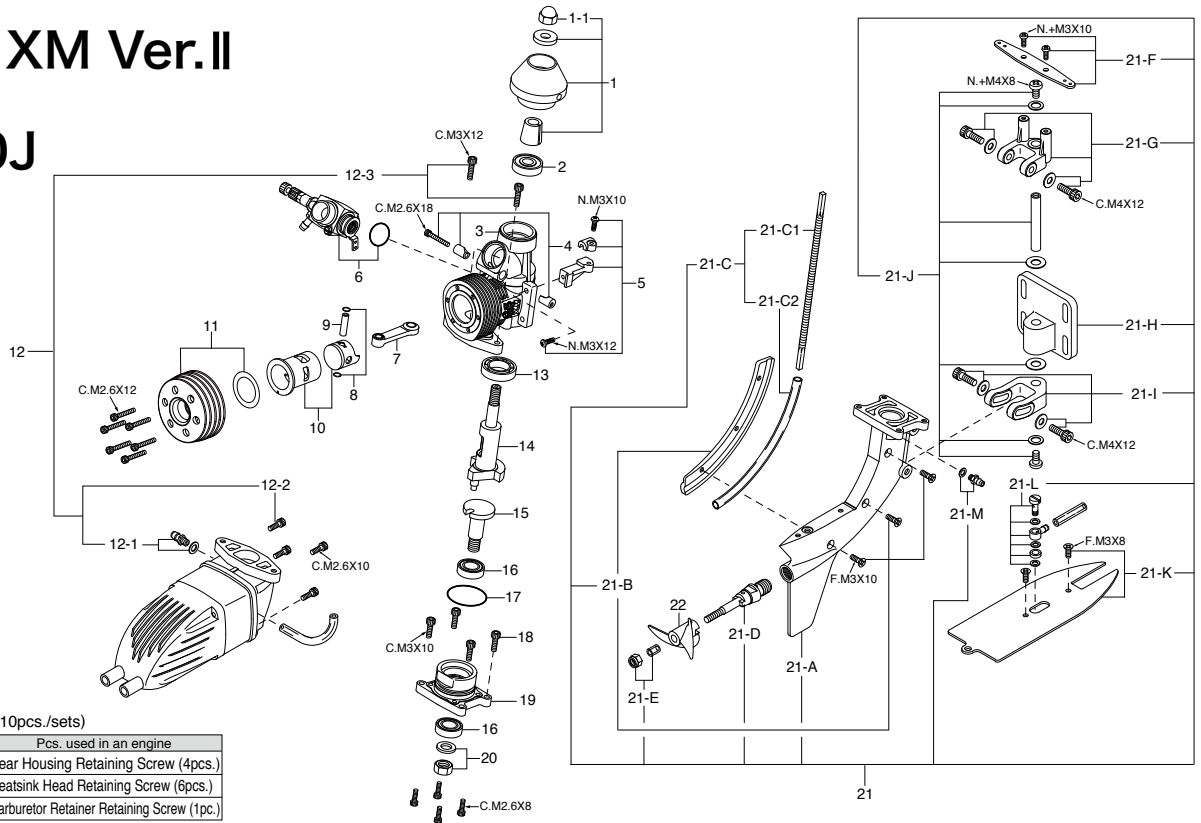


## MAX-21XM Ver.II

(13941)

### TYPE 20J

(25382000)



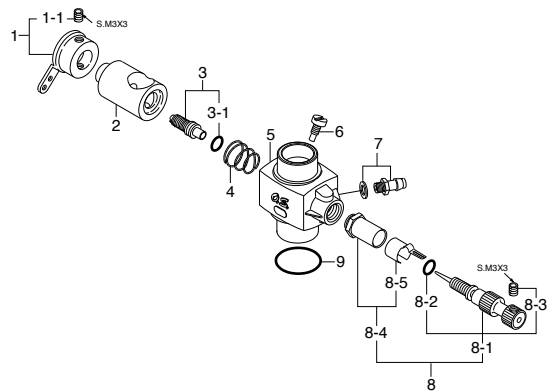
#### CAP SCREW SETS (10pcs./sets)

Code No.	Size	Pcs. used in an engine
79871025	M2.6x8	Rear Housing Retaining Screw (4pcs.)
79871040	M2.6x12	Heatsink Head Retaining Screw (6pcs.)
79871055	M2.6x18	Carburetor Retainer Retaining Screw (1pc.)

No.	Code No.	Description
1	71802100	Flywheel Assembly (No.2J) 21XM
1-1	27721700	Flywheel Nut 21XM,61HS
2	41614000	Crankshaft Ball Bearing (Front) 49-PI,21RG,XM
3	23851000	Crankcase 21XM
4	23981700	Carburetor Retainer 21RG,RZ-B,XM,91SZ
5	71532000	Throttle Linkage Bracket 21XM
6	25382000	Carburetor Complete (Type 20J) 21XM
7	23755020	Connecting Rod OS SPEED 21V-SPEC
8	21817000	Piston Pin Retainer (2pcs.) 12TG,21VG,28XZ
9	23906000	Piston Pin 21VG,RG,RZ,RX,TM,XM
10	23853000	Cylinder & Piston Assembly 21XM VER2
11	23854000	Heatsink Head Assembly 21XM VER2
11-1	23814020	Head Gasket (0.2mm) 21XM
12	23875010	E-2050-2 Silencer Assembly 21XM VER2
12-1	22681953	Nipple No.1
12-2	23875310	Silencer Assembly Screw (4pcs.) E-2050-2
12-3	23875400	Silencer Retaining Screw (2pcs.) E-2050
13	23930000	Crankshaft Ball Bearing (Rear) 21XM,RX,EX
14	23852010	Crankshaft (REV.M6x1.0) 21XM V2
15	23852100	Drive Shaft 21XM
16	22631019	Drive Shaft Ball-Bearing (1pc.) CZ,FT,FF,IL
17	23814030	Cover Gasket (S-22.4) 21XM VER2
18	23871140	Rear Housing & Board Unit Retaining Screw (4pcs.) 21XM
19	23861000	Rear Housing 21XM
20	23852200	Drive Shaft Nut 21XM
21	23871010	Outboard Unit Assembly 21XM VER2
21-A	23871100	Outboard Unit 21XM
21-B	23871200	Side Plate 21XM
21-C	23873010	Flexible Wire Assembly 21XM
21-C1	23873000	Flexible Wire 21XM
21-C2	23873100	Flexible Wire Outer Pipe 21XM
21-D	23871400	Propeller Shaft Assembly 21XM
21-E	23810000	Propeller Nut M4 21XM
21-F	23874500	Steering Arm 21XM
21-G	23874100	Upper Arm 21XM
21-H	23874000	Mount Plate 21XM
21-I	23874200	Lower Arm 21XM
21-J	23874300	Arm Shaft Assembly 21XM
21-K	23871300	Cavitation Plate 21XM
21-L	28181950	Universal Nipple L3.5 No.17
21-M	22681953	Nipple No.1
22	23870000	Marine Propeller 42mm 21XM
	71608001	Glowplug No.8

#### \*Type of screw

C...Cap Screw B...Binding Screw M...Oval Fillister-Head Screw  
F...Flat Head Screw T...Tapping Screw N...Round Head Screw S...Set Screw



No.	Code No.	Description
1	24981405	Throttle Lever Assembly 4BK-4E,20J,FF
1-1	26381501	Set-screw
2	25381203	Carburetor Rotor 4D,20J
3	26781309	Mixture Control Valve 2D-7B
3-1	24881824	" O " Ring (2pcs.) (7B)
4	26781506	Rotor Spring 2D-7B,20C,40B,60C
5	25382100	Carburetor Body (20J) 21XM
6	25381220	Rotor Guide Screw 4D
7	22681953	Fuel Inlet (No.1)
8	27881900	Needle Valve Assembly 20J,2D-5B,6B
8-1	24981959	Needle Assembly 20J,2D-5B,6B
8-2	24981837	" O " Ring (2pcs.)
8-3	26381501	Set-screw
8-4	27381940	Needle Valve Holder Assembly 20C,60U,70D,7H
8-5	26711305	Ratchet Spring No.4
9	29015019	Carburetor Rubber Gasket 20E,60F,60MC,70D



***EXPLODED VIEWS  
WITH CODE NUMBERS LIST***

**For Airplane  
Helicopter  
Brushless Motors**

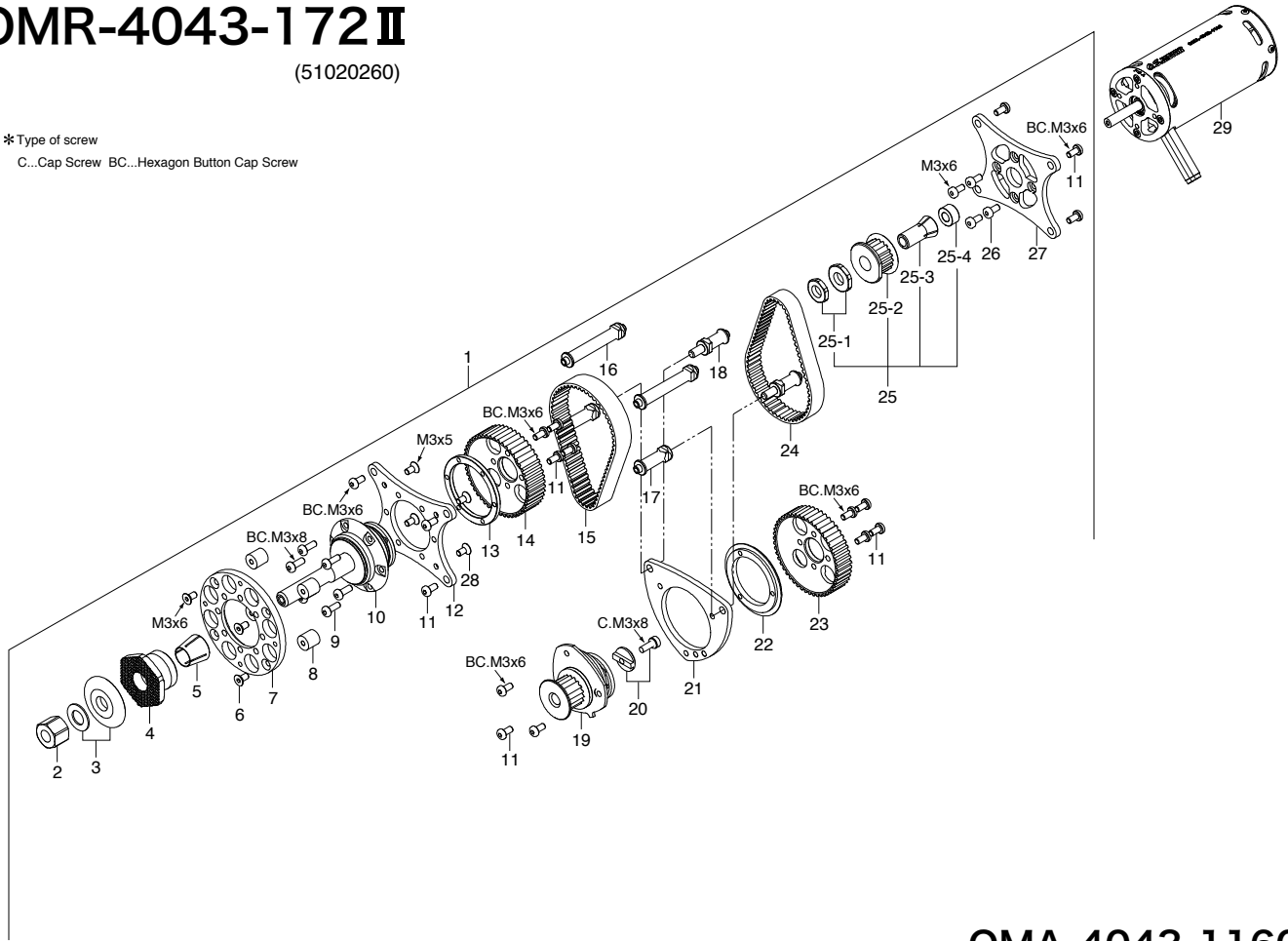


# OMR-4043-172 II

(51020260)

\*Type of screw

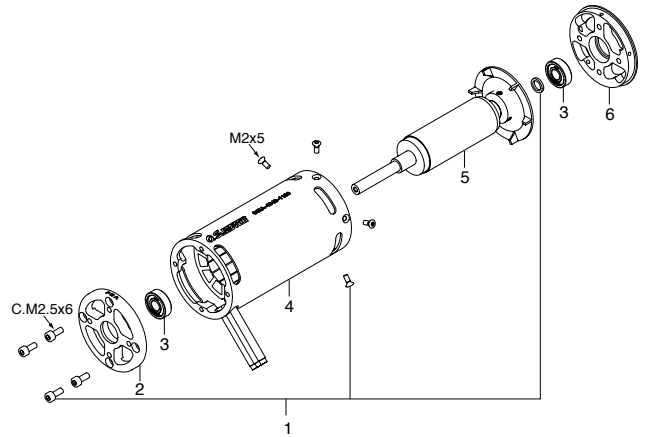
C...Cap Screw BC...Hexagon Button Cap Screw



# OMA-4043-1160

(51020140)

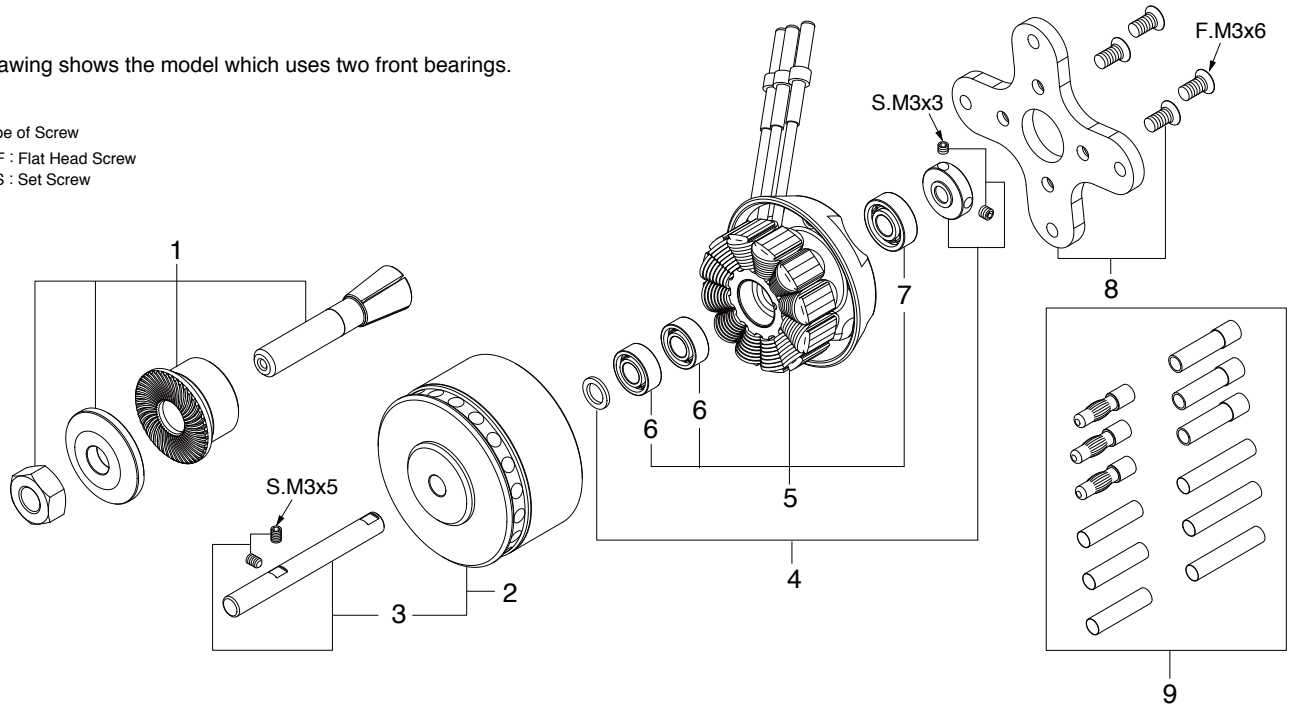
No.	Code No.	Description
1	51020270	RU-02 Motor Reduction Gear Unit
2	74004080	Propeller Nut For RU-01
3	74004081	Propeller Washer For RU-01
4	74004143	Drive Washer For RU-02
5	74004083	Drive Collet For RU-01
6	74004146	Float Rubber Retaining Screw M3x6 (10pcs.) For RU-02
7	74004085	Front Mounting Plate-A For RU-01
8	74004144	Float Rubber (4pcs.) For RU-02
9	79874000	Button Cap Screw M3x8 (10pcs.) TITANIUM
10	74004087	Front Housing Assembly For RU-01
11	79874010	Button Cap Screw M3x6 (10pcs.) TITANIUM
12	74004147	Front Plate For RU-02
13	74004094	Front Housing Support For RU-01
14	74004148	Pulley (L) P48 For RU-2 Front side
15	74004145	Belt P186 For RU-2 Front side
16	74004097	Long Stay (2pcs.) For RU-01
17	74004098	Short Stay-B (2pcs.) For RU-01 Front side
18	74004099	Short Stay-A (2pcs.) For RU-01 Rear side
19	74004149	Middle Housing Assembly For RU-02
20	74004101	Key Flange Set M3x8 For RU-01
21	74004102	Middle Plate For RU-01
22	74004103	Middle Housing Support For RU-01
23	74004095	Pulley (L) P48 For RU-01 Rear side
24	74004096	Belt P186 For RU-1 Rear side
25	74004104	Motor Pulley Set For RU-01
25-1	74004105	Motor Pulley Nuts For RU-01
25-2	74004106	Pulley (S) P19 For RU-01 Rear side
25-3	74004107	Motor Pulley Collet For RU-01
25-4	74004108	Motor Pulley Spacer For RU-01
26	74004109	Motor Retaining Screw M3x6 (4pcs.) For RU-01
27	74004110	Motor Plate For RU-01
28	74004154	Rubber Retaining Screw M3x5 (10pcs.) For RU-02
29	51020140	OMA-4043-1160
	74004086	Front Mounting Plate-B For RU-01
	74004111	Rear Mounting Plate Set For RU-01



No.	Code No.	Description
1	74004074	Screw Set
2	74004075	Front Cover
3	74004006	Bearing (1pc.)
4	74004076	Stator Assembly
5	74004077	Rotor Assembly
6	74004078	Rear Cover

\* Drawing shows the model which uses two front bearings.

\* Type of Screw  
F : Flat Head Screw  
S : Set Screw



**OMA-3815-1000-W**

(51015000) (One front bearing is used.)

No.	Code No.	Description
1	74004043	Propeller Shaft Set
2	74004170	Middle Ring Assembly
3	74004158	Main Shaft
4	74004004	Security Ring
5	74004171	Stator Assembly
6	74004007	Bearing (F)
7	74004006	Bearing (R)
8	74004001	Motor Mount
9	74004005	Connector Set

**OMA-3825-750-W**

(51012100) (Two front bearings are used.)

No.	Code No.	Description
1	74004000	Propeller Shaft Set
2	74004155	Middle Ring Assembly
3	74004056	Main Shaft
4	74004004	Security Ring
5	74004156	Stator Assembly
6	74004007	Bearing (F) (1pc.)
7	74004006	Bearing (R)
8	74004001	Motor Mount
9	74004005	Connector Set

**OMA-3810-1050**

(51010910) (One front bearing is used.)

No.	Code No.	Description
1	74004039	Propeller Shaft Set
2	74004036	Middle Ring Assembly
3	74004037	Main Shaft
4	74004038	Security Ring
5	74004035	Stator Assembly
6	74004019	Bearing (F)
7	74004018	Bearing (R)
8	74004001	Motor Mount
9	74004005	Connector Set

**OMA-3820-960** (Discontinued)

(51011100) (Two front bearings are used.)

No.	Code No.	Description
1	74004000	Propeller Shaft Set
2	74004045	Middle Ring Assembly
3	74004046	Main Shaft
4	74004004	Security Ring
5	74004044	Stator Assembly
6	74004007	Bearing (F) (1pc.)
7	74004006	Bearing (R)
8	74004001	Motor Mount
9	74004005	Connector Set

**OMA-3805-1200**

(51010905) (One front bearing is used.)

No.	Code No.	Description
1	74004039	Propeller Shaft Set
2	74004033	Middle Ring Assembly
3	74004034	Main Shaft
4	74004038	Security Ring
5	74004032	Stator Assembly
6	74004031	Bearing (F)
7	74004018	Bearing (R)
8	74004001	Motor Mount
9	74004005	Connector Set

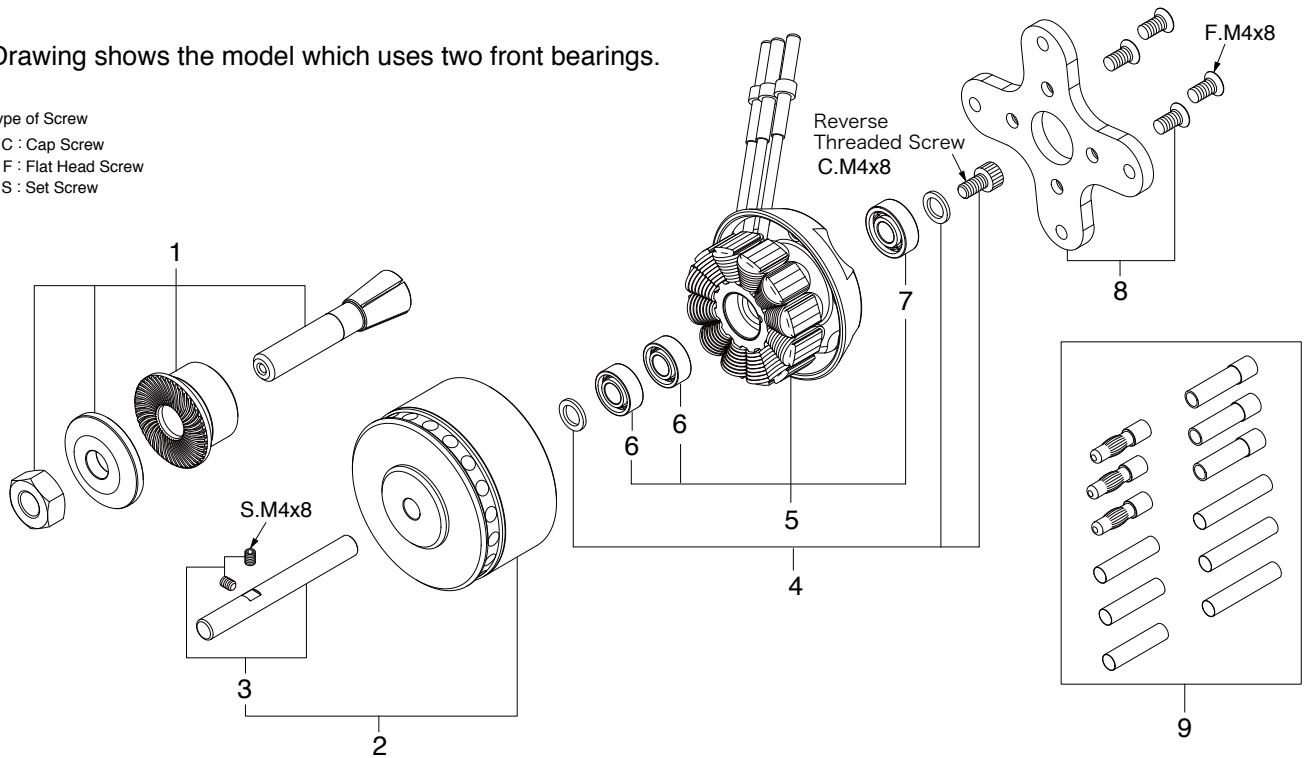
**OMA-3820-1200-W**

(51011210) (Two front bearings are used.)

No.	Code No.	Description
1	74004000	Propeller Shaft Set
2	74004166	Middle Ring Assembly
3	74004014	Main Shaft
4	74004004	Security Ring
5	74004167	Stator Assembly
6	74004007	Bearing (F) (1pc.)
7	74004006	Bearing (R)
8	74004001	Motor Mount
9	74004005	Connector Set

\* Drawing shows the model which uses two front bearings.

\* Type of Screw  
C : Cap Screw  
F : Flat Head Screw  
S : Set Screw



**OMA-5025-375**

(51014000) (Two front bearings are used.)

No.	Code No.	Description
1	74004002	Propeller Shaft Set
2	74004027	Middle Ring Assembly
3	74004025	Main Shaft
4	74004024	Main Shaft Stopper Set
5	74004026	Stator Assembly
6	74004009	Bearing (F) (1pc.)
7	74004008	Bearing (R)
8	74004003	Motor Mount
9	74004023	Connector Set

**OMA-5015-650**

(51020160) (One front bearings are used.)

No.	Code No.	Description
1	74004002	Propeller Shaft Set
2	74004139	Middle Ring Assembly
3	74004140	Main Shaft
4	74004024	Main Shaft Stopper Set
5	74004138	Stator Assembly
6	74004009	Bearing (F)
7	74004008	Bearing (R)
8	74004003	Motor Mount
9	74004023	Connector Set

**OMA-5020-490**

(51013010) (Two front bearings are used.)

No.	Code No.	Description
1	74004002	Propeller Shaft Set
2	74004151	Middle Ring Assembly
3	74004020	Main Shaft
4	74004024	Main Shaft Stopper Set
5	74004153	Stator Assembly
6	74004009	Bearing (F) (1pc.)
7	74004008	Bearing (R)
8	74004003	Motor Mount
9	74004023	Connector Set

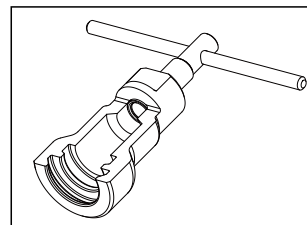
**OMA-5010-810**

(51012910) (One front bearing is used.)

No.	Code No.	Description
1	74004002	Propeller Shaft Set
2	74004150	Middle Ring Assembly
3	74004030	Main Shaft
4	74004024	Main Shaft Stopper Set
5	74004152	Stator Assembly
6	74004009	Bearing (F)
7	74004008	Bearing (R)
8	74004003	Motor Mount
9	74004023	Connector Set

**■ O.S. GENUINE ACCESSORIES**

■ Motor Drive Washer Puller DP1  
(71510010)

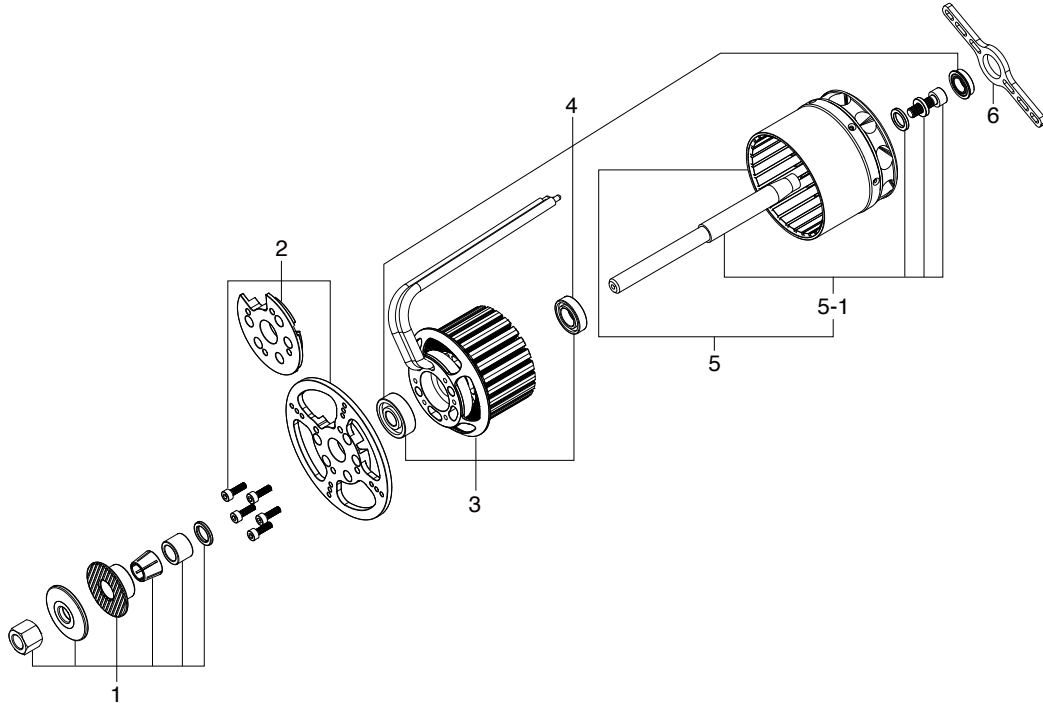


Type of Motor

- OMA-3820-1200-W
- OMA-3820-960 (Discontinued)
- OMA-3825-750-W
- OMA-5010-810
- OMA-5020-490
- OMA-5025-375

# OMA-6030-220

(51021000)

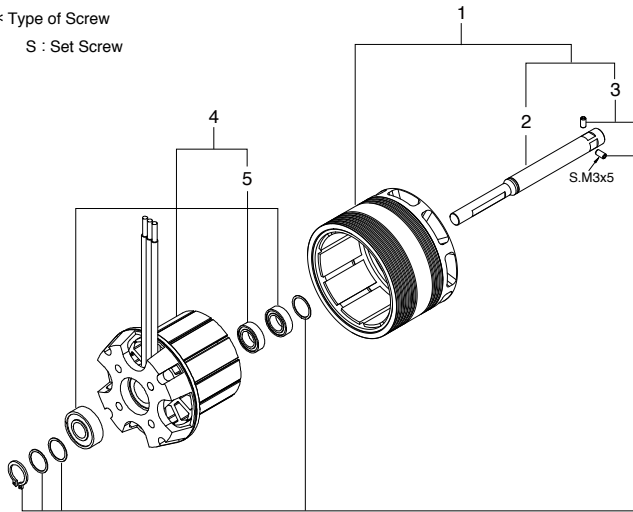


No.	Code No.	Description
1	74004163	Propeller Washer Set
2	74004162	Mount Set
3	74004160	Stator Assembly
4	74004161	Bearing Set (3pcs.)
5	74004159	Middle Ring Assembly
5-1	74004165	Main Shaft
6	74004164	Rear Supporter

# OMH-5825-520

(51020210)

\* Type of Screw  
S : Set Screw

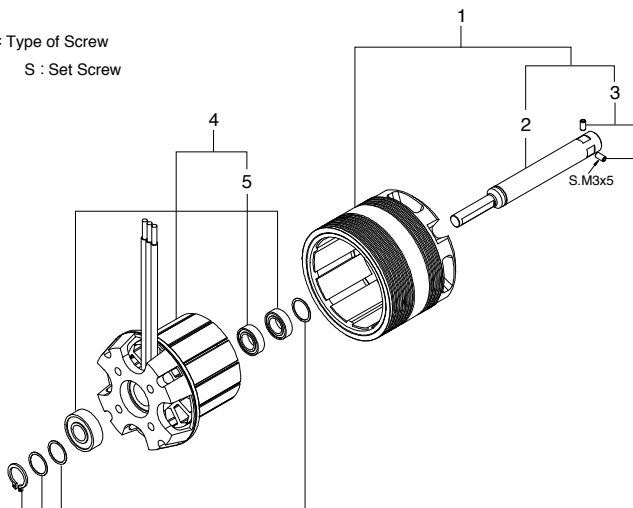


No.	Code No.	Description
1	74004135	Middle Ring Assembly
2	74004136	Main Shaft
3	74004137	Main Shaft Stopper Set
4	74004133	Stator Assembly
5	74004134	Bearing Set (3pcs.)

# OMH-5830-490

(51020180)

\* Type of Screw  
S : Set Screw



No.	Code No.	Description
1	74004122	Middle Ring Assembly
2	74004123	Main Shaft
3	74004132	Main Shaft Stopper Set
4	74004121	Stator Assembly
5	74004131	Bearing Set (3pcs.)



**小川精機株式会社**

〒546-0003 大阪市東住吉区今川3丁目6-15  
電話 (06)6702-0225 (代) FAX (06)6704-2722  
OSエンジンサービス係 電話 (06)6702-0230 (代)

***O.S. ENGINES* MFG.CO.,LTD.**

6-15 3-Chome Imagawa Higashisumiyoshi-ku  
Osaka 546-0003, Japan TEL. (06) 6702-0225  
FAX. (06) 6704-2722  
URL : <http://www.os-engines.co.jp>