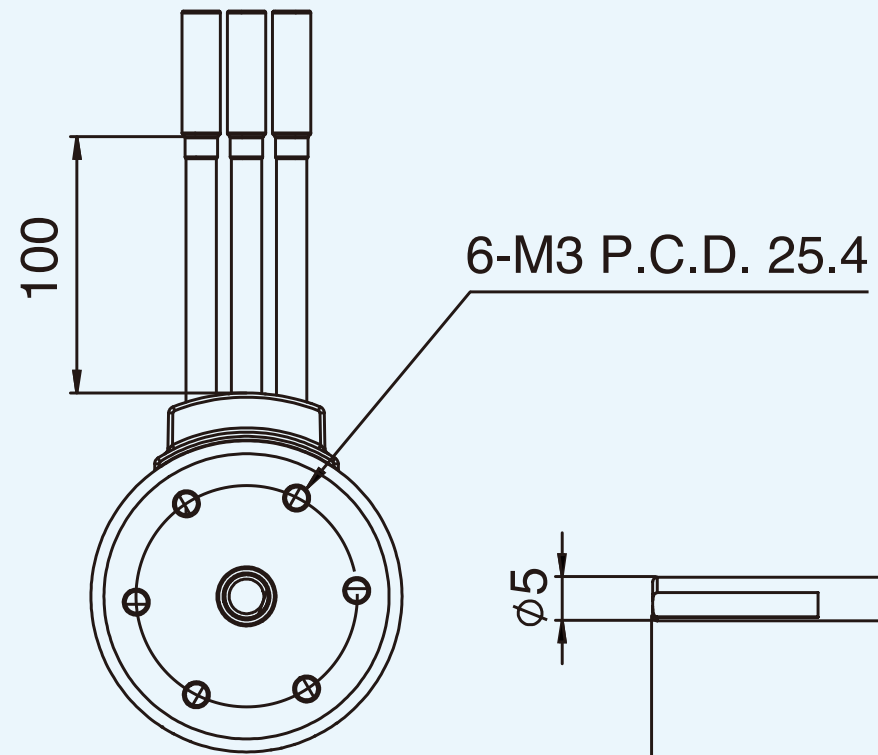


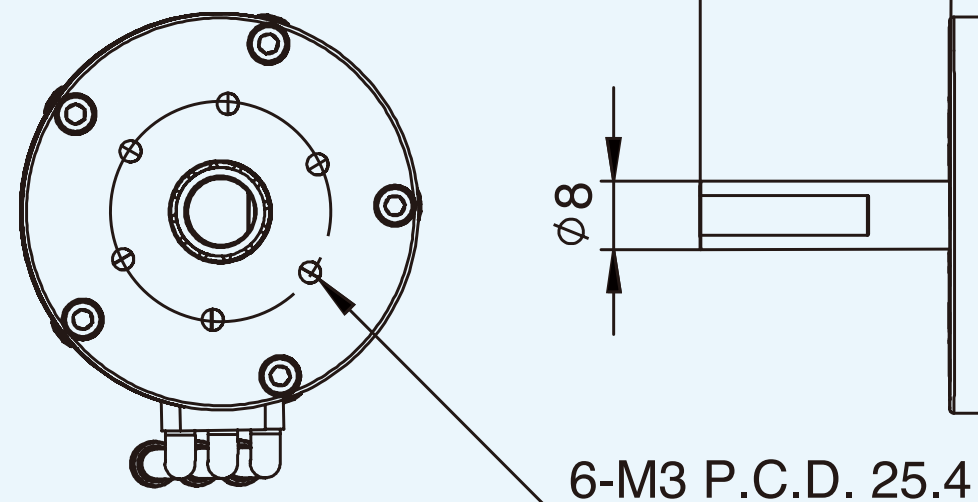
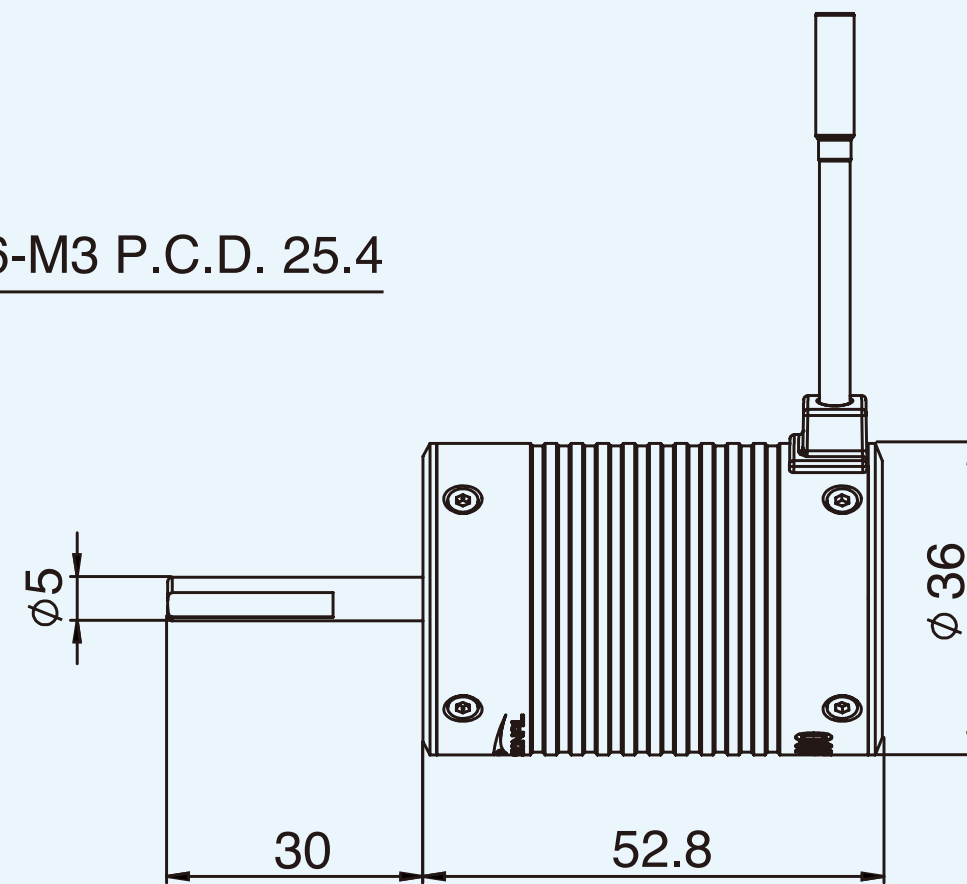
寸法図(mm)

Dimensions

**O.S.**  
PROFESSIONAL



**OGA-100**



**OGA-200**

