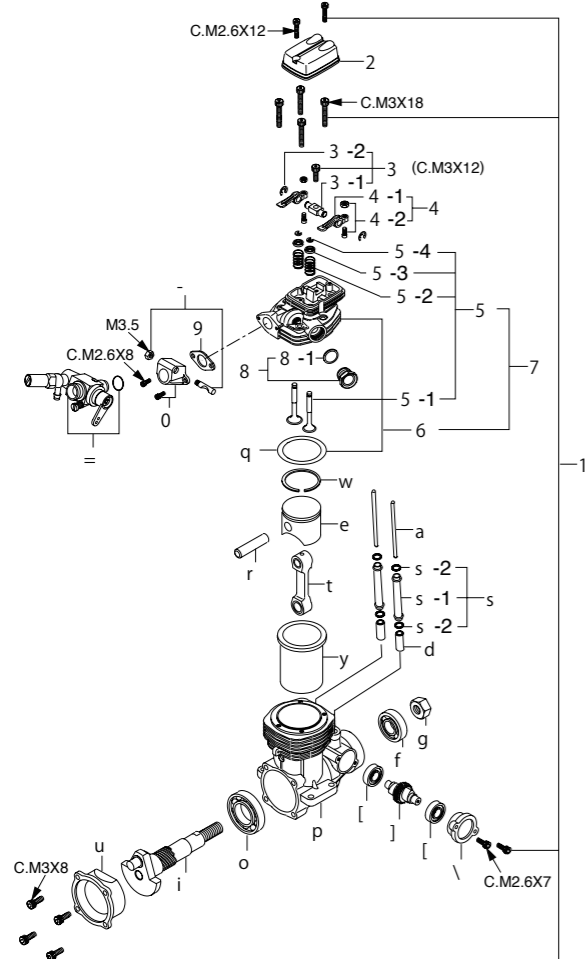


### FS-40S-C EXPLODED VIEW

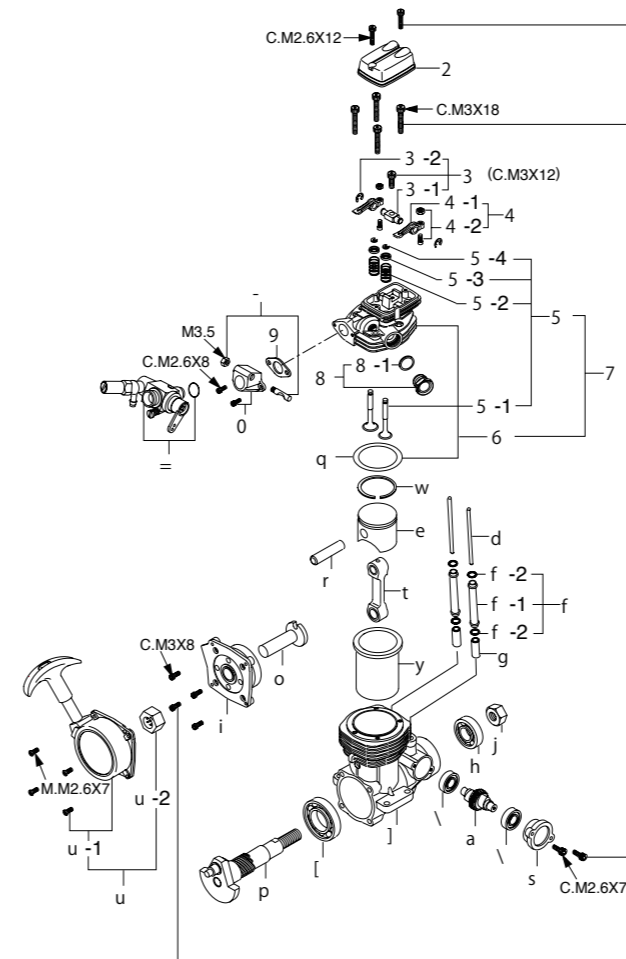


Type of screw  
 C...Cap Screw B...Binding Head Screw M...Oval Fillister-Head Screw  
 F...Flat Head Screw N...Round Head Screw S...Set Screw

No.	Code No.	Description
1	4 5213 010	Screw Set
2	4 5204 250	Rocker Cover
3	4 5261 400	Rocker Support Assembly
3 -1	4 5261 410	Rocker Support
3 -2	4 5761 600	Rocker Arm Retainer (2pcs.)
4	4 5261 010	Rocker Arm Assembly (1pair)
4 -1	4 5261 110	Rocker Arm (1pc.)
4 -2	4 5761 200	Tappet Adjusting Screw
5	4 5260 050	Valve Assembly (1pair)
5 -1	4 4261 100	Valve (1pc.)
5 -2	4 5260 250	Valve Spring (1pc.)
5 -3	4 5260 350	Valve Spring Seat (1pc.)
5 -4	4 6160 400	Valve Spring Retainer (2pcs.)
6	4 5204 150	Cylinder Head w/Gasket
7	4 5204 050	Cylinder Head Assembly w/Gasket and Valve Assembly
8	4 5169 200	Exhaust Pipe Lock Nut
8 -1	4 5169 210	Exhaust Gasket(2pcs.)
9	2 1381 950	Insulator
0	4 5269 400	Intake Pipe Assembly
-	2 1481 700	Carburetor Retainer
=	4 5285 000	Carburetor Complete (40P)
q	4 5214 100	Cylinder Head Gasket
w	2 4203 410	Piston Ring
e	4 5203 210	Piston
r	2 3356 000	Piston Pin
t	4 5205 000	Connecting Rod
y	4 5203 100	Cylinder Liner
u	4 5207 050	Cover Plate
i	4 5202 050	Crankshaft
o	2 2630 002	Crankshaft Ball Bearing (Rear)
p	4 5201 050	Crankcase
[	4 5231 100	Camshaft Ball Bearing
]	4 5262 050	Camshaft
\	4 5201 150	Cam Cover
a	4 5266 010	Push Rod (2pcs.)
s	4 5266 102	Push Rod Cover Assembly (2pcs.)
s -1	4 5266 112	Push Rod Cover (1pcs.)
s -2	2 4881 824	Push Rod Cover "O"Ring (2pcs.)
d	4 5264 000	Cam Follower (2pcs.)
f	4 5231 000	Crankshaft Ball Bearing (Front)
g	2 3210 007	Propeller Nut
7	1615 009	Glow Plug Type F
7	2403 202	Super Air Cleaner 102S(W/3 filter elements)
7	2403 212	102S Cleaner Body
7	2403 120	101,102 Filter Element (6pcs.)

Specifications are subject to alteration for improvement without notice.

### FS-40S-CX EXPLODED VIEW

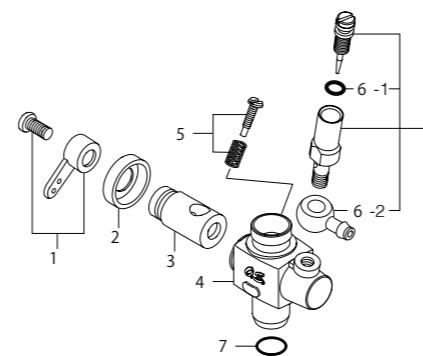


Type of screw  
 C...Cap Screw B...Binding Head Screw M...Oval Fillister-Head Screw  
 F...Flat Head Screw N...Round Head Screw S...Set Screw

No.	Code No.	Description
1	4 5213 010	Screw Set
2	4 5204 250	Rocker Cover
3	4 5261 400	Rocker Support Assembly
3 -1	4 5261 410	Rocker Support
3 -2	4 5761 600	Rocker Arm Retainer (2pcs.)
4	4 5261 010	Rocker Arm Assembly (1pair)
4 -1	4 5261 110	Rocker Arm (1pc.)
4 -2	4 5761 200	Tappet Adjusting Screw
5	4 5260 050	Valve Assembly (1pair)
5 -1	4 4261 100	Valve (1pc.)
5 -2	4 5260 250	Valve Spring (1pc.)
5 -3	4 5260 350	Valve Spring Seat (1pc.)
5 -4	4 6160 400	Valve Spring Retainer (2pcs.)
6	4 5204 150	Cylinder Head w/Gasket
7	4 5204 050	Cylinder Head Assembly w/Gasket and Valve Assembly
8	4 5169 200	Exhaust Pipe Lock Nut
8 -1	4 5169 210	Exhaust Gasket(2pcs.)
9	2 1381 950	Insulator
0	4 5269 400	Intake Pipe Assembly
-	2 1481 700	Carburetor Retainer
=	4 5285 000	Carburetor Complete (40P)
q	4 5214 100	Cylinder Head Gasket
w	2 4203 410	Piston Ring
e	4 5203 210	Piston
r	2 3356 000	Piston Pin
t	4 5205 000	Connecting Rod
y	4 5203 100	Cylinder Liner
u	7 3004 000	No.6 Recoil Starter Assembly
u -1	7 3004 100	No.6 Recoil Starter Body
u -2	7 3003 200	No.5 One-way Clutch
i	4 5221 100	Rear Adaptor
o	4 5221 200	Starting Shaft
p	4 5202 060	Crankshaft
[	2 2630 002	Crankshaft Ball Bearing (Rear)
]	4 5201 050	Crankcase
\	4 5231 100	Camshaft Ball Bearing
a	4 5262 050	Camshaft
s	4 5201 150	Cam Cover
d	4 5266 010	Push Rod (2pcs.)
f	4 5266 102	Push Rod Cover Assembly (2pcs.)
f -1	4 5266 112	Push Rod Cover (1pcs.)
f -2	2 4881 824	Push Rod Cover "O"Ring (2pcs.)
g	4 5264 000	Cam Follower (2pcs.)
h	4 5231 000	Crankshaft Ball Bearing (Front)
j	2 3210 007	Propeller Nut
7	1615 009	Glow Plug Type F
7	2404 300	Engine Mount Spacer
7	2403 202	Super Air Cleaner 102S(W/3 filter elements)
7	2403 212	102S Cleaner Body
7	2403 120	101,102 Filter Element (6pcs.)

Specifications are subject to alteration for improvement without notice.

### CARBURETTOR EXPLODED VIEW & PARTS LIST



No.	Code No.	Description
1	2 2081 408	Throttle Lever Assembly
2	2 1283 210	Carburetor Dust Cover
3	4 5285 200	Carburetor Rotor
4	4 5285 100	Carburetor Body
5	2 2681 310	Throttle Stop Screw
6	2 1481 900	Needle-valve Assembly
6 -1	2 7881 820	"O" Ring(2pcs.)
6 -2	2 1481 950	Universal Nipple
7	2 2615 000	Carburetor Rubber Gasket

Specifications are subject to alteration for improvement without notice.

Type of screw  
 C...Cap Screw M...Oval Fillister-head Screw F...Flat Head Screw  
 N...Round Head Screw S...Set Screw