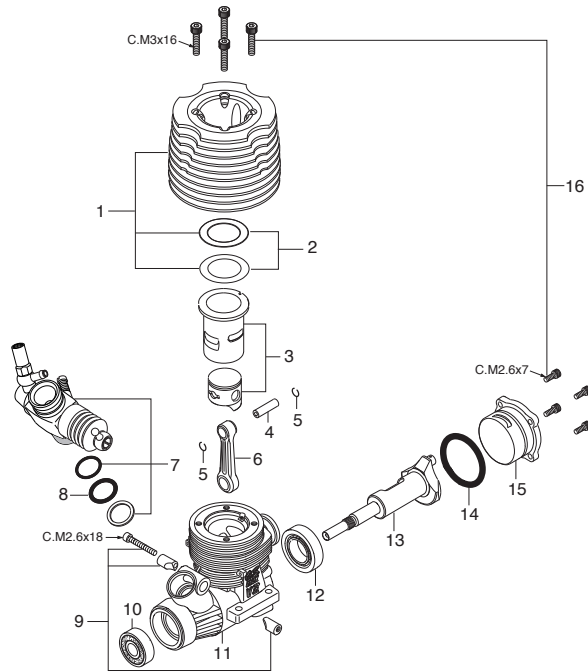


ENGINE EXPLODED VIEW



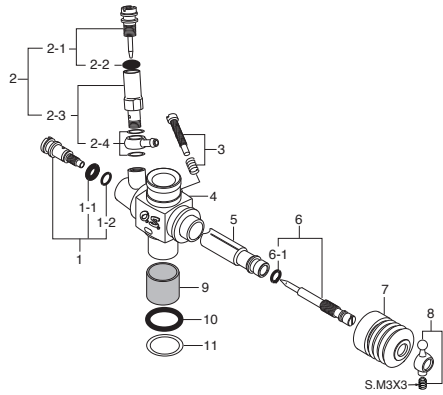
* Type of screw C...Cap Screw M...Oval Fillister-Head Screw
 F...Flat Head Screw N...Round Head Screw S...Set Screw

ENGINE PARTS LIST

No.	Code No.	Description
1	22104000	Heatsink Head
2	23764010	Head Gasket
3	22103000	Cylinder & Piston Assembly
4	23906000	Piston Pin
5	23817000	Piston Pin Retainer (2pcs.)
6	23755000	Connecting Rod
7	22181000	Carburetor Complete (Type 20L)
8	23715000	Carburetor Sealing Gasket
9	23981700	Carburetor Retainer Assembly
10	23731000	Crankshaft Ball Bearing (Front)
11	22101000	Crankcase
12	23730010	Crankshaft Ball Bearing (Rear)
13	22102000	Crankshaft
14	23764020	Cover Gasket
15	23757000	Cover Plate
16	23763000	Screw Set
	71605100	Glow Plug A5
	22826140	Exhaust Seal Ring
	72413000	Super Air Cleaner 203 Assembly
	72413200	203 Filter Elements (4pcs.)
	22884250	Dust Cap Set (∅3, ∅16, ∅18)

The specifications are subject to alteration for improvement without notice.

CARBURETOR EXPLODED VIEW & PARTS LIST



* Type of screw

C...Cap Screw M...Oval Fillister-Head Screw
F...Flat Head Screw N...Round Head Screw S...Set Screw

No.	Code No.	Description
1	23781600	Mixture Control Valve Assembly
1-1	46066319	"O" Ring (L) (2pcs.)
1-2	22781800	"O" Ring (S) (2pcs.)
2	23618190	Needle Valve Assembly
2-1	23618197	Needle Assembly
2-2	46066319	"O" Ring (2pcs.)
2-3	23618194	Needle Holder Assembly
2-4	23818176	Fuel Inlet (No.9)
3	23818500	Throttle Stop Screw
4	22181100	Carburetor Body (w/Thermo Insulator)
5	22181200	Slide Valve
6	22181600	Metering Needle Assembly
6-1	27881820	"O" Ring (2pcs.)
7	22884220	Dust Cover
8	23781400	Ball Link No.3
9	23781110	Thermo Insulator
10	29015019	Carburetor Rubber Gasket
11	23818190	Carburetor Sealing Washer

The specifications are subject to alteration for improvement without notice.

O.S. SPEED
RACING ENGINE PARTS

O.S. GENUINE PARTS & ACCESSORIES

■ GLOWPLUG

A5 (71605100) **No.8** (71608001)

■ T-2030 TUNED SILENCER

(72106030)

■ 21RZ EXHAUST

HEADER PIPE (72101270)

■ T-2050 TUNED SILENCER COMPLETE SET

(72106070)

- T-2050 Tuned Silencer Assembly (72106060)
- T-2050 Exhaust Header Pipe Assembly (72106150)

■ T-2050 TUNED SILENCER ASSEMBLY

(72106060)

- T-2050 Tuned Silencer Body (72106061)
- Pressure Nipple (72106041)
- Exhaust Seal Ring (2pcs.) (22826140)
- Joint Spring (3pcs.) (72106042)

■ T-2040 TUNED SILENCER ASSEMBLY

(72106040)

- T-2040 Tuned Silencer Body (72106043)
- Pressure Nipple (72106041)
- Exhaust Seal Ring (2pcs.) (22826140)
- Joint Spring (3pcs.) (72106042)

■ T-2050 EXHAUST HEADER PIPE ASSEMBLY

(72106150)

- Exhaust Header Pipe (72106155)
- Header Pipe Spring (2pcs.) (72101272)
- Exhaust Seal Ring (2pcs.) (22826140)

■ T-2040 EXHAUST HEADER PIPE ASSEMBLY

(72106140)

- Exhaust Header Pipe (72106141)
- Header Pipe Spring (2pcs.) (72106142)
- Exhaust Seal Ring (2pcs.) (22826140)

The specifications are subject to alteration for improvement without notice.