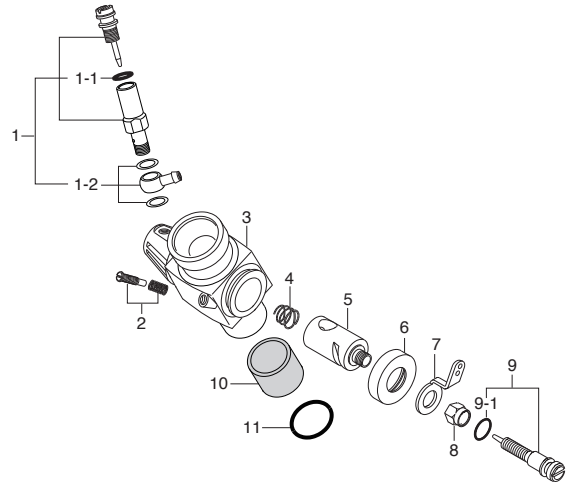
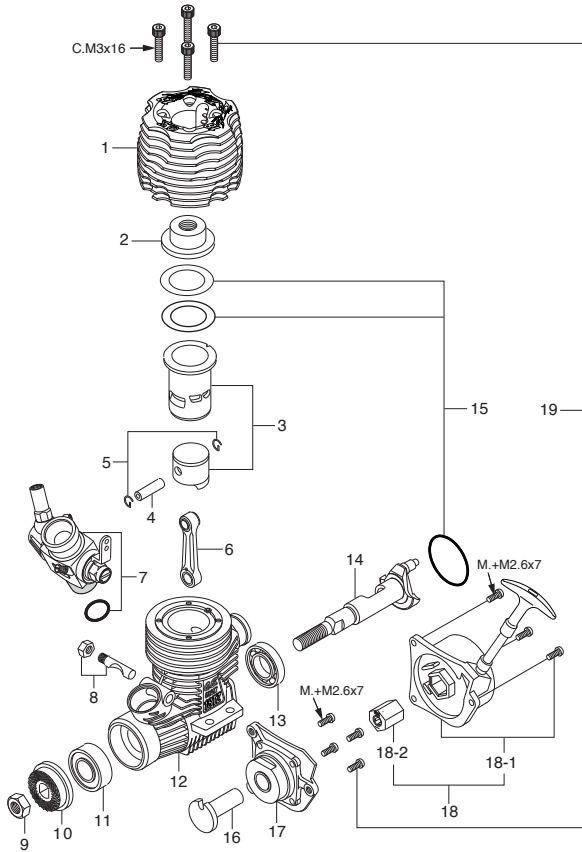


MAX-18TZ-TX

(11943)

TYPE 11L

(21884010)



* Type of screw
 C...Cap Screw M...Oval Fillister-Head Screw
 F...Flat Head Screw N...Round Head Screw S...Set Screw

No.	Code No.	Description
1	21914010	Outer Head
2	21914110	Inner Head
3	21913010	Cylinder & Piston Assembly
4	21816000	Piston Pin
5	21817000	Piston Pin Retainer (2pcs.)
6	21915000	Connecting Rod
7	21884010	Carburetor Complete (Type 11L)
8	25381701	Carburetor Retainer Assembly
9	20810007	Propeller Nut
10	21458000	Drive Hub
11	23731000	Crankshaft Ball Bearing (Front)
12	21911010	Crankcase
13	21931000	Crankshaft Ball Bearing (Rear)
14	21912040	Crankshaft
15	21824000	Gasket Set
16	21922000	Starting Shaft
17	21901800	Rear Adaptor
18	73008000	No.N1 Recoil Starter Assembly
18-1	73008100	No.N1 Recoil Starter Body
18-2	73008200	No.N1 One-way Clutch
19	21923000	Screw Set
	71641300	Glow Plug P3
	21427200	Exhaust Seal Ring

No.	Code No.	Description
1	21285901	Needle Valve Assembly
1-1	27881820	"O" Ring (2pcs.)
1-2	21881950	No.14 Universal Nipple Assembly
2	22681310	Throttle Stop Screw
3	21884110	Carburetor Body (w/Thermo Insulator)
4	22481506	Rotor Spring
5	21884200	Carburetor Rotor
6	21283210	Dust Cover
7	22681419	Throttle Lever
8	21481420	Throttle Lever Fixing Nut
9	21982630	Mixture Control Screw
9-1	27881820	"O" Ring (2pcs.)
10	21982900	Thermo Insulator
11	22615000	Carburetor Rubber Gasket