

# O.S. ENGINE

*Injection Power*



# MAX 140RX FI

---

**Electronic  
Fuel Injection  
System**

---

## OWNER'S INSTRUCTION MANUAL

It is of vital importance, before attempting to operate your engine, to read the general '**SAFETY INSTRUCTIONS AND WARNINGS**' section on pages 2-4 of this booklet and to strictly adhere to the advice contained therein.

- Also, please study the entire contents of this instruction manual, so as to familiarize yourself with the controls and other features of the engine.
- Keep these instructions in a safe place so that you may readily refer to them whenever necessary.
- It is suggested that any instructions supplied with the aircraft, radio control equipment, etc., are accessible for checking at the same time.

---

# CONTENTS


<b>SAFETY INSTRUCTIONS AND WARNINGS ABOUT YOUR O.S. ENGINE</b> .....	2-4
<b>INTRODUCTION, FEATURES</b> .....	5
<b>BASIC ENGINE PARTS</b> .....	6
<b>CONNECTING WITH THE EC-1</b> .....	7
<b>EC-1 DISPLAYS AND EXPLANATIONS</b> .....	8-9
<b>LIST OF 140RX-FI USAGE CONDITIONS</b> .....	10
<b>INSTALLATION PROCEDURE</b> .....	10-11
<b>LINKAGE AND INITIAL SETTINGS</b> .....	11-13
<b>ENGINE STARTING AND AIR-FUEL MIXTURE ADJUSTMENT</b> .....	13
<b>ENGINE STARTING</b> .....	14-15
<b>FLIGHT ADJUSTMENT</b> .....	15-16
<b>GLOW PLUG</b> .....	16
<b>CARE &amp; MAINTENANCE</b> .....	17
<b>TROUBLESHOOTING</b> .....	18
<b>THREE VIEW DRAWING &amp; GENUINE PARTS &amp; ACCESSORIES</b> .....	19
<b>EXPLODED VIEW</b> .....	20
<b>PARTS LIST</b> .....	21


# SAFETY INSTRUCTIONS AND WARNINGS ABOUT YOUR O.S. ENGINE






Remember that your engine is not a " toy ", but a highly efficient internal-combustion machine whose power is capable of harming you, or others, if it is misused or abused. As owner, you, alone, are responsible for the safe operation of your engine, so act with discretion and care at all times.

If at some future date, your O.S. engine is acquired by another person, we would respectfully request that these instructions are also passed on to its new owner.

■ The advice which follows is grouped under two headings according to the degree of damage or danger which might arise through misuse or neglect.

 <b>WARNINGS</b>	These cover events which might involve serious (in extreme circumstances, even fatal ) injury.
--	--

 <b>NOTES</b>	These cover the many other possibilities, generally less obvious sources of danger, but which, under certain circumstances, may also cause damage or injury.
---	--

 <b>WARNINGS</b>	
<ul style="list-style-type: none"><li>• Never touch, or allow any object to come into contact with, the rotating propeller and do not crouch over the engine when it is running.</li></ul>	
<ul style="list-style-type: none"><li>• A weakened or loose propeller may disintegrate or be thrown off and, since propeller tip speeds with powerful engines may exceed 600 feet(180 metres) per second, it will be understood that such a failure could result in serious injury, (see 'NOTES' section relating to propeller safety).</li></ul>	
<ul style="list-style-type: none"><li>• Model engine fuel is poisonous. Do not allow it to come into contact with the eyes or mouth. Always store it in a clearly marked container and out of the reach of children.</li></ul>	
<ul style="list-style-type: none"><li>• Model engine fuel is also highly flammable. Keep it away from open flame, excessive heat, sources of sparks, or anything else which might ignite it. Do not smoke or allow anyone else to smoke, near to it.</li></ul>	
<ul style="list-style-type: none"><li>• Never operate your engine in an enclosed space. Model engines, like automobile engines, exhaust deadly carbon-monoxide. Run your engine only in an open area.</li></ul>	
<ul style="list-style-type: none"><li>• Model engines generate considerable heat. Do not touch any part of your engine until it has cooled. Contact with the muffler(silencer), cylinder head or exhaust header pipe, in particular, may result in a serious burn.</li></ul>	



# NOTES

- This engine was designed for model aircraft. Do not attempt to use it for any other purpose.
- Mount the engine in your model securely, following the manufacturers' recommendations, using appropriate screws and locknuts.
- Be sure to use the silencer (muffler) supplied with the engine. Frequent exposure to an open exhaust may eventually impair your hearing. Such noise is also likely to cause annoyance to others over a wide area.
- Fit a top-quality propeller of the diameter and pitch specified for the engine and aircraft. Locate the propeller on the shaft so that the curved face of the blades faces forward-i.e. in the direction of flight. Firmly tighten the propeller nut, using the correct size wrench.
- Always check the tightness of the propeller nut and retighten it, if necessary, before restarting the engine, particularly in the case of four-stroke-cycle engines. A safety locknut assembly is provided. Always use it. This will prevent the propeller from flying off in the event of a "backfire", even if it loosens.
- If you fit a spinner, make sure that it is a precision made product and that the slots for the propeller blades do not cut into the blade roots and weaken them.
- Discard any propeller which has become split, cracked, nicked or otherwise rendered unsafe. Never attempt to repair such a propeller: destroy it. Do not modify a propeller in any way, unless you are highly experienced in tuning propellers for specialized competition work such as pylon-racing.
- Use an electric starter for this engine. The wearing of safety glasses is also strongly recommended.
- Take care that the glow plug clip or battery leads do not come into contact with the propeller. Also check the linkage to the throttle arm. A disconnected linkage could also foul the propeller.



# NOTES

- **Adjust the throttle linkage so that the engine stops when the throttle stick and trim lever on the transmitter are fully retarded. Alternatively, the engine may be stopped by cutting off the fuel supply. Never try to stop the engine physically.**
- **Take care that loose clothing (ties, shirt sleeves, scarves, etc.) do not come into contact with the propeller.  
Do not carry loose objects (such as pencils, screwdrivers, etc.) in a shirt pocket from where they could fall through the propeller arc.**
- **Do not start your engine in an area containing loose gravel or sand.  
The propeller may throw such material in your face and eyes and cause injury.**
- **For their safety, keep all onlookers (especially small children) well back (at least 20 feet or 6 meters) when preparing your model for flight. If you have to carry the model to the take-off point with the engine running, be especially cautious. Keep the propeller pointed away from you and walk well clear of spectators.**
- **Warning! Immediately after a glowplug-ignition engine has been run and is still warm, conditions sometimes exist whereby it is just possible for the engine to abruptly restart if the propeller is casually flipped over compression WITHOUT the glowplug battery being reconnected. Remember this if you wish to avoid the risk of a painfully rapped knuckle!**

---

## INTRODUCTION

This engine is the MAX-140RX-FI (fuel injection) engine equipped with a revolutionary fuel supply system that was jointly developed by Futaba, a manufacturer of Radio control equipment, and Ogawa Seiki, a manufacturer of model engines.

This system detects engine speed with a sensor based on throttle signals transmitted from a transmitter. It then determines the fuel injection volume based on the required amount of fuel to be supplied for that engine speed as calculated by an electronic control unit referred to as the "EC-1", after which fuel is injected into the engine from an injector. In addition, adjustments can also be made using dials on the transmitter. The result is an F3A competition engine that features excellent engine speed linearity relative to throttle operation under all types of flight conditions.

---

## FEATURES

### **Supplies the Proper Amount of Fuel at all Times**

- Easier starting
- Greater stability during idling
- Excellent linearity and response relative to stick operation.

### **Simple Adjustment Using Dials on the Transmitter**

- Air-fuel mixture at medium and high speeds can be safely and easily adjusted from the transmitter.
- Adjustments can be made while on the ground and during flight.

### **Stable Supply of Fuel at all Times**

Pressurized fuel is controlled at a constant pressure with respect to all types of movement during flight allowing stable engine performance at all times.

### **Light Weight and Easy Installation**

The sensor and injector mounted on the engine are both compact and lightweight, while the electronic control unit (EC-1) is also lightweight, enabling various connections to be made easily the same as plugging in a servo.

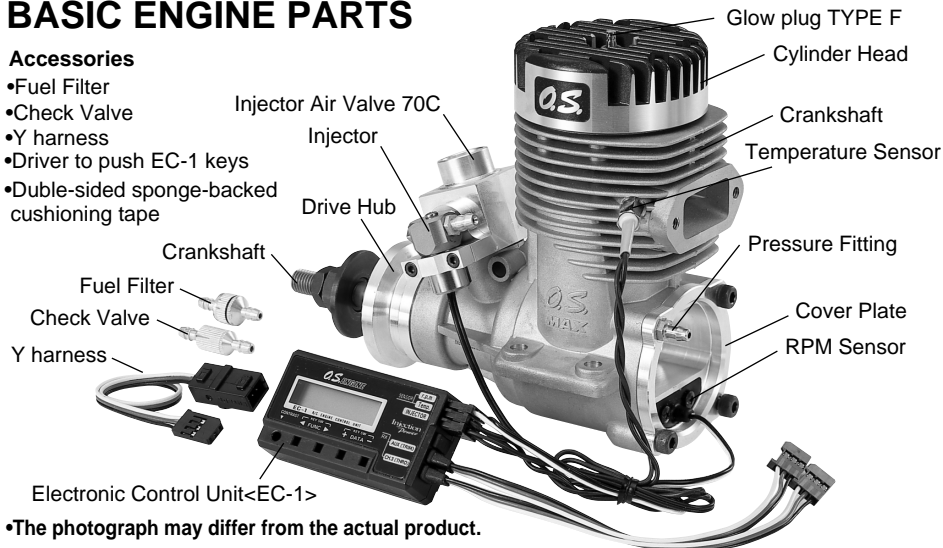
### **Monitoring of Flight Status**

Maximum engine speed and maximum temperature during flight can be viewed on the liquid crystal display of the electronic control unit (EC-1) following completion of the flight, making it possible to use that data for future reference.

# BASIC ENGINE PARTS

## Accessories

- Fuel Filter
- Check Valve
- Y harness
- Driver to push EC-1 keys
- Duble-sided sponge-backed cushioning tape



•The photograph may differ from the actual product.

## INSTALLATION OF THE AIR VALVE

As delivered, the engine has its air valve lightly fitted into its intake boss. Secure it as follows.

1. Loosen the retainer nut, rotate the air valve to its correct position and make sure that it is pressed well down into the intake boss, compressing the rubber gasket, before retightening nut.
2. Rotate the retainer nut gently until it stops, then tighten a further 90-120°.  
Do not overtighten the screw as this will damage the thermo insulator.

### Injector

**\* Never attempt to disassemble the injector.  
It may not be able to be reassembled.**

The injector consists of a solenoid valve with built-in regulator. It controls pressurized fuel at a constant pressure and accurately injects fuel based on signals from the electronic control unit (EC-1).

### Temperature Sensor

This measures the temperature of the engine exhaust unit.

### RPM Sensor

The RPM sensor is provided with a power generating sensor. When the crankshaft passes in front of the sensor, the signal that is generated is transmitted to the electronic control unit (EC-1). Engine speed is then calculated based on that signal which is then used to determine the timing at which fuel is injected.

### Electronic Control Unit<EC-1> (abbreviated as simply EC-1)

The EC-1 transmits fuel injection signals to the injector to ensure the proper amount of fuel injection based on basic fuel injection data that has been previously entered and constantly changes with position of throttle stick. In addition, engine speed and engine temperature during operation are displayed on the liquid crystal display.

### Check Valve

This one-way valve's function is to pressurize the fuel tank by crankcase pressure and prevent fuel from returning to the engine crankcase.

### Fuel Filter

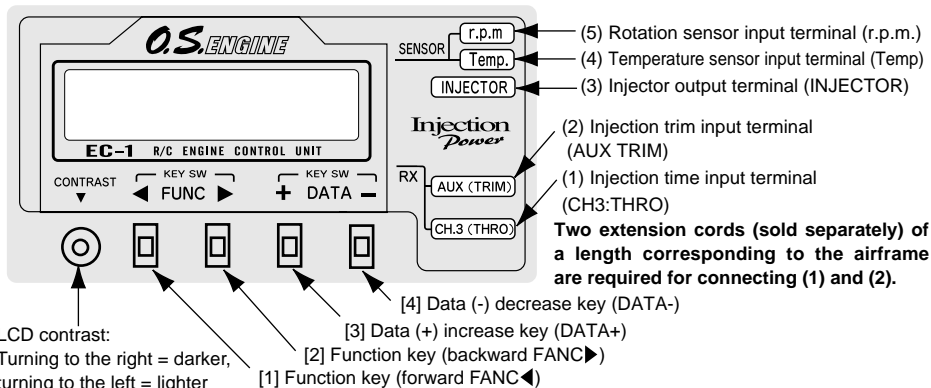
This fine mesh filter prevents foreign matter from plugging the small injector valve.

### Y harness

This cord is used to connect the receiver (throttle channel), throttle servo and EC-

# CONNECTING WITH THE EC-1

Connect the receiver and servo-related components (rudder section) in the same manner as in the past.



## (1) Injection Time Input Terminal (CH3 THRO)

Connect the y harness provided with the CH3 THRO input terminal to throttle channel (3) of the receiver (throttle: CH3), connect the wiring connector from the throttle servo to one of the double-opening connectors on the opposite side, and connect the other double-opening connector to CH3:THRO of EC-1.

(Use the separately sold extension cord if the wiring cords are too short.)

## (2) Injection Trim Input Terminal (AUX TRIM)

Connect a spare channel for dial use of the receiver (e.g. channel 7) to the AUX:TRIM terminal.

(Use the separately sold extension cord if the wiring cords are too short.)

## (3) Injector Output Terminal

Connect the injector connector to the injector output terminal. Protect the lead wire with a heat-resistant tube, etc. if it makes contact with the engine mount.

## (4) Temperature Sensor Input Terminal

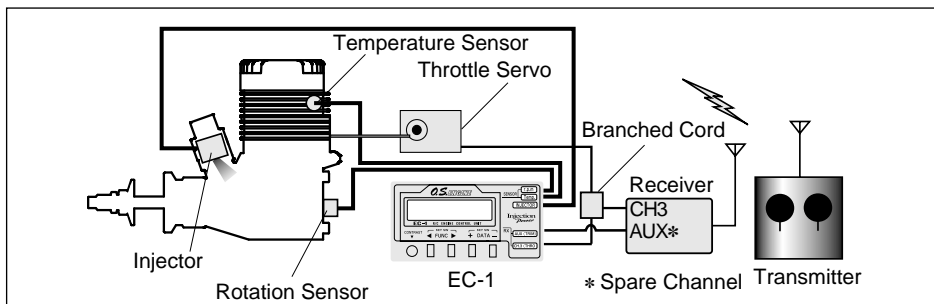
Connect the temperature sensor connector to the temperature sensor input terminal.

## (5) Rotation Sensor Input Terminal

Connect the rotation sensor connector to the rpm input terminal.

### Note:

**Soft mounts may become soft due to excessively high temperatures leading to increased vibration amplitude of the engine. Make connections so that the lead wire does not make contact with the engine mount, manifold or airframe under any conditions.**

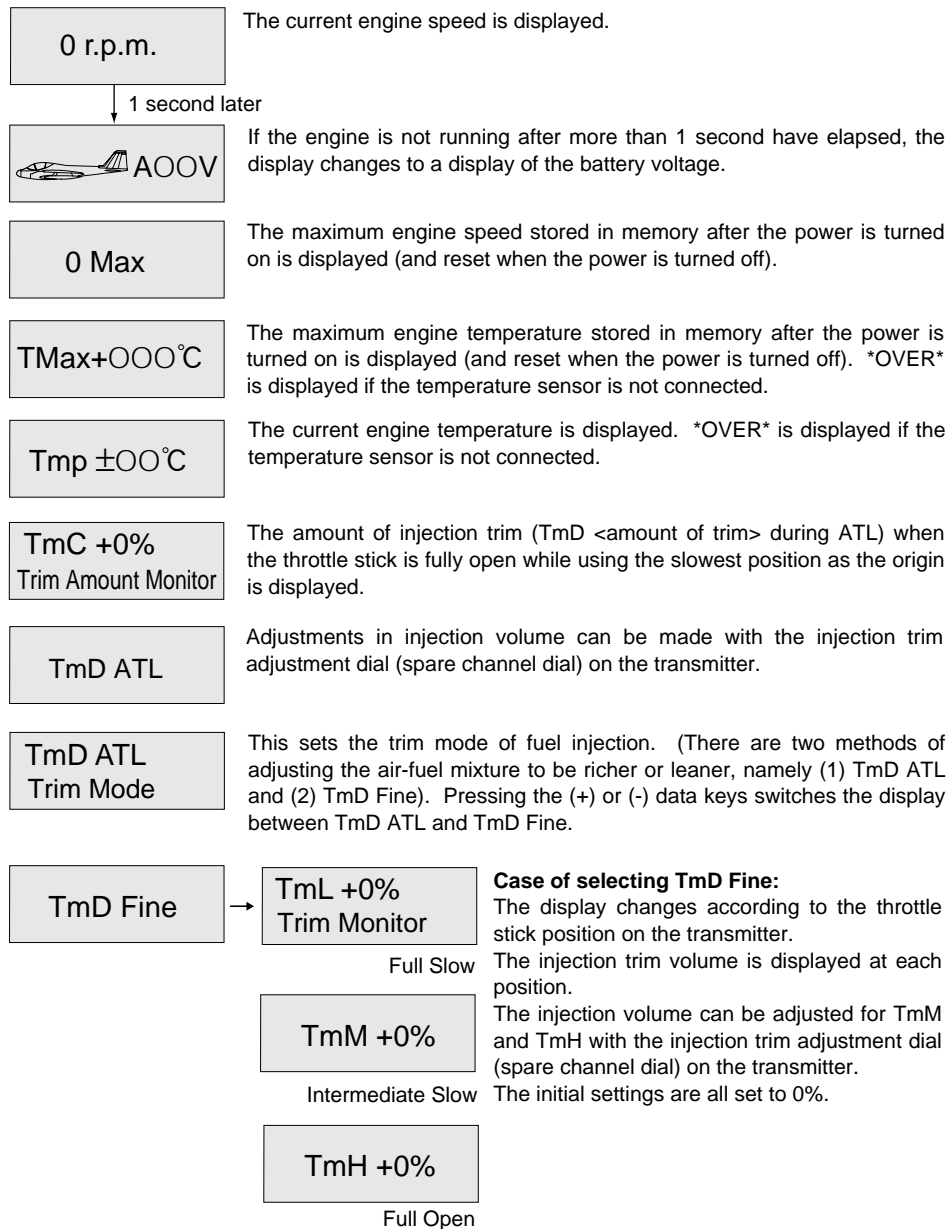




# EC-1 DISPLAYS AND EXPLANATIONS

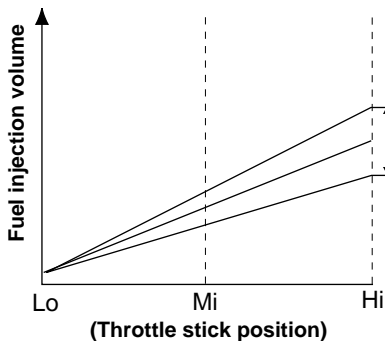
When the power supplies of the transmitter and receiver are turned on and function key ◀ is pressed with a pressing rod (non-metallic rod), the LCD display changes in the manner shown below. (The display changes in the opposite order when function key ▶ is pressed.)

## Power ON



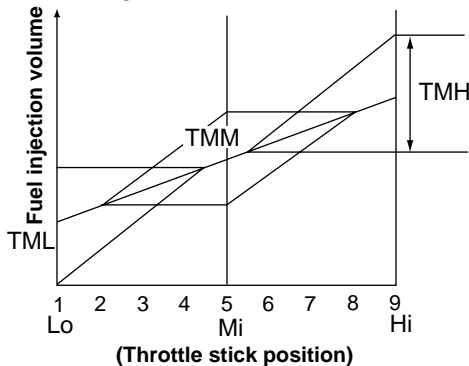
## Explanation of TmD ATL and TmD Fine

### TmD ATL



This adjustment mechanism allows adjustment of a single trim point using the slow position as the origin. Adjustment uses the injection trim adjustment dial (spare channel dial) on the transmitter. There is no change at Lo (slow position) while the trim volume reaches a maximum at Hi.

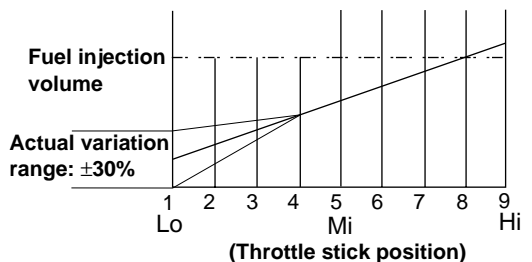
### TmD Fine



Injection trim can be adjusted independently for three points (TmL, TmM and TmH) as shown in the graph. Mi (intermediate slow TmM) and Hi (full high TmH) are adjusted with the injection trim adjustment dial (spare channel dial) on the transmitter. Lo (full slow TmL) is adjusted on the TRL menu displayed following the function menu.

### TRL +0%

This refers to the idle injection volume adjustment trim, and the initial value  $\pm 0\%$  is displayed. Pressing the data (+) key increases the injection volume, while pressing the data (-) key decreases injection volume. The flow slow injection adjustment volume is displayed as  $\pm$  the adjustment volume.



### Bat OOV

This displays the battery voltage. "Low Battery" is displayed when the battery voltage decreases to 3.8 V.

### Lmt Low

This is used to set the control range of fuel injection time.

## List of 140RX-FI Usage Conditions

Part	Manufacturer	Name	Remarks
Exhaust manifold	O.S.	*For the 140RX	
Tuned silencer	O.S.	*T-6010	
Glow plug	O.S.	*Type F	
Propeller	Commercially available high-quality product	General references: *16x14(2 blades) 15x12(4 blades) 15x13.5(3 blades) 15x14(3 blades)	Mid-range engine speed should be approximately 6,500 rpm. Maximum speed should be between 7,300 and 8,000 rpm.
Fuel	Commercially available high-quality product	10-25% nitromethane 15-20% oil	Adjustment may vary slightly according to the amounts of nitromethane and oil.
Transmitter	FUTABA FUTABA JR JR JR	*1024ZA FF8A PCM10S PCM10X X3810	Spare channel dial (used at 100% by canceling mixing and expo, etc. when used alone.  Only Z connectors can be used (check whether polarity matches).
	SANWA	STYLUS	
Aircraft			For 2m class F3A

The contents of the user's manual are based on those products indicated with an asterisk (\*).

## Installation Procedure

Install the 140RX FI while taking the following matters into consideration.

### (1) MAX-140RX FI Engine

The following components are required during installation: EC-1, y harness, check valve, fuel filter, manifold (sold separately), T-6010 silencer (sold separately), extension cord (sold separately), double-sided, sponge-backed cushioning tape.

### (2) Engine Mount

A soft engine mount is recommended but should be made of firm enough material to prevent excessive engine movement but still minimize engine vibration. If engine vibration is excessive the opening angle of the air valve may vary causing unstable engine operation and possible stalling. In addition, adequate clearance must be provided to ensure there is no contact between the injector, temperature sensor and rotation sensor with the airframe.

### (3) Fuel Tank and Lines

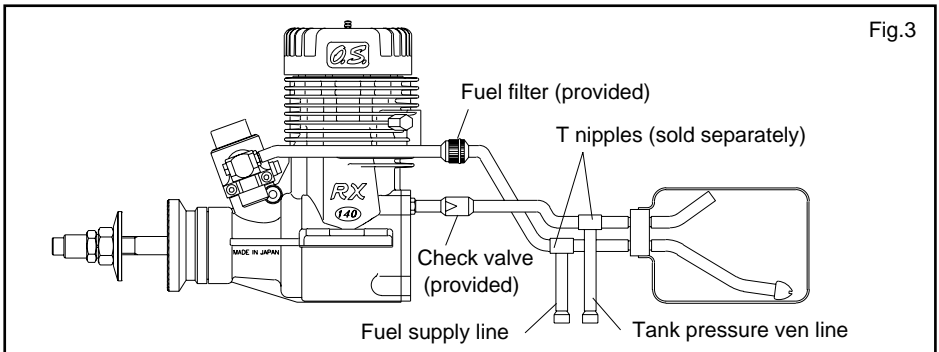


Fig.3

Connect all lines securely as shown in the figure above. Since high pressure is applied to the fuel tank from the engine crankcase, make connections using a commercially available, thick-walled silicon tube. In addition, make sure to securely seal the area around the cap. If the outlet of the T nipples is left accessible from outside the airplane, it will make venting tank pressure and refueling easier. Always make sure to use the check valve and fuel filter provided.

- Make connections in the following order: Engine (carburetor nipple), check valve (provided), T nipple and fuel tank (air chamber side)
- Make connections in the following order: Injector, fuel tank (provided), T nipple and fuel tank (weighted side)

#### NOTE:

**Always make sure to release any pressure remaining in the tank when adding fuel and following engine operation.**

Silicon tubing is easily damaged by sharp objects that can lead to the formation of holes and cracks. Check the surrounding area of the presence of potentially harmful sharp objects.

### (4) Exhaust Manifold

A manifold exclusively for OS use is available. Make sure air flows smoothly by giving consideration to the air intake and outlet so that warm air does not accumulate in the engine and muffler cowling. In the case of using another manifold, make sure that the inner diameter and length are the same as those of the OS manifold.

### (5) Tuned Silencer

A tuned silencer is available for use with the OS MAX-140RX and 140RX FI. Always make sure to use the genuine T-6010 silencer.

### (6) EC-1

Install the EC-1 in a location that is not susceptible to the effects of heat, fuel or vibrations while allowing easy manipulation. Always make sure to attach double-sided, sponge-backed cushioning tape or Velcro tape between the airframe and EC-1 as measures against vibrations.

---

## Linkage and Initial Settings

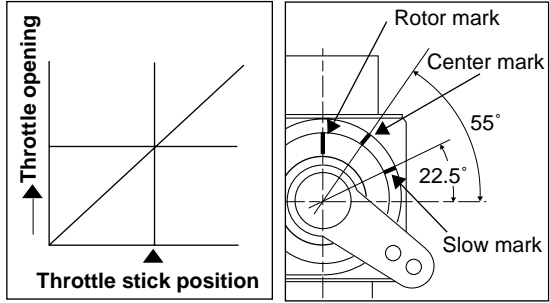
Ensuring a proper linkage is important in the 140RX FI system in terms of a proper air-fuel mixture. In other words, it is necessary to maintain the proper relationship between opening of the air valve (stick position) and fuel injection by the injector.

Call up the ATV menu on the condition menu and select THR.

Confirm that it is in the center of the throttle curve when the stick is in the center position.

Then align the mark in the center of the air valve at that point.

The center of the curve is the center, and if the stick is shifted out of position, give priority to the center of the throttle curve.



Make the settings according to the procedures described below.

**(1) Transmitter Trim Adjustment**

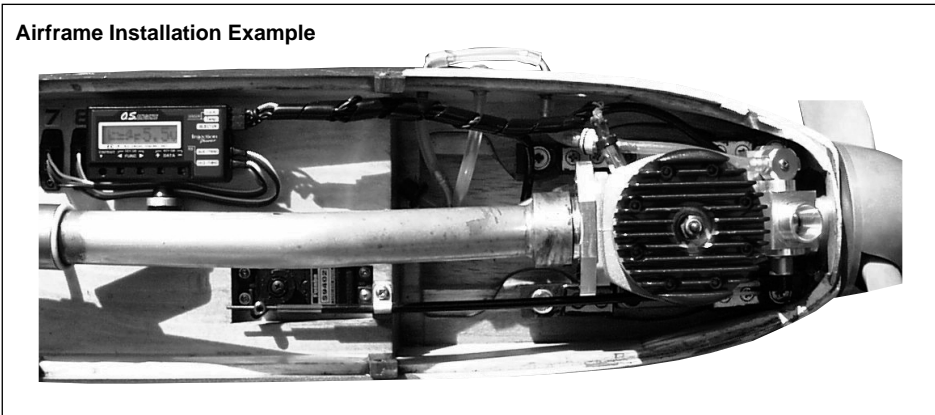
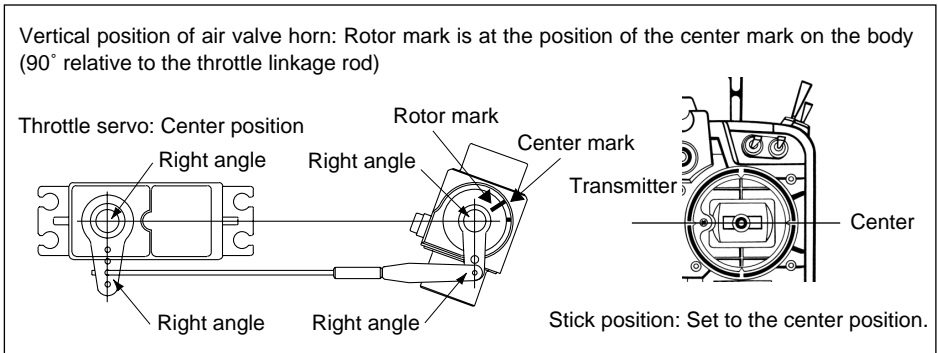
Adjust the throttle trim on the transmitter to 0.

**(2) Confirmation of Amount of Throttle Angle**

Set the angle adjustment of all throttle channels (ATV AFR) to 100%. Set mixing of the throttle curve, expo channel and so forth to off (0), and set the throttle trim in the center.

**(3) Throttle Servo and Air Valve Linkage Method**

Align the throttle stick on the transmitter at the center position as shown in the figure. Accurately align the throttle servo and air valve sections as shown in the figure.



#### (4) Adjustment of Amount of Throttle Servo and Air Valve Angle

Move the throttle stick on the transmitter to slow and then full high. If there is excessive or insufficient opening of the air valve, adjust the opening with the throttle angle adjustment function (ATV). Confirm that the servo is not subjected to an excessive load due to tugging or pulling. An excessive load on the servo can cause the battery to discharge and air valve to lock.

#### (5) Engine Cutoff Adjustment

When using a transmitter equipped with an engine cutoff function, switch the transmitter to the engine cutoff position and adjust the air valve so that it is fully closed at that time. Confirm that the servo is not subjected to an excessive load due to pulling.

#### (6) Confirmation of Throttle and Air Valve Operation

When the stick is in the slow position: The rotor mark should be located at the slow mark of the body. When the stick is in the center position: The rotor mark should be located at the center position of the body. When the stick is in the full high position: The air valve should be fully open. Recheck these positions.

#### (7) Lmt Setting

The movement of engine control has considerable significance with respect to the injection operation. Since there may be errors in operation depending on the direction and movement always make sure to perform the Lmt setting.

- Turn on the power switch and press the ► function key on the EC-1 to display the Lmt Low display.
- First move the throttle stick on the transmitter to the full slow position and then press either the data (+) key or data (-) key once. The display changes from Lmt□ Low to Lmt High.
- Next, move the throttle stick to the full high position and press either the data (+) key or data (-) key once. Lmt□ Low is displayed. Repeatedly move the throttle stick between the slow and fully high positions and confirm the display of the □ mark. This completes the setting procedure. The settings are stored in the memory of the EC-1. Memory contents remain intact even if the power is turned off.

(Repeat steps (1) through (7) when the throttle linkage has been changed.)

---

## Engine Starting and Air-Fuel Mixture Adjustment

- (1) Turn on the power of the transmitter and then turn on the power of the receiver.
- (2) Press the function key on the EC-1 and display the limits. Confirm that Lmt□ Low is displayed when the throttle stick is in the full slow position, and that Lmt□ Low is displayed when in the full high position.
- (3) Confirm that the rotor mark on the air valve is located at the center mark on the air valve body when the throttle stick on the transmitter is in the center position.  
(When the settings of (2) and (3) are unable to be made, repeat linkage of the throttle servo and air valve as well as the initial settings.)
- (4) Check that the injection trim is at +0%. After confirming that the dial of the injection trim adjustment function (spare channel dial) is at the 0 position (center position), display TMD ATL of the trim mode of the EC-1, and press either the data (+) key or data (-) key to switch to TMD Fine.

#### Note:

**This injection system was developed for use in model airplanes. All adjustments are not performed automatically. Always make sure to check all adjustments prior to use.**

---

## Engine Starting

(1) Always be sure to close the throttle stick to idle position before applying the starter and starting battery. (Do not attempt to start the engine manually since this is potentially dangerous.) After the engine has started, gradually move the throttle stick on the transmitter to the full high position. Then gradually move the throttle stick to the full slow position and disconnect the plug heater. Again move the throttle stick to the full high position and check the engine speed.

Adjust the injection trim volume with the injection trim adjustment dial (spare channel dial) so that engine speed stabilizes at around 7,600 rpm (this may vary slightly depending on the propeller used). Adjust the air-fuel mixture in the rich direction if the TmM TmH display on the EC-1 is (+), or in the lean direction if the display is (-). The contents of the adjustment are instantaneously stored in memory. Move the stick to the slow position. At this time, return the injection trim adjustment dial (spare channel dial) to the center (0) position.

(2) Put the throttle stick in the center position. After a short time (5-10 seconds), check the engine speed. Adjust the injection trim volume with the injection trim adjustment dial (spare channel dial) so that engine speed stabilizes in the vicinity of 6,500 rpm (this may vary depending on the propeller used). The contents of the adjustment are instantaneously stored in memory.

(3) Put the throttle stick in the full slow position. Return the injection trim adjustment dial (spare channel dial) to the center (0) position. Adjust the throttle trim so that engine speed at full slow stabilizes in the vicinity of 1,800 rpm.

**There is hardly any need to adjust fuel injection volume during full slow. (The initial fuel injection volume can be used without modification unless engine speed is especially unstable.) If engine speed is unstable, press the function key on the EC-1 and display TRL +0%. When desiring to make the air-fuel mixture richer, press the data (+) key to increase the injection volume. Conversely, if desiring to make the air-fuel mixture leaner, press the data (-) key to decrease the injection volume.**

**These increases or decreases are display as  $\pm \text{○○}$  %. Since these adjustments are stored in memory even if the power is turned off, it is not necessary to make these adjustments for every flight.**

(4) Reconfirm whether engine speed reliably responds to throttle operation at all speeds, and whether the throttle stick responds from slow operation to quick operation. Adjustments are satisfactory if engine speed remains stable.

### Note:

**Injection trim adjustment during TmD Fine uses the same adjustment dial for both intermediate slow and high. (The use of an incremental system allows the same dial to be used for both.) If adjustment is still not adequate when the dial is turned all the way to the right or left during adjustment, temporarily move the throttle stick to the full slow position and move the dial to the center (0) position. This also allows adjustment of the air-fuel mixture. The injection trim volume at intermediate slow and full high do not change even if the adjustment trim dial is moved with the throttle stick in the full slow position. In the case of a new engine, start adjustment of injection trim volume on the rich side and then readjust after making 2 or 3 flights.**

General reference for engine speed	Case of a 16 x 14, 2-blade propeller	Case of a 15 x 13.5, 3-blade propeller
Full slow engine speed	1,700~1,800r.p.m.	1,700~1,800r.p.m.
Intermediate slow engine speed	6,400~6,600r.p.m.	6,400~7,000r.p.m.
Full high engine speed	7,300~8,000r.p.m.	7,300~7,900r.p.m.

**Note:**

**The engine speed will not be the same depending on propeller variations, engine mounting method, linkage method between the throttle servo and air valve, and differences in the fuel used.**

If the engine speed is quite different from those shown above, it may mean that the setting for the throttle servo and air valve linkage is incorrect or the fuel injection trim volume has changed considerably. Check these items by returning to the procedure for readjustment.

**Note:**

- **When engine speed is abnormally high, always make sure to stop the engine and inspect the problem since this can cause damage to the engine.**
- **In cases when there are considerable temperature changes during the course of a day such as in the spring and autumn, the fuel injection volume may not be able to keep with engine performance to a certain extent. If this happens, readjust the injection trim adjustment dial (spare channel dial) before further use.**

## Post-Operation Menu

Following the completion of a flight, engine flight status can be confirmed by pressing the function key without turning off the power of the receiver. This information can be used as flight data. This data is erased when the power is turned off.

Maximum Temperature Display

TMax 000°C

Maximum Engine Speed Display

0,000 Max

## Flight Adjustment

The next step is to take the airplane on an actual flight. The Fine adjustment mode is used for making flight adjustments. Switch the ATL to Fine. Although this adjustment has already been made, recheck the limit Lmt  Low and  marks and whether they are set to Fine.

Put the throttle stick in the slow position and after starting the engine and allowing it to warm up, check the stability of engine speed in the slow position (by confirming that the engine does not stall) and try flying the airplane.

After taking off, fly level for several minutes. Next, repeat flying level in a straight line at full speed. (This is one way to check the difference in engine speeds when on the ground and in flight.) If it appears that engine speed fluctuates while flying straight, this indicates that excessive fuel is being supplied to the engine. Turn the injection trim adjustment dial (spare channel dial) in the (-) lean direction by about 15° (about 3 clicks) with the throttle stick in the full high position. Then repeat flying straight in the same manner as before. Repeat this adjustment procedure until engine speed has stabilized. (The engine speed will not change immediately after the air-fuel mixture has been changed. Fly the airplane straight several times to confirm that engine speed has become stable.) When flying straight as described above, fly both into the wind and with the wind. Adjustment is completed when there are no disturbances in engine speed when flying level.



If the engine produces a higher pitch sound immediately after taking off or if the engine appears to lose power and exhaust cannot be seen at all (although varying somewhat depending on the fuel), turn the injection trim adjustment dial (spare channel dial) in the (+) rich direction by about 45° with the throttle stick in the full high position and reconfirm engine operation by continuing to fly for 3-4 minutes. (When this is difficult to evaluate, land the airplane and recheck engine speed with the throttle stick in the center and full high positions.) When there is still no change even when the above adjustment has been made, land the airplane and try readjusting from the first step of the adjustment procedure. This completes the adjustment procedure.

Once adjustment has been completed, when the airplane is flown again, simply recall the TMD menu by pressing the function key. The display changes from the Fine menu to the ATL menu. (Fine adjustment data continues to be stored in memory.) Next, switch to the ATL adjustment menu. The function of the injection trim adjustment dial changes to that during Fine with full high corresponding to 100% (see the previous section on TmD ATL) based on full slow corresponding to the origin. It is recommended to use this menu during routine flights. Repeat the fine adjustment procedure described above whenever the propeller or fuel and so forth has been changed.

---

## GLOWPLUGS

Since the compatibility of glowplug and fuel may have a marked effect on performance and reliability, it may be worthwhile to choose the R/C type plug found most suitable after tests. Recommended O.S. plugs are TYPE F. Carefully fit plug finger-tight, before final tightening with the correct size plug wrench.

### The role of the glowplug

With a glowplug engine, ignition is initiated by the application of a 1.5-volt power source. When the battery is disconnected, the heat retained within the combustion chamber remains sufficient to keep the plug filament glowing, thereby continuing to keep the engine running. Ignition timing is 'automatic': under reduced load, allowing higher rpm, the plug becomes hotter and, appropriately, fires the fuel/air charge earlier; conversely, at reduced rpm, the plug become cooler and ignition is retarded.

### Glowplug life

Particularly in the case of very high performance engines, glowplugs must be regarded as expendable items.

However, plug life can be extended and engine performance maintained by careful use, i.e.:

- Fit a plug suitable for the engine.
- Use fuel containing a moderate percentage of nitromethane unless more is essential for racing events.
- Do not run the engine too lean and do not leave the battery connected while adjusting the needle.

### When to replace the glowplug

Apart from when actually burned out, a plug may need to be replaced because it no longer delivers its best performance, such as when:

- Filament surface has roughened and turned white.
- Filament coil has become distorted.
- Foreign matter has adhered to filament or plug body has corroded.
- Engine tends to cut out when idling.
- Starting qualities deteriorate.

---

## Care After Use

- First vent the pressure from the fuel tank. Next, drain any fuel in the fuel tank. Turn on the transmitter and receiver switches but do not heat the plug. Move the transmitter engine control lever to the center position without heating the plug, and then turn the engine over with the electric starter several times. (This is done to discharge any fuel between the tank and the injector.) Pour a little maintenance oil or lubricant substance in from the air valve and turn over the engine with the starter several times.
- In order to maintain the engine in the optimum state, it is important to vent any residual gas generated during engine operation as quickly as possible. In addition, since this engine uses a manifold and tuned silencer, residual gas may be present in these components as well. It is recommended to remove the tuned silencer after use and store it.
- Connectors and leads are arranged in the engine compartment. They be soiled with dust or other debris. (This can cause a malfunction.) Clean these components to prevent them from becoming soiled as much as possible. Do not use paint thinner, gasoline or other cleaners that erode plastic when cleaning.

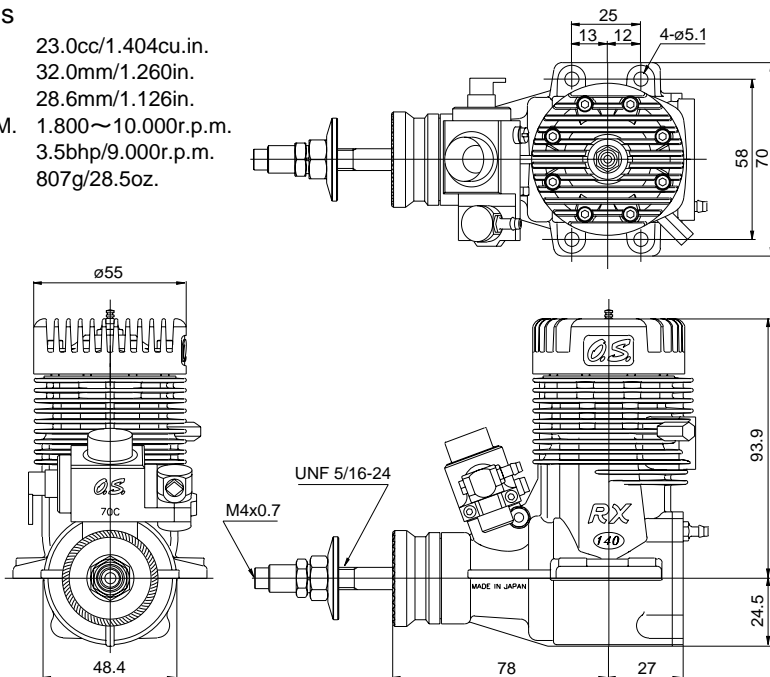
# Troubleshooting

Problem	Confirmation
<b>Engine does not start</b>	<ul style="list-style-type: none"> <li>• Is the power turned on?</li> <li>• Are the connectors securely connected?</li> <li>• Is the lead wire broken?</li> <li>• Is the plug burned out?</li> <li>• Has Lmt been set?</li> <li>• Is engine speed displayed on the EC-1 when the engine is running?</li> <li>• Are abnormal values (<math>\pm 100\%</math>) displayed for LmL, LmM or LmH?</li> </ul>
<b>Engine operation is unstable at low speeds</b>	<ul style="list-style-type: none"> <li>• Are the rubber dampers of the engine soft mount too soft?</li> <li>• Are the rubber dampers of the soft mount damaged?</li> <li>• Is the throttle linkage sticking?</li> <li>• Is the linkage too weak causing it to be affected by vibrations?</li> <li>• Is the check valve normal?</li> <li>• Is the servo malfunctioning or is the servo mount loose?</li> </ul>
<b>Engine operation is unstable at high speeds</b>	<ul style="list-style-type: none"> <li>• Is the propeller size correct?</li> <li>• Is the engine running at 8,000 rpm or higher?</li> <li>• Is there an abnormality in the engine soft mount (cracked)?</li> <li>• When there are occasional disturbances in engine speed when the air-fuel mixture is rich at high speeds, there may be a problem with the temperature sensor. Is an abnormal temperature (300°C or higher) displayed for Tmax Tmp?</li> <li>• Is the filter clogged?</li> </ul>
<b>Engine stalls</b>	<ul style="list-style-type: none"> <li>• Are the rubber dampers of the engine soft mount too soft?</li> <li>• Are the rubber dampers of the soft mount damaged?</li> <li>• Has the plug deteriorated?</li> <li>• Is there any sticking or abnormalities in the linkage?</li> <li>• Is the oil content of the fuel correct?</li> <li>• Is the engine speed too low?</li> <li>• Is the check valve functioning properly?</li> <li>• Is the air control servo operating abnormally (hunting)?</li> <li>• If the sound of the engine remains unchanged when diving during flight and stick response is lost, this indicates that there is too much fuel being supplied to the engine. Try adjusting TmL or TmM in the (-) direction.</li> <li>• Is the air control linkage too weak so that the operation of the air valve either stops or is delayed relative to the operation of the servo? (Try using a thicker component for the linkage.)</li> <li>• Is the carburetor operating? (Check the carburetor retainer.)</li> </ul>

# THREE VIEW DRAWING Dimensions(mm)

## Specifications

■ Displacement	23.0cc/1.404cu.in.
■ Bore	32.0mm/1.260in.
■ Stroke	28.6mm/1.126in.
■ Practical R.P.M.	1.800~10.000r.p.m.
■ Output	3.5bhp/9.000r.p.m.
■ Weight	807g/28.5oz.



## O.S. GENUINE PARTS & ACCESSORIES

■ T-6010 TUNED SILENCER  
(72104200)



■ EXHAUST HEADER PIPE  
(72102100)



■ 5/16-M5 LOCK NUT SET  
(45910300)



■ O.S.GLOW PLUG  
TYPE F  
(71615009)



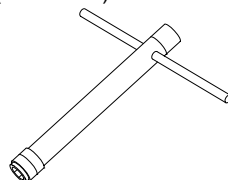
■ BUBBLESS  
WEIGHT  
(71531000)



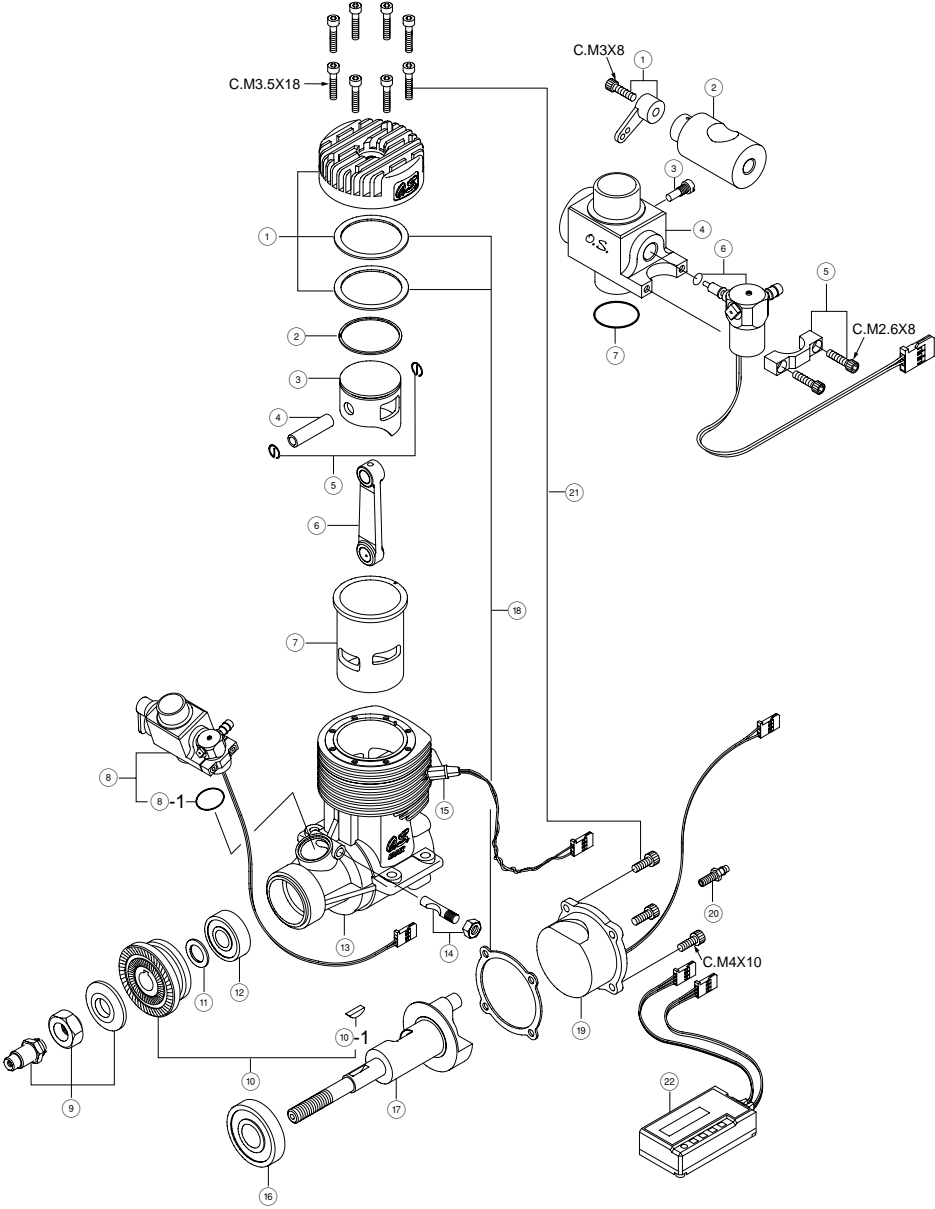
■ SUPER FILTER (L)  
(72403050)



■ LONG SOCKET WRENCH  
WITH PLUG GRIP  
(71521000)



# ENGINE & INJECTOR AIR VALVE EXPLODED VIEW



\*Type of screw

C...Cap Screw M...Oval Fillister-Head Screw F...Flat Head Screw N...Round Head Screw S...Set Screw

# ENGINE PARTS LIST

No.	Code No.	Description
①	2 9404 100	Cylinder Head
②	2 9403 400	Piston Ring
③	2 9403 200	Piston
④	2 9406 000	Piston Pin
⑤	2 8117 000	Piston Pin Retainer
⑥	2 9405 000	Connecting Rod
⑦	2 9403 100	Cylinder Liner
⑧	2 9483 010	Injector Air Valve Set (70c)
⑧)-1	2 9015 019	Gasket
⑨	4 5910 200	Lock Nut Set
⑩	2 9408 000	Drive Hub
⑩)-1	4 5508 200	Woodruf Key
⑪	4 5520 000	Thrust Washer
⑫	2 9431 000	Crankshaft Ball Bearing(Front)
⑬	2 9401 100	Crankcase
⑭	2 9081 719	Carburettor Retainer
⑮	2 9401 200	Temperature Sensor Set
⑯	2 9430 000	Crankshaft Ball Bearing(Rear)
⑰	2 9402 000	Crankshaft
⑱	2 9414 000	Gasket Set
⑲	2 9407 200	Cover Plate RPM Sensor Set
⑳	2 9407 300	Pressure Fitting
㉑	2 9213 000	Screw Set
㉒	7 4001 000	Electronic Control Unit (EC-1)
	7 1615 009	Glow Plug TYPE F
	7 2403 061	Check Valve
	7 2403 060	Fuel Filter

# INJECTOR AIR VALVE(70C) PARTS LIST

No.	Code No.	Description
①	2 7381 400	Throttle Lever Assembly
②	2 9483 210	Roter Valve
③	4 5581 820	Roter Guide Screw
④	2 9483 110	Injector Air Valve Body
⑤	2 9483 300	Injector Holder
⑥	2 9484 000	Injector Set
⑦	2 9015 019	Gasket

The specifications are subject to alteration for improvement without notice.





***O.S. ENGINES*** MFG.CO.,LTD.

6-15 3-Chome Imagawa Higashisumiyoshi-ku  
Osaka 546-0003, Japan TEL. (06) 6702-0225

FAX. (06) 6704-2722

<http://www.os-engines.co.jp>