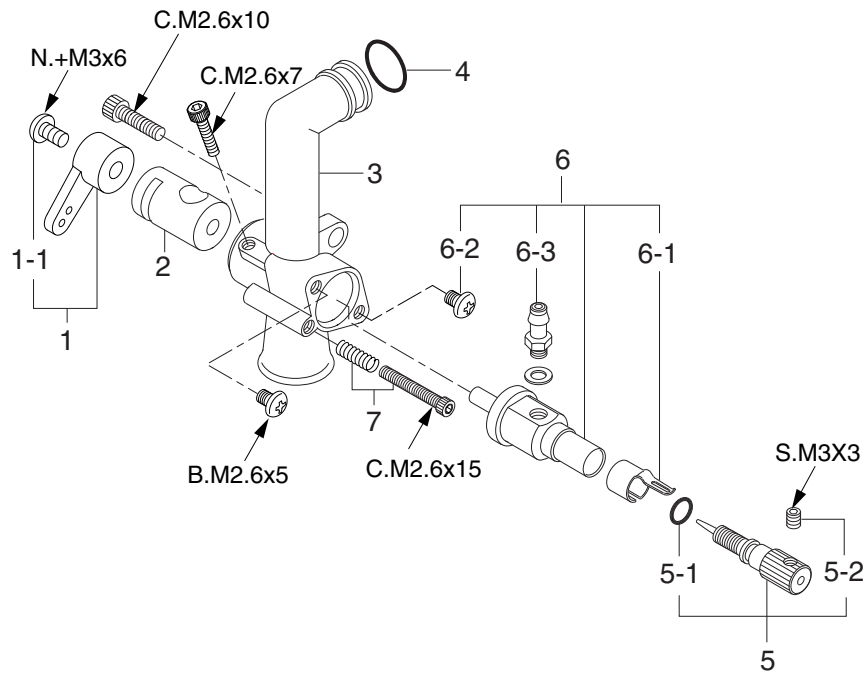


\*Type of screw  
 C...Cap Screw M...Oval Fillister-Head Screw  
 F...Flat Head Screw N...Round Head Screw S...Set Screw

| No. | Code No. | Description                                 |
|-----|----------|---|
| 1   | 44404200 | Rocker Cover                                |
| 2   | 45961400 | Rocker Support Assembly                     |
| 2-1 | 45961410 | Rocker Support                              |
| 2-2 | 45761600 | Rocker Arm Retainer (2pcs.)                 |
| 3   | 44753000 | Rocker Arm Assembly (1pair)                 |
| 3-1 | 44753100 | Rocker Arm (1pc.)                           |
| 3-2 | 45761200 | Tappet Adjusting Screw                      |
| 4   | 44460000 | Intake Valve Assembly (1pair)               |
| 4-1 | 44460100 | Intake Valve (1pc.)                         |
| 4-2 | 45960210 | Valve Spring (1pc.)                         |
| 4-3 | 45260350 | Valve Spring Seat (1pc.)                    |
| 4-4 | 46160400 | Valve Spring Retainer (2ps.)                |
| 5   | 44461000 | Exhaust Valve Assembly (1pair)              |
| 5-1 | 44461100 | Exhaust Valve (1pc.)                        |
| 5-2 | 45960210 | Valve Spring (1pc.)                         |
| 5-3 | 45260350 | Valve Spring Seat (1pc.)                    |
| 5-4 | 46160400 | Valve Spring Retainer (2ps.)                |
| 6   | 44404100 | Cylinder Head (W/Gasket)                    |
| 7   | 44404000 | Cylinder Head (W/Gasket and Valve Assembly) |
| 8   | 44481000 | Carburetor Complete (60W)                   |
| 9   | 44714100 | Head Gasket                                 |
| 10  | 44403000 | Cylinder & Piston Assembly                  |
| 11  | 45906000 | Piston Pin                                  |
| 12  | 44405000 | Connecting Rod                              |
| 13  | 44407009 | Cover Plate Retaining Screw                 |
| 14  | 44407000 | Cover Plate                                 |
| 15  | 44402000 | Crankshaft                                  |
| 16  | 44408100 | Drive Pin                                   |
| 17  | 44430000 | Crankshaft Ball Bearing (Rear)              |

| No.  | Code No. | Description                     |
|------|----------|---------------------------------|
| 18   | 44401000 | Crankcase                       |
| 19   | 44462000 | Camshaft                        |
| 20   | 44401100 | Cam Cover                       |
| 21   | 44701109 | Cam Cover Retaining Screw       |
| 22   | 44766000 | Push Rod (2pcs.)                |
| 23   | 44766100 | Push Rod Cover Assembly (2pcs.) |
| 23-1 | 44766110 | Push Rod Cover (1pcs.)          |
| 23-2 | 24881824 | Push Rod Cover "O" Ring (2pcs.) |
| 24   | 45664000 | Cam Follower (2pcs.)            |
| 25   | 44731000 | Crankshaft Ball Bearing (Front) |
| 26   | 44408000 | Drive Hub                       |
| 27   | 23209003 | Propeller Washer                |
| 28   | 44410000 | Lock Nut Set                    |
| 29   | 44425000 | F-4030 Silencer Assembly        |
| 29-1 | 44425100 | Silencer Body                   |
| 29-2 | 45926100 | Exhaust Header Pipe Assembly    |
| 29-3 | 45626030 | Manifold Nut (M11) (1pc.)       |
|      | 71615009 | Glow Plug Type F                |
|      | 29084610 | T Nipple (1pc.)                 |



\* Type of screw

C...Cap Screw M...Oval Fillister-Head Screw

F...Flat Head Screw N...Round Head Screw S...Set Screw

| No. | Code No. | Description                    |
|-----|----------|--------------------------------|
| 1   | 22081408 | Throttle Lever Assembly        |
| 1-1 | 22081313 | Throttle Lever Retaining Screw |
| 2   | 44481200 | Carburetor Rotor               |
| 3   | 44481100 | Carburetor Body                |
| 4   | 45915000 | Carburetor Rubber Gasket       |
| 5   | 22681980 | Needle-valve Assembly          |
| 5-1 | 24981837 | "O" Ring (2pcs.)               |
| 5-2 | 26381501 | Set Screw                      |
| 6   | 44481960 | Nozzle Assembly                |
| 6-1 | 26711305 | Ratchet Spring                 |
| 6-2 | 45281920 | Nozzle Retaining Screw (2pcs.) |
| 6-3 | 22681953 | Fuel Inlet (No.1)              |
| 7   | 44481310 | Air-bleed Screw                |

### O.S. GENUINE PARTS & ACCESSORIES

| Code No. | Description                                       |
|----------|---|
| 72200080 | Needle Valve Extension Cable Set                  |
| 72200110 | Booster Cable Set                                 |
| 72200130 | Booster Terminal Kit                              |
| 45810100 | Locknut Set                                       |
| 45810200 | Propeller Locknut Set (For Spinner)               |
| 45810300 | 1/4"-M5 Propeller Locknut Set For Truturn Spinner |
| 72108100 | Flexible Exhaust Pipe (1111A) (120mm)             |
| 72108110 | Flexible Exhaust Pipe (1111B) (240mm)             |
| 72108120 | Flexible Exhaust Pipe (1111C) (170mm)             |
| 72108130 | Flexible Exhaust Pipe (1111D) (330mm)             |
| 72109500 | EX Exhaust Header Pipe (Inside fuselage)          |
| 72109600 | EX Exhaust Header Pipe (Outside fuselage)         |
| 71531000 | Non-Bubble Weight                                 |
| 72403050 | Super Filter (L)                                  |
| 71521000 | Long Socket Wrench With Plug Grip                 |
| 72200060 | Valve Adjusting Tool Kit                          |
| 55500002 | M3 Lock Washer (10sets.)                          |
| 79870030 | M3 Blind Nut (10pcs./set)                         |
| 79871025 | M2.6x8 Cap Screw Set (10pcs.)                     |
| 79871030 | M2.6x10 Cap Screw Set (10pcs.)                    |
| 79871080 | M3.5x12 Cap Screw Set (10pcs.)                    |
| 79871100 | M3.5x20 Cap Screw Set (10pcs.)                    |